

- For further information, please go to www.mi.com
Manufactured for: Xiaomi Communications Co., Ltd.
Manufactured by: Dreame (Tianjin) Information Technology Co., Ltd. (a Mi Ecosystem company)
Address: Room 2112-1-1, South District, Finance and Trade Center, No.6975 Yazhou Road, Dongjiang Bonded Port Area, Tianjin Pilot Free Trade Zone, Tianjin, China
- Para más información, visite la página web www.mi.com.
Fabricado para: Xiaomi Communications Co., Ltd.
Fabricado por: Dreame (Tianjin) Information Technology Co., Ltd. (una compañía de Mi Ecosystem)
Dirección: Room 2112-1-1, South District, Finance and Trade Center, No.6975 Yazhou Road, Dongjiang Bonded Port Area, Tianjin Pilot Free Trade Zone, Tianjin, China
- Per ulteriori informazioni, visitare il sito www.mi.com
Fabbricato per: Xiaomi Communications Co., Ltd.
Fabbricato da: Dreame (Tianjin) Information Technology Co., Ltd. (una società Mi Ecosystem)
Indirizzo: Room 2112-1-1, South District, Finance and Trade Center, No.6975 Yazhou Road, Dongjiang Bonded Port Area, Tianjin Pilot Free Trade Zone, Tianjin, Cina
- Pour en savoir plus, rendez-vous sur le site www.mi.com.
Fabriqué pour: Xiaomi Communications Co., Ltd.
Fabricant: Dreame (Tianjin) Information Technology Co., Ltd. (une société Mi Ecosystem)
Adresse: Room 2112-1-1, South District, Finance and Trade Center, No.6975 Yazhou Road, Dongjiang Bonded Port Area, Tianjin Pilot Free Trade Zone, Tianjin, Chine
- Für weitere Informationen besuchen Sie bitte www.mi.com.
Hergestellt für: Xiaomi Communications Co., Ltd.
Hersteller: Dreame (Tianjin) Information Technology Co., Ltd. (ein Unternehmen von Mi Ecosystem)
Adresse: Room 2112-1-1, South District, Finance and Trade Center, No.6975 Yazhou Road, Dongjiang Bonded Port Area, Tianjin Pilot Free Trade Zone, Tianjin, China
- Дополнительную информацию см. на веб-сайте www.mi.com.
Изготовлено для: Сяоми Техкоммуникации Ко., Лтд. (Китай)
Изготовитель: Dreame (Tianjin) Information Technology Co., Ltd. (компания Mi Ecosystem)
Адрес: Room 2112-1-1, South District, Finance and Trade Center, No.6975 Yazhou Road, Dongjiang Bonded Port Area, Tianjin Pilot Free Trade Zone, Tianjin, China (Тяньцзинь, Китай)
- 詳細については、www.mi.com をご覧ください。
販売元：Xiaomi Communications Co., Ltd.
製造元：Dreame (Tianjin) Information Technology Co., Ltd. (Mi Ecosystem 企業)
所在地：Room 2112-1-1, South District, Finance and Trade Center, No.6975 Yazhou Road, Dongjiang Bonded Port Area, Tianjin Pilot Free Trade Zone, Tianjin, China
- A/5 가 필요하시면 구매처나 현지 공식 A/5 센터로 연락하거나 www.mi.com/kr/ 에 방문하여 확인하십시오.
의뢰업체：Xiaomi Communications Co., Ltd.
제조업체：Dreame (Tianjin) Information Technology Co., Ltd. (Mi 에코시스템 컴퍼니)
주소：Room 2112-1-1, South District, Finance and Trade Center, No.6975 Yazhou Road, Dongjiang Bonded Port Area, Tianjin Pilot Free Trade Zone, Tianjin, China
- Więcej informacji: www.mi.com
Wyprodukowano dla: Xiaomi Communications Co., Ltd.
Producent: Dreame (Tianjin) Information Technology Co., Ltd. (spółka Mi Ecosystem)
Adres: Room 2112-1-1, South District, Finance and Trade Center, No.6975 Yazhou Road, Dongjiang Bonded Port Area, Tianjin Pilot Free Trade Zone, Tianjin, Chiny
- للمزيد من المعلومات، يرجى الانتقال إلى موقع www.mi.com
الجهة المصنِّع لها: Xiaomi Communications Co., Ltd.
الجهة المصنِّعة: (إحدى شركات) Dreame (Tianjin) Information Technology Co., Ltd.
العنوان: Room 2112-1-1, South District, Finance and Trade Center, No.6975 Yazhou Road, Dongjiang Bonded Port Area, Tianjin Pilot Free Trade Zone, تيانجين، الصين
- Ga voor meer informatie naar www.mi.com
Geproduceerd voor: Xiaomi Communications Co., Ltd.
Geproduceerd door: Dreame (Tianjin) Information Technology Co., Ltd. (een Mi Ecosystem-bedrijf)
Adres: Room 2112-1-1, South District, Finance and Trade Center, No.6975 Yazhou Road, Dongjiang Bonded Port Area, Tianjin Pilot Free Trade Zone, Tianjin, China



Made in China

Mi Vacuum Cleaner G10 User Manual · 01

Manual de usuario de Mi Vacuum Cleaner G10 · 29

Manuale utente Mi Vacuum Cleaner G10 · 57

Manuel d'utilisation de Mi Vacuum Cleaner G10 · 85

Mi Handstaubsauger G10 Benutzerhandbuch · 113

Руководство пользователя Пылесоса Mi G10 · 141

Mi ハンディクリーナー G10 取扱説明書 · 169

Mi 무선청소기 G10 사용 설명서 · 197

Instrukcja obsługi odkurzacza Mi G10 · 225

Mi من G10 دليل مستخدم المكنسة الكهربائية · 253

Gebruikershandleiding Mi Stofzuiger G10 · 281



Safety Instructions

This product is for household use only. Read this manual carefully before use, and retain it for future reference.

This appliance can be used by children aged from 8 years and above and persons with reduced physical, sensory or mental capabilities or lack of experience and knowledge if they have been given supervision or instruction concerning use of the appliance in a safe way and understand the hazards involved. Children shall not play with the appliance. Cleaning and user maintenance shall not be made by children without supervision.

The appliance is only to be used with the power supply unit provided with the appliance.

The vacuum cleaner is not a toy. Children may not play with or operate this product. Please exercise caution when using the vacuum cleaner near children. Do not allow children to clean or maintain the vacuum cleaner unless supervised by a parent or guardian.

Only use the vacuum cleaner on dry indoor surfaces. Do not install, charge, or use this product outdoors, such as in bathrooms, or near a pool.

Do not touch the plug or any part of the vacuum cleaner with wet hands.

To reduce the risk of fire, explosion, or personal injury, check to make sure the lithium-ion battery and charger are undamaged before use. Do not use the vacuum cleaner if either the battery or charger is damaged.

The smart high torque brush bar, mini electric brush, battery, extension rod, and the vacuum cleaner are electrically conductive and should not be immersed in water or other liquid. Make sure all parts are thoroughly dry after you carry out cleaning on them.

To prevent injury caused by moving parts, turn off the vacuum cleaner before cleaning the smart high torque brush bar and mini electric brush. The smart high torque brush bar, dust compartment, and filter must all be properly installed before using the vacuum cleaner.

Safety Instructions

Only use the BLJ24W308080P-V battery charger provided with the appliance.

Only use the P2046-7S1P-BC/P2046-7S1P-BCA battery pack provided with the appliance.

If the charger or battery becomes damaged, it must be replaced with a genuine component purchased from the manufacturer or after-sales service department.

Do not use the vacuum cleaner to pick up flammable or combustible liquids, such as gasoline, bleach, ammonia, or drain cleaners; nor other liquids like water.

Do not use the vacuum cleaner to pick up drywall particles, ashes like fireplace ash, or smoking or burning materials such as coal, cigarette butts or matches.

Do not use the vacuum cleaner to pick up sharp or hard objects, such as glass, nails, screws, or coins, which may damage the product.

Keep hair, loose clothing, fingers, and other parts of the body away from the vacuum cleaner's openings and moving parts. Do not point the suction opening, extension rod, or other accessories at your eyes or ears or put them in your mouth.

Do not put any object into the vacuum cleaner's openings, nor use the vacuum cleaner with any opening blocked. Keep free of dust, lint, hair, or other items which may reduce airflow.

Do not rest the vacuum cleaner against a chair, table, or other unstable surfaces, as this may cause damage to the product or personal injury. If the vacuum cleaner malfunctions because of being knocked over or damaged, please contact the authorized service department. Never attempt to disassemble the vacuum cleaner on your own.

Only use the original charger to charge the product in environments with an ambient temperature of 0°C to 40°C. Otherwise, the battery may damage.

The dust compartment cover, pre-filter, cyclone assembly, and HEPA filter must all be properly installed prior to using the vacuum cleaner.

Make sure the vacuum cleaner is unplugged when not used for extended periods as well as prior to performing any maintenance or repairs.

Please be extra careful when using the vacuum cleaner to clean stairs.

Fire Hazard Warning: Do not apply any type of fragrance to the vacuum cleaner's filter. These types of products are known to contain flammable chemicals which may cause the vacuum cleaner to catch fire.

When Battery is not in use, keep it away from all metal objects, such as paper clips, coins, keys, nails, or screws. Shorting the battery terminals together increases the risk of fire or burns.

Under abusive conditions, liquid may be ejected from the battery. Avoid contact with liquid, as it may cause irritation or burns. If contact occurs, flush with water. If liquid contacts eyes, seek medical help.

DO NOT expose the battery and appliance to fire as it may cause explosion.

DO NOT expose or submerge the battery and appliance in any water, salt water, or other liquids.

Please strictly follow the instructions in this user manual when using the vacuum cleaner. Users are responsible for any loss or damage that may arise from improper use of the vacuum cleaner.

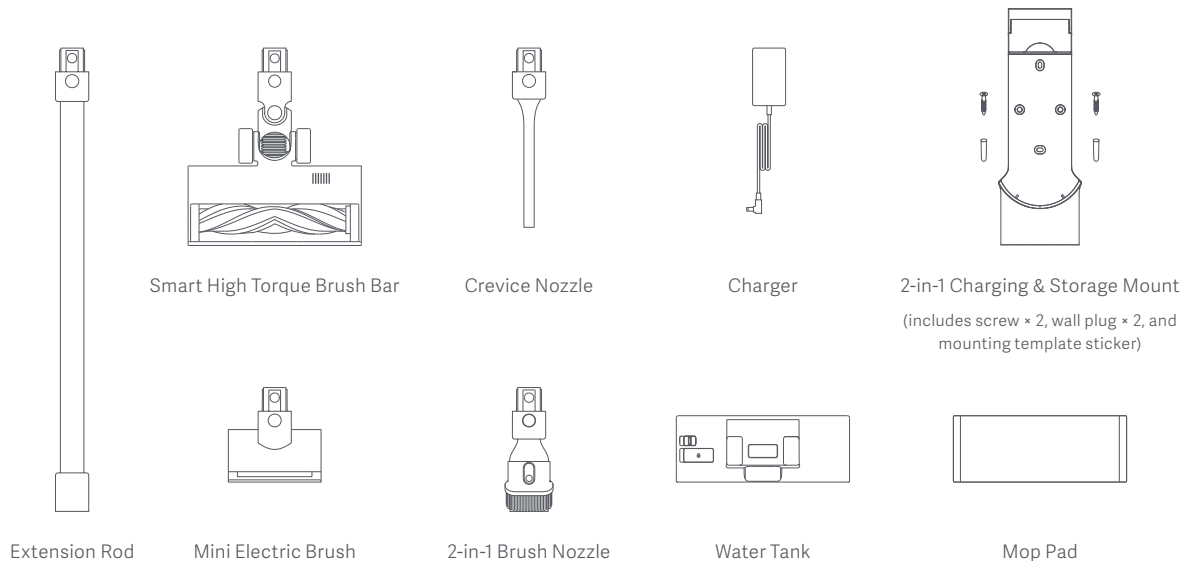
We Dreame (Tianjin) Information Technology Co., Ltd., hereby, declare that this equipment is in compliance with the applicable Directives and European Norms, and amendments. The full text of the EU declaration of conformity is available at the following internet address:

<http://www.mi.com/global/service/support/declaration.html>

For detailed e-manual, please go to www.mi.com/global/service/userguide

Product Overview

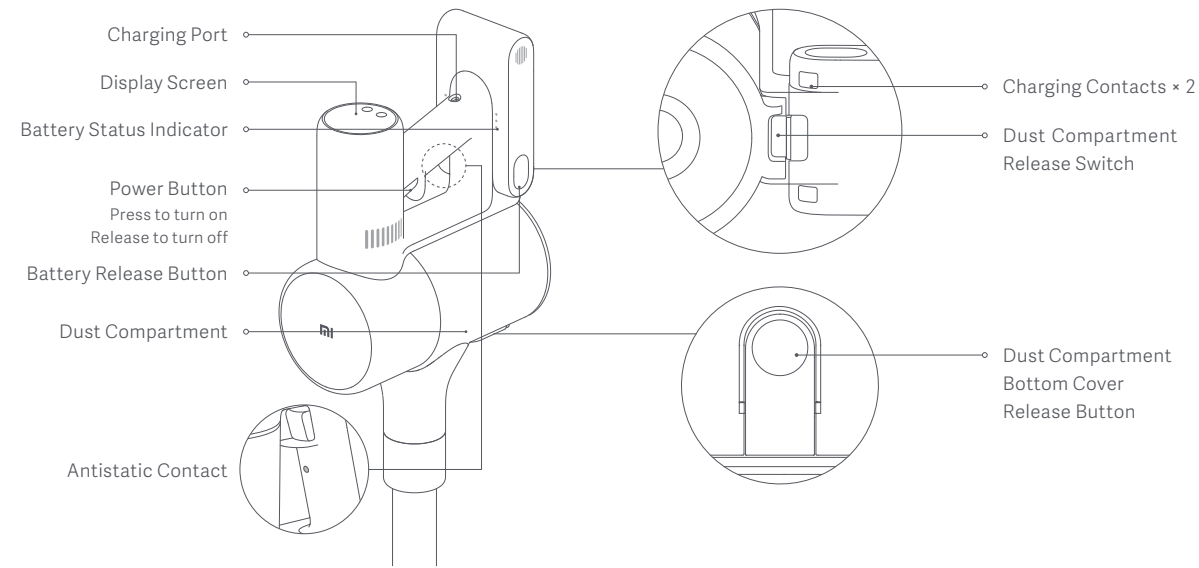
Accessories List



Note: Illustrations of product, accessories, and user interface in the user manual are for reference purposes only. Actual product and functions may vary due to product enhancements.

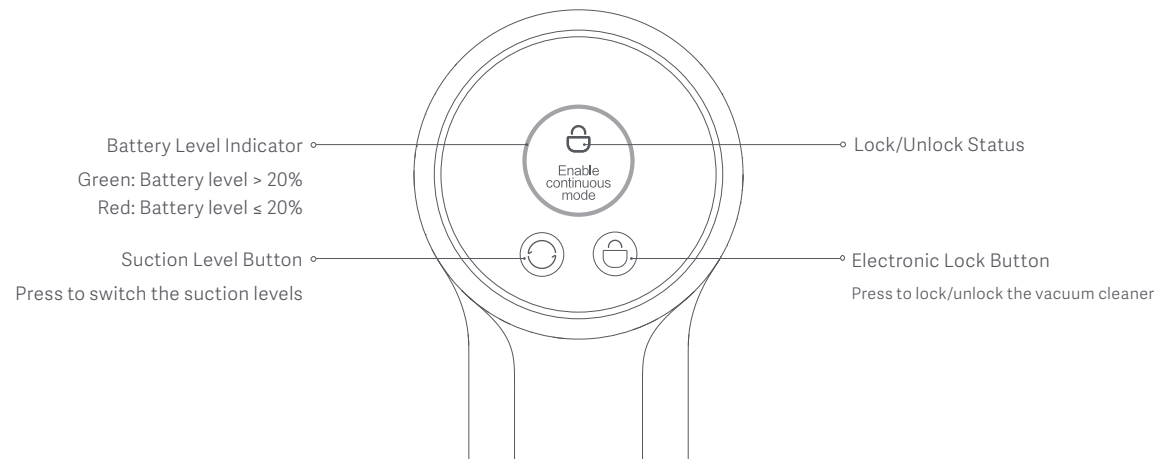
Product Overview

Component Name



Product Overview

Display Screen

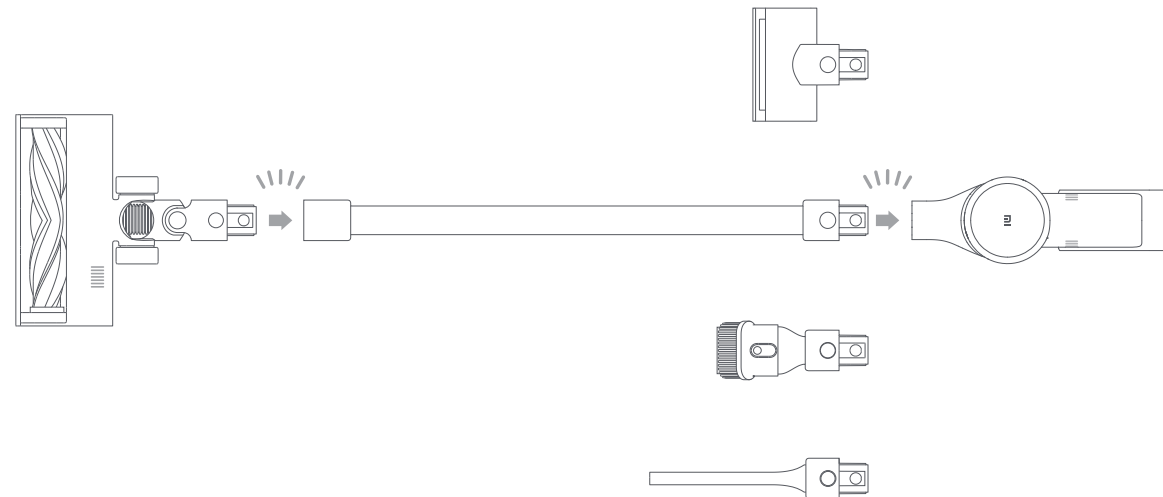


Note: If the vacuum cleaner experiences a malfunction, the display screen will show an error message. For a solution, please refer to the Troubleshooting section.

How to Install

Installing the Accessories onto the Vacuum Cleaner

 Insert until it clicks into place

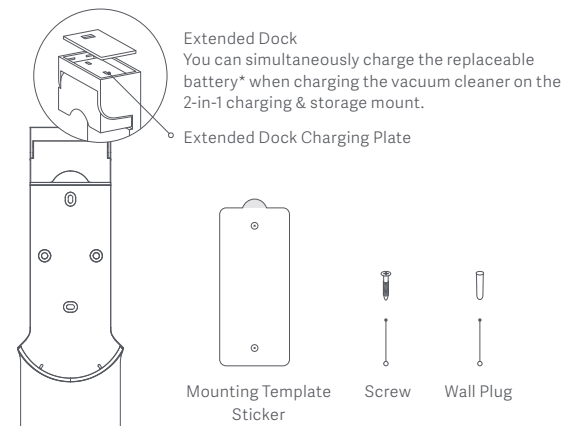


Note: Mini electric brush should not be used with the extension rod.

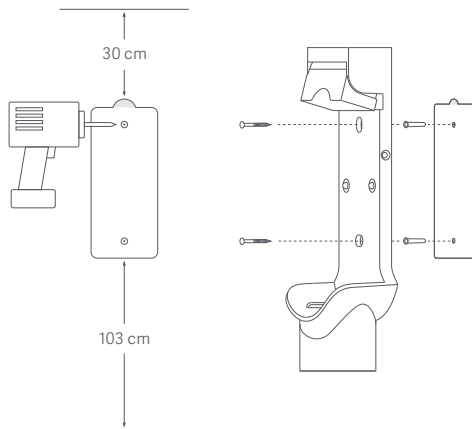
How to Install

Installing the 2-in-1 Charging & Storage Mount

1. The 2-in-1 charging & storage mount should be installed in a cool, dry place with an electrical outlet nearby. Prior to installing, ensure that there are not any wires or pipes in the space directly behind where the mount will be installed.
2. The bottom of the mounting template sticker should be level and at least 1.03 m from the ground, and its top should have at least 30 cm of clearance above it.



3. Use a power drill with an 8 mm drill bit to drill a hole into each hole marker on the mounting template sticker, then insert a wall plug into each hole.
4. Align the mounting holes on the 2-in-1 charging & storage mount to the holes on the wall, then attach the mount to the wall using the included screws.



Recommended Height: At least 1.03 meters from the ground

Charging

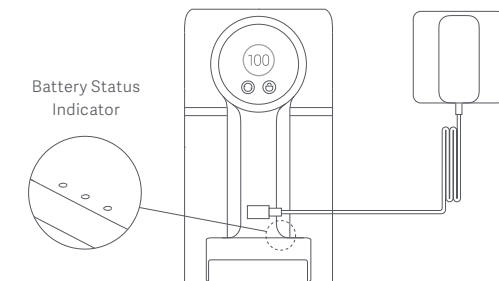
Battery Status Indicator

- Off ⚡ Blinking ● On
- ⚡ ○ ○ Low battery
- ⚡ ○ Half battery
- ● ⚡ Nearly full
- ● ● Fully charged

Once the vacuum cleaner is fully charged, the indicator will turn off after 5 minutes, and the vacuum cleaner will then enter the energy-saving mode.

Display Screen

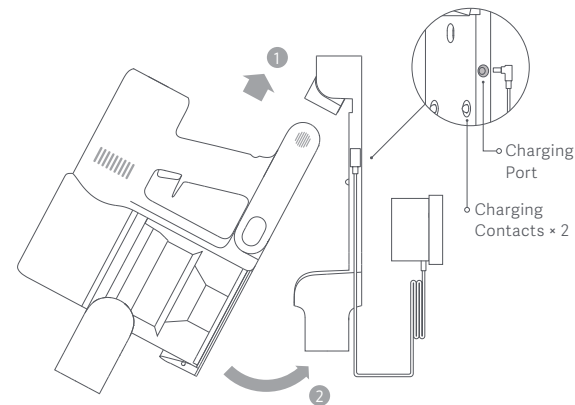
The number on the display screen represents the current battery level in a percentage during charging. When the number turns into 100, the battery is fully charged.



Charging the vacuum cleaner with the charger

Notes:




- Fully charge the vacuum cleaner before using it for the first time. This will take about 4 hours.
- The vacuum cleaner cannot be used while charging.
- Vacuuming at the highest suction level for a prolonged period will cause the battery to heat up, which may increase the charging time. Before charging the vacuum cleaner, it is better to cool it down for 30 minutes.



Charging the vacuum cleaner on the charging mount


How to Use

Setting Language

Press and hold the button  for 3 seconds to open the language list, then press the button  to scroll through the language to select the desired one. Press and hold the button  for 2 seconds to use the selected language.

Note: The display screen will go off if there is no operation for more than 10 seconds.

Switching Suction Levels

Press the button  to switch suction levels of eco, standard/ auto, and high power. The corresponding suction level will be highlighted on the display screen.

Only when using the smart high torque brush bar, the auto mode will be activated and the notification of "Auto" will appear on the display screen. The vacuum cleaner will then automatically switch the suction level between the floor/tile and the carpet.

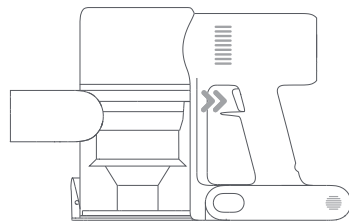
Note: Stop the vacuum cleaner at any time while cleaning, it will continue to use the last selected suction level when started again.

Working Modes

The vacuum cleaner has two working modes, you can select the desired one based on your cleaning needs.



1. Non-continuous Mode

Hold down the power button to start the vacuum cleaner, then release to stop it.

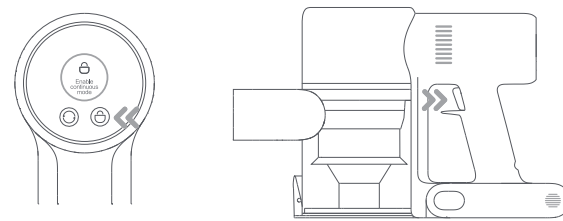


Non-continuous Mode

2. Continuous Mode

Press the button  to enable Continuous Mode, then press the power button to turn the vacuum cleaner on. To exit Continuous Mode, press the button .

Enabling the Continuous Mode allows the vacuum cleaner to run continuously without having to hold down the power button, which can help release your fingers.



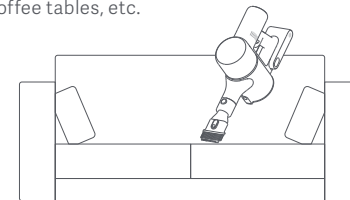
Continuous Mode

Notes:

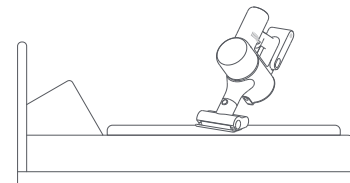
- In Continuous Mode, the vacuum cleaner will enter into standby mode when pressing the power button, and resume running if pressing the button again.
- When the vacuum cleaner keeps in standby mode for more than 10 seconds, its display screen will go off and the vacuum cleaner will then exit the Continuous Mode.

Using Different Accessories

2-in-1 Brush Nozzle: For vacuuming curtains, sofas, vehicle interiors, coffee tables, etc.



Mini Electric Brush: For vacuuming dirt, pet hair, and other stubborn debris from sofas, bedding, and other fabric surfaces.



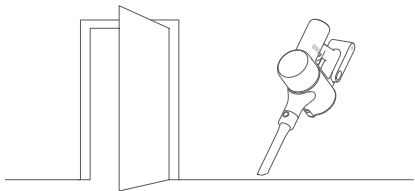
Notes:

- If any rotating part becomes stuck, the vacuum cleaner may shut off automatically. Remove any trapped foreign objects, then resume use.
- When the motor runs overheated, the vacuum cleaner will automatically shut off. Wait until the battery temperature returns to normal, then resume use.

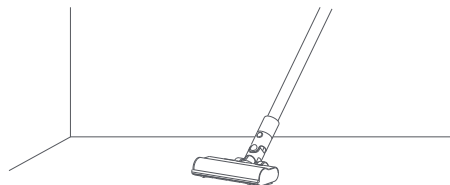
How to Use

Using Different Accessories

Crevice Nozzle: For vacuuming narrow crevices and areas around doors, windows, baseboards, corners, stairs, etc.



Smart High Torque Brush Bar: For cleaning different types of flooring such as wood, marble, tile, and short carpet. When Auto Mode is activated, the vacuum cleaner can automatically adjust its suction level depending on the surface type.



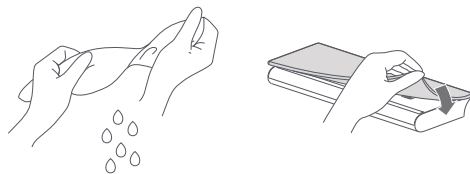
Note: The smart high torque brush bar can be attached directly to the vacuum cleaner.

Using the Mopping Function

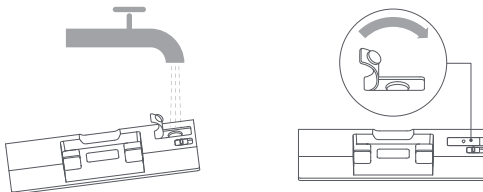
Notes:

- Do not step on the water tank, as this could permanently damage it.
- Heavily soiled floors should be vacuumed prior to mopping for a better result.
- Do not use the mopping function on carpet.
- Do not use any cleaning agents or disinfectants.

1. Dampen the mop pad and wring out excess water, then attach it securely to the bottom of the water tank.

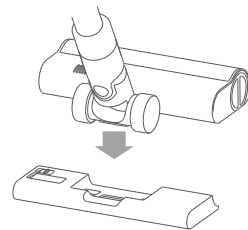


2. Open the water tank plug, add an appropriate amount of clean water, then close the plug.

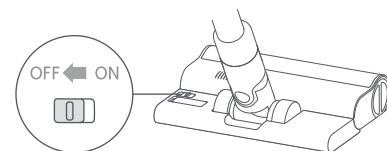


How to Use

3. Attach the smart high torque brush bar to the water tank by lining up the magnets on each component until they snap together.



4. This function is designed for vacuuming and wiping down hardwood and tile floors.



Notes:

- The ball valve in the water tank controls how much water is dispensed. The ball is a moving part and may make a rolling sound when starting and stopping. This is normal.
- When not in use, please keep the switch to the OFF position.

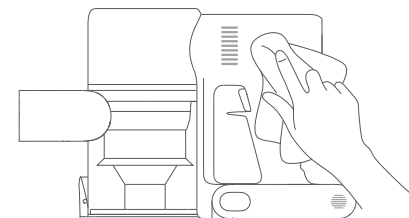
Care & Maintenance

Maintenance Precautions

- Always use genuine parts to keep your warranty from being voided.
- If the filter, extension rod, or smart torque brush bar becomes clogged, the vacuum cleaner will stop working shortly. To restore its functionality, clean the clogged component.
- If the vacuum cleaner will not be used for an extended period, fully charge it and disconnect it from the power then store it in a cool, low-humidity environment away from direct sunlight. To avoid over-discharging the battery, recharge the vacuum cleaner at least once every three months.

Cleaning the Vacuum Cleaner

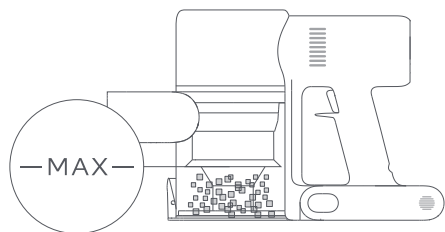
Wipe the vacuum cleaner with a soft, dry cloth.



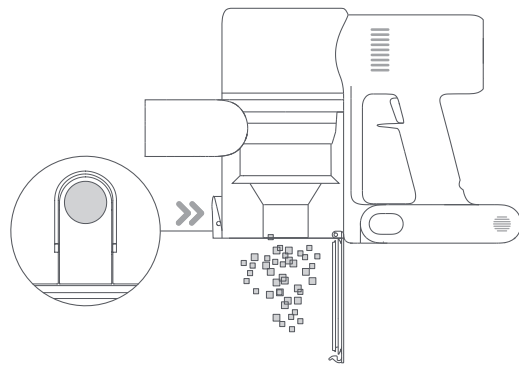
Care & Maintenance

Cleaning the Dust Compartment, Pre-filter, and Cyclone Assembly

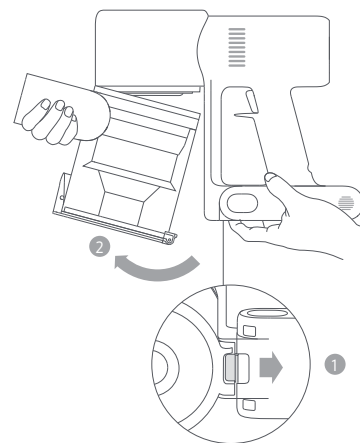
1. The vacuum cleaner's cleaning ability will be reduced if the dust compartment is filled to the "MAX" mark. To regain performance, empty the dust compartment in a timely manner. Before emptying the compartment, make sure the vacuum cleaner is disconnected from the power, and do not press its power button.



2. Press the dust compartment bottom cover release button, then empty the contents.

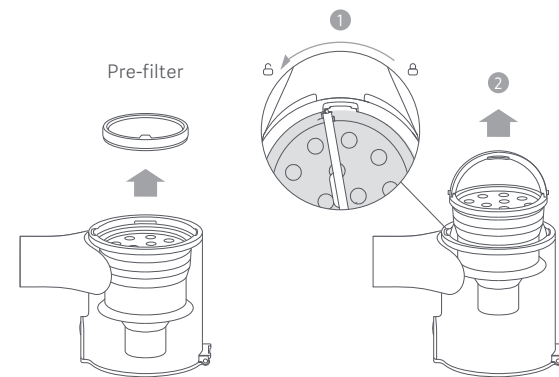


3. Push the dust compartment release switch in the direction indicated by the arrow, then gently remove the dust compartment from the vacuum cleaner.



Dust Compartment Release Switch

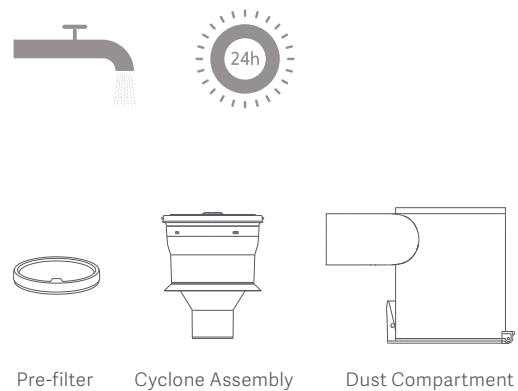
4. Remove the pre-filter first, then lift the handle of the cyclone assembly and turn to counterclockwise until it stops, then pull to lift out the cyclone assembly.



Pre-filter

Care & Maintenance

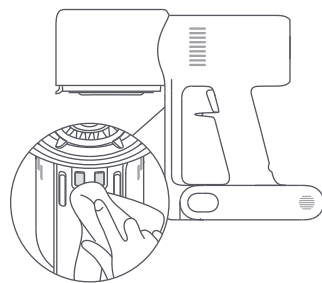
5. Rinse the pre-filter, cyclone assembly, and dust compartment with water until they are clean, then set each component aside to thoroughly dry for at least 24 hours.



Notes:

- The dust compartment should be rinsed out at least once a month.
- The pre-filter and cyclone assembly should be cleaned once every 3 to 4 months.

Wipe the contact points of the vacuum cleaner with a soft dry cloth if they are dirty.

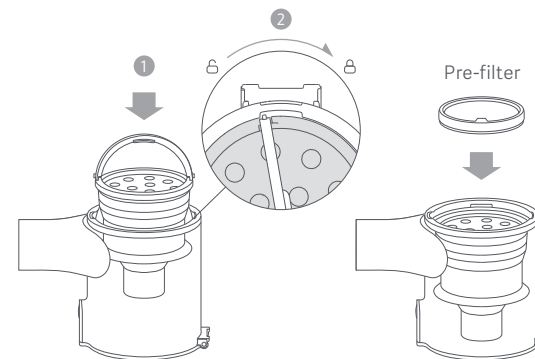


Notes:

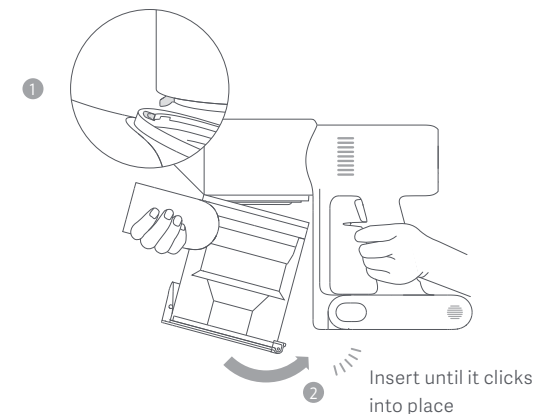
- Do not use detergents, polishes, or air fresheners to clean the dust compartment.
- Do not clean the dust compartment, pre-filter, or cyclone assembly in a dishwasher or washing machine, nor attempt to dry any component in a tumble dryer, oven, microwave, or near an open fire.

Installing the Dust Compartment, Pre-filter, and Cyclone Assembly

1. Insert the cyclone assembly vertically into the dust compartment, and make sure that the handle of the cyclone assembly line up with the slot on the left side of the dust compartment. Turn the handle clockwise until it locks, then flip the handle down.
2. Place the pre-filter with its front side facing up into the cyclone assembly.



3. Slightly tilt the dust compartment so its slot aligns with the clip on the vacuum cleaner. Then gently push the dust compartment until it clicks into place.

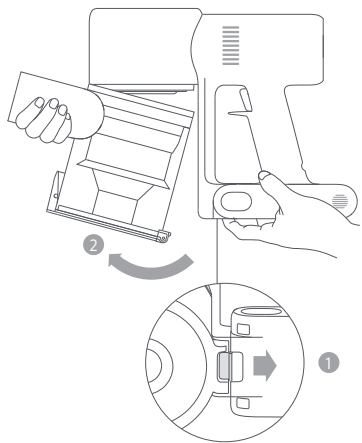


Care & Maintenance

Cleaning the HEPA Filter

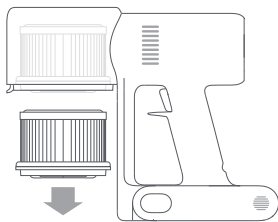
Note: It is recommended to clean the HEPA filter once every 4 to 6 months.

1. Remove the dust compartment as shown in the figure.



Dust Compartment Release Switch

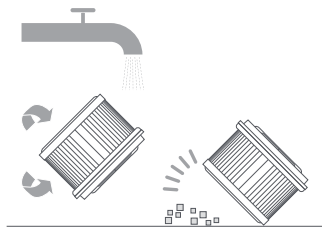
2. Remove the HEPA filter from the vacuum cleaner by pulling it down in the direction shown in the figure.



3. Clean the HEPA filter with clean water. Make sure you rotate the HEPA filter 360° to thoroughly remove all dust caught in the filter. Lightly tap the filter several times to remove any excess dirt.

Notes:

- Only use clean water to clean the filter. Do not use detergent.
- Do not attempt to clean the HEPA filter with a brush or finger.

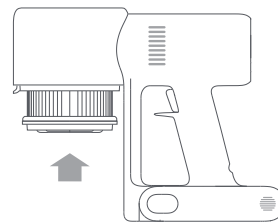


4. Allow the HEPA filter to thoroughly dry for at least 24 hours.

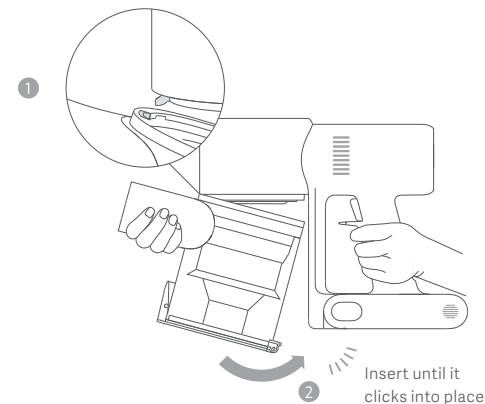


Installing the HEPA Filter

1. Insert the HEPA filter into the vacuum cleaner and gently press down, as illustrated.



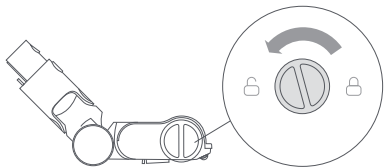
2. Reinstall the dust compartment.



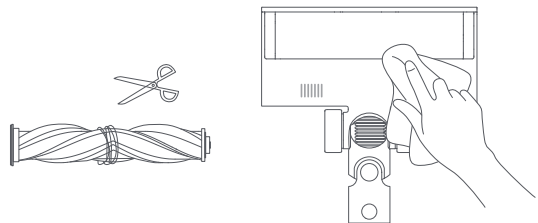
Care & Maintenance

Cleaning the Smart High Torque Brush Bar

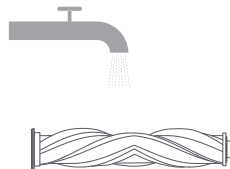
1. Turn the lock counterclockwise until it stops, then remove the roller brush from the smart high torque brush bar.



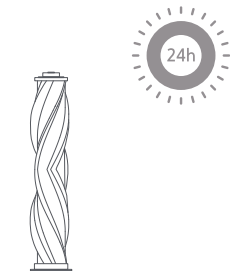
2. Use scissors to cut and pick out any hair or other debris tangled around the roller brush. Wipe away excess dust from the slot and clear plastic cover using a dry cloth or paper towel.



3. After extended use, the roller brush may become dirty and should be washed.

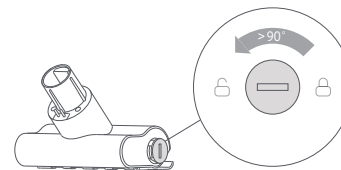


4. After washing, allow the roller brush to dry thoroughly by standing it upright in a well-ventilated area for at least 24 hours.

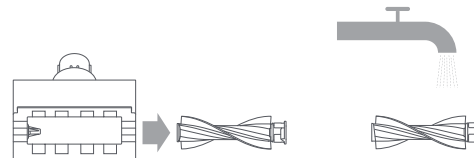


Cleaning the Mini Electric Brush

1. Use a coin to turn the lock counterclockwise until you hear a click.



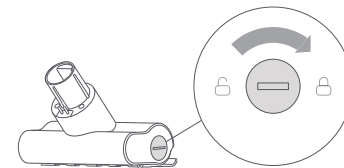
2. After unlocking the roller brush, remove it from the mini electric brush, then rinse and clean the roller brush.



3. After washing, allow the roller brush to dry thoroughly by standing it upright in a well-ventilated area for at least 24 hours.



4. Once the roller brush is dry, reinstall it by following the disassembly steps in reverse.



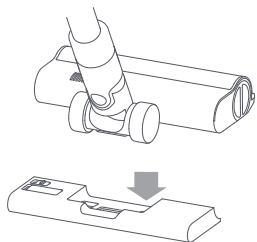
Care & Maintenance

Cleaning the Water Tank and Mop Pad

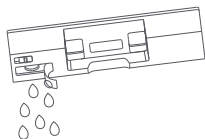
Notes:

- When the vacuum cleaner is charging or not in use, remove the water tank and drain any remaining water to prevent mildew or lingering odor.
- A worn or damaged mop pad that no longer sticks to the water tank should be replaced to ensure optimal cleaning performance.

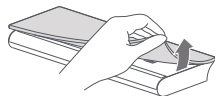
1. Slide the water tank down to detach it from the smart high torque brush bar.



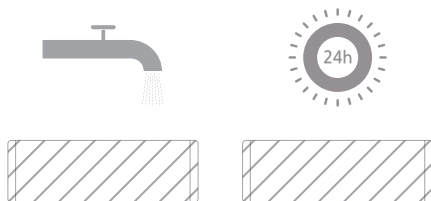
2. Empty the water tank.



3. Remove the mop pad from the water tank.



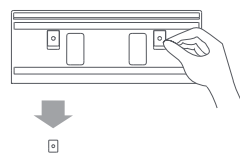
4. Clean and dry the mop pad.



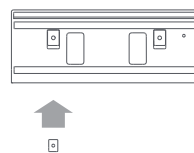
Water Dispenser Filter

The water dispenser filter should be replaced if the water tank dispenses water too slowly or becomes clogged. To ensure optimal mopping effectiveness, it is recommended to replace water dispenser filters once every 3 to 6 months depending on water quality and frequency of use.

1. Use your fingers to slide out old water dispenser filters on the left and right sides of each slot.



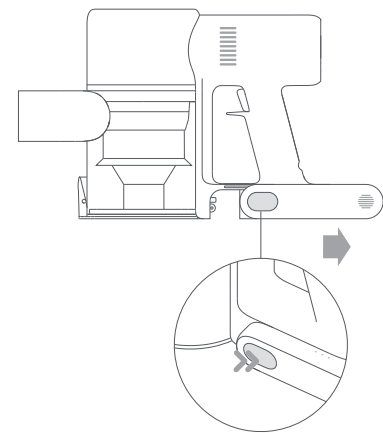
2. Insert the new water dispenser filters and check to ensure they are installed correctly.



Battery Pack

The vacuum cleaner contains a removable rechargeable lithium-ion battery pack which has a limited number of recharge cycles. After extended use, the battery pack may no longer hold a charge. If this happens, it means the battery pack has reached the end of its life cycle and needs to be replaced.

1. Press down the battery pack release button and slide the battery pack to the right, as illustrated, to remove it.
2. Install the new battery pack.



Specifications

Vacuum Cleaner			
Model	MJSCXCQPT	Rated Voltage	25.2 V ===
Charging Voltage	30.8 V ===	Nominal Capacity	3000 mAh
Rated Power	450 W	Dust Compartment Capacity	Max. 0.6 L
Charging Time	Approx. 4 hours	Net Weight	4.2 kg
Item Dimensions	1286 × 214 × 256 mm		

Smart High Torque Brush Bar		Mini Electric Brush	
Model	G10-01	Model	1C-02
Rated Power	40 W	Rated Power	20 W
Rated Voltage	25.2 V ===	Rated Voltage	25.2 V ===

Charger			
Manufactured by	Zhongshan Baolijin Electronic Co., Ltd.	Average Active Efficiency	87.5%
Model	BLJ24W308080P-V	Efficiency at Low Load (10%)	77.9%
Input	100–240 V~ 50/60 Hz 0.8 A	No-load Power Consumption	0.10 W
Output	30.8 V === 0.8 A 24.6 W		

Specifications

Rechargeable Lithium-ion Battery Pack			
Battery Model	P2046-7S1P-BC/P2046-7S1P-BCA	Nominal Capacity	3000 mAh
Nominal Voltage	25.2 V ===	Rated Capacity	2800 mAh
Energy	70.56 Wh		

The lithium-ion battery pack contains substances that are hazardous to the environment. Before disposing of the vacuum cleaner, please first remove the battery pack, then discard, or recycle it in accordance with local laws and regulations of the country or region it is used in.

WEEE Information



All products bearing this symbol are waste electrical and electronic equipment (WEEE as in directive 2012/19/EU) which should not be mixed with unsorted household waste. Instead, you should protect human health and the environment by handing over your waste equipment to a designated collection point for the recycling of waste electrical and electronic equipment, appointed by the government or local authorities. Correct disposal and recycling will help prevent potential negative consequences to the environment and human health. Please contact the installer or local authorities for more information about the location as well as terms and conditions of such collection points.








FAQ

Error	Possible Cause	Solution
The vacuum cleaner does not work.	It is out of battery or has low battery.	Fully charge the vacuum cleaner, then resume use.
	It enters into overheat protection mode triggered by a blockage.	Wait until the vacuum cleaner cools down, then reactivate it.
	Its suction opening or airway passage is blocked.	Clear any blockages from suction opening or airway passage.
The suction power reduces.	The dust compartment is full and/or the filter is clogged.	Empty the dust compartment and clean the filter.
	The smart high torque brush bar and/or the extension rod are blocked.	Clear any blockages from the smart high torque brush bar and/or the extension rod.
The motor makes a strange noise.	The main suction opening or the extension rod is blocked.	Clear any blockages in the main suction opening or the extension rod.
The first indicator is red after turning on the vacuum cleaner.	Battery pack is damaged.	Please contact after-sales service to arrange maintenance.
The first indicator blinks red when charging the vacuum cleaner.	The charger is incompatible.	Only use the original charger to charge the vacuum cleaner.

Error	Possible Cause	Solution
The battery indicator does not light up while charging.	The charger is not connected to the vacuum cleaner.	Make sure the charger is plugged in correctly.
	The battery is fully charged and went into sleep mode.	The vacuum cleaner can be used normally.
	If the problem still persists after ruling out the above two possibilities, please contact after-sales service for help.	
The battery charges slowly.	The battery temperature is too low or too high.	Wait until the battery temperature normalizes, then resume use.
The water tank does not dispense water, or dispenses water slowly.	The water dispenser filter is clogged.	Clean or replace the water dispenser filter.
	The mop pad is dirty.	Clean or replace the mop pad.

Troubleshooting

If the vacuum cleaner is not working properly, the screen display will show an error message. Please refer to the troubleshooting table below to find your solution based on the error message.

Error Icon	Error Message	Solution
	Airway Blocked	Clear any blockages from the dust compartment, extension rod, and/or smart high torque brush bar.
	Low Battery	Recharge soon.
	Roller Brush Stuck	Refer to "Cleaning the smart high torque brush bar" under the Care & Maintenance section for directions on how to clean out hair and other debris caught in the roller brush.
	Battery Depleted	Recharge soon.
	Battery Overheated	Wait until the battery temperature normalizes before resuming use.
	Error	Please contact after-sales service to arrange maintenance.
	Filter Not Installed	Ensure that the HEPA filter and pre-filter are installed correctly.

Instrucciones de seguridad

Este producto es exclusivo para uso doméstico. Lea detenidamente este manual antes de usar el producto y consérvelo para futuras consultas.

Este aparato puede ser utilizado por niños de 8 años en adelante y por personas con capacidades sensoriales, mentales o físicas reducidas o con falta de experiencia, siempre y cuando estén bajo la supervisión de un adulto, se les hayan proporcionado instrucciones sobre el uso del producto y se les haya advertido de los riesgos implícitos. Los niños no deben jugar con el aparato. La limpieza y el mantenimiento por parte del usuario no deben realizarse por niños sin supervisión de un adulto.

El aparato sólo debe utilizarse con la fuente de alimentación suministrada con él.

La aspiradora no es un juguete. No deje que los niños jueguen con el producto ni lo utilicen. Tenga especial cuidado al utilizar la aspiradora cerca de niños. No deje que los niños limpien ni realicen tareas de mantenimiento en la aspiradora, a menos que estén supervisados por un adulto o tutor.

Utilice la aspiradora únicamente sobre superficies secas de interior. No monte, cargue ni utilice el producto en exteriores, cuartos de baño o cerca de piscinas.

No toque el enchufe ni ninguna otra parte de la aspiradora con las manos mojadas.

Para reducir los riesgos de incendio, explosión o lesión personal, compruebe que la batería de iones de litio y el cargador no presenten daños antes de usar el producto. No utilice la aspiradora si la batería o el cargador presenta algún daño.

La barra del cepillo de alto par inteligente el minicepillo eléctrico, la batería, la varilla de extensión y la aspiradora son conductores eléctricos, por lo que no se deben sumergir en agua ni en ningún líquido. Asegúrese de que todas las piezas están completamente secas después de limpiarlas.

Para evitar lesiones provocadas por piezas móviles, apague la aspiradora antes de limpiar la barra del cepillo de alto par inteligente y el minicepillo eléctrico. La barra del cepillo de alto par inteligente, el compartimento para el polvo y el filtro deben estar bien instalados antes de usar la aspiradora.

Utilice únicamente el cargador original (modelo: BLJ24W308080P-V) que viene con este producto.

Instrucciones de seguridad

Utilice únicamente el tipo de batería aprobado (modelo P2046-7S1P-BC/P2046-7S1P-BCA). No hacerlo, podría provocar que la batería de ion de litio se incendie.

Si se daña el cargador o la batería, deberá reemplazarlos por un recambio original del fabricante o del departamento del servicio posventa.

No utilice la aspiradora para recoger líquidos inflamables o combustibles, como gasolina, lejía, amoníaco o limpiadores de desagüe; ni otros líquidos, como el agua.

No utilice la aspiradora para recoger partículas de yeso, cenizas (como las de la chimenea) o materiales humeantes o combustibles (como carbón, colillas de cigarrillos o cerillas).

No utilice la aspiradora para recoger objetos afilados o duros, como vidrio, clavos, tornillos o monedas, que puedan dañar el producto.

Mantenga el cabello, la ropa suelta, los dedos y todas las partes del cuerpo lejos de las aberturas y las partes móviles de la aspiradora. No apunte la abertura de succión, la varilla de extensión ni ningún otro accesorio a sus ojos u oídos, ni se los ponga en la boca.

No meta ningún objeto en las aberturas de la aspiradora, ni utilice la aspiradora en caso de que tenga alguna abertura bloqueada. Mantenga el producto libre de polvo, pelusas, pelos y otros elementos, ya que podrían reducir el flujo de aire.

No apoye la aspiradora en sillas, mesas ni en superficies poco estables ya que se podría dañar el producto o provocar lesiones personales. Si la aspiradora no funciona correctamente debido a que se ha caído o dañado, póngase en contacto con el departamento de servicio técnico autorizado. No intente desmontar la aspiradora por su cuenta.

Deberá seguir rigurosamente todas las instrucciones del manual de usuario relacionadas con la recarga del producto. Cargar la aspiradora de una forma incorrecta, fuera del rango de temperatura indicado, podría dañar la batería.

Utilice únicamente el cargador original para cargar el producto en entornos con una temperatura ambiente de entre 0 y 40 °C. De lo contrario, la batería podría sufrir daños.

La tapa del compartimento para el polvo, el prefiltro, el ciclón y el filtro HEPA deben estar bien instalados antes de usar la aspiradora.

Asegúrese de que la aspiradora esté desconectada cuando no se utilice durante períodos prolongados, así como antes de realizar cualquier tipo de mantenimiento o reparación.

Tenga especial cuidado al usar la aspiradora para limpiar escaleras.

Advertencia sobre peligros de incendio: No aplique ningún tipo de fragancia al filtro de la aspiradora. Se sabe que estos tipos de productos contienen productos químicos inflamables que pueden hacer que la aspiradora se incendie.

Cuando la batería no esté en uso, manténgala alejada de objetos metálicos como sujetapapeles, monedas, llaves, clavos o tornillos. Cortocircuitar los terminales de la batería aumenta los riesgos de incendio o de sufrir quemaduras.

En condiciones extremas, el líquido podría ser expulsado de la batería. Evite el contacto con líquidos, ya que podría provocar irritaciones o quemaduras. Si se produce un contacto, enjuague con agua. Si el líquido entra en contacto con los ojos, busque ayuda médica.

NO esponga la batería ni el aparato al fuego, ya que podría provocar una explosión.

NO esponga ni sumerja la batería ni el aparato en agua, agua salada ni otros líquidos.

Utilice este producto según las instrucciones del Manual del usuario. Los usuarios son responsables de cualquier pérdida o daño que surja por el uso incorrecto de este producto.

Nosotros, Dreame (Tianjin) Information Technology Co., Ltd., por la presente, declaramos que el equipo cumple con las Directivas y Normas Europeas aplicables y las enmiendas. Encontrará el texto completo de la declaración de conformidad de la UE en esta dirección de Internet:

<http://www.mi.com/global/service/support/declaration.html>

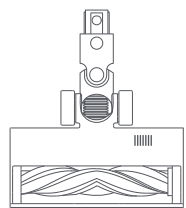
Para un manual electrónico detallado, vaya a www.mi.com/global/service/userguide

Descripción del producto

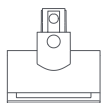
Lista de accesorios



Varilla de extensión



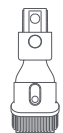
Barra del cepillo de alto par inteligente



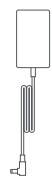
Minicepillo eléctrico



Boquilla para hendiduras



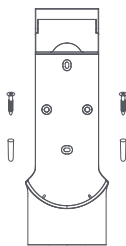
Boquilla del cepillo 2 en 1



Cargador



Depósito de agua



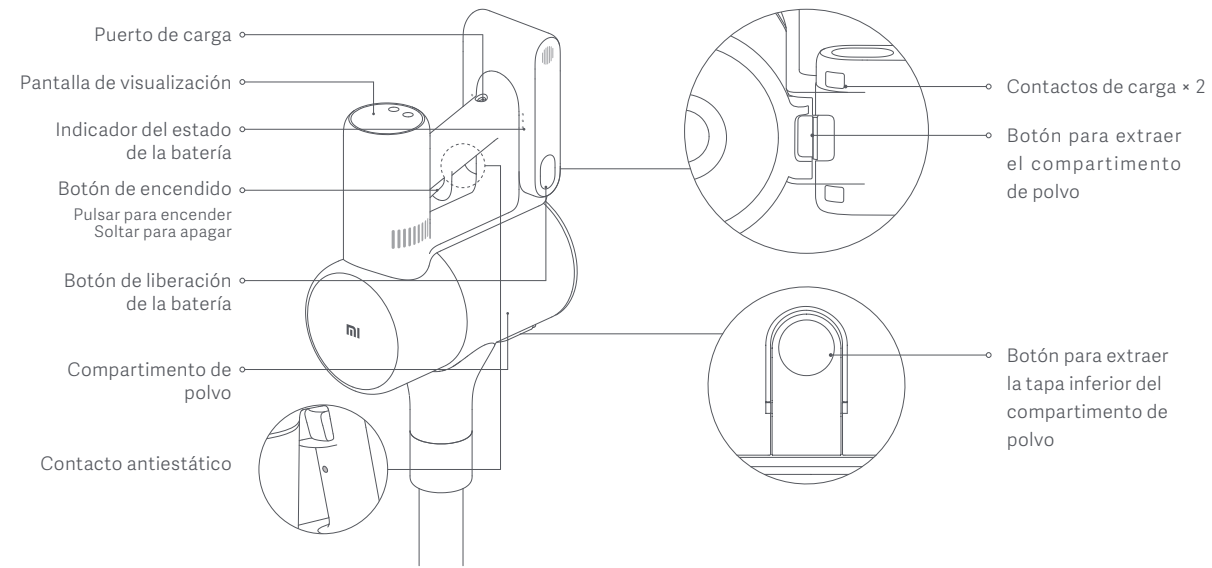
Soporte de carga y almacenamiento 2 en 1
(incluye 2 tornillos, 2 tacos y una plantilla de montaje adhesiva)



Almohadilla de la mopa

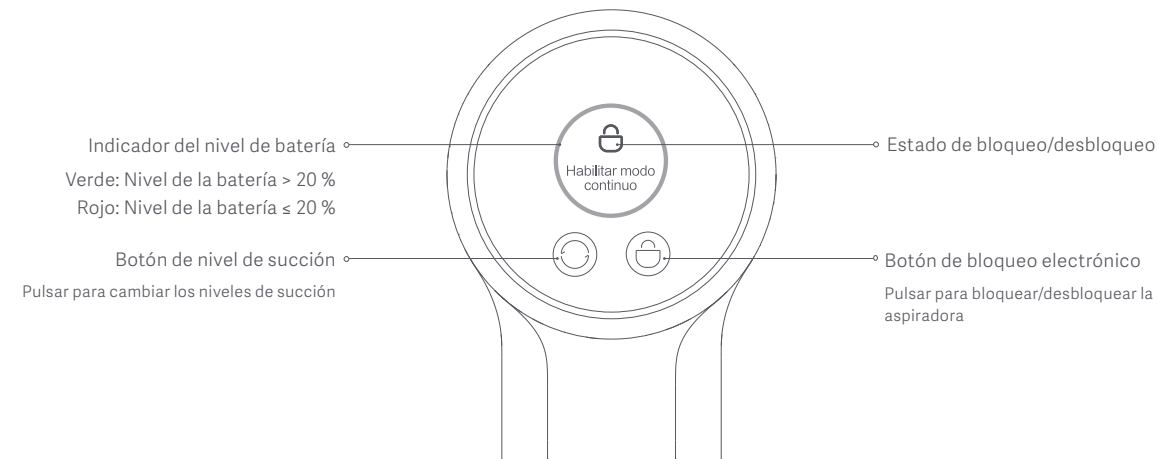
Nota: Las imágenes del producto, sus accesorios y la interfaz de usuario incluidas en este manual de usuario se proporcionan solo como referencia. El producto y las funciones reales pueden variar debido a las actualizaciones y mejoras del secador.

Nombre del componente



Descripción del producto

Pantalla de visualización

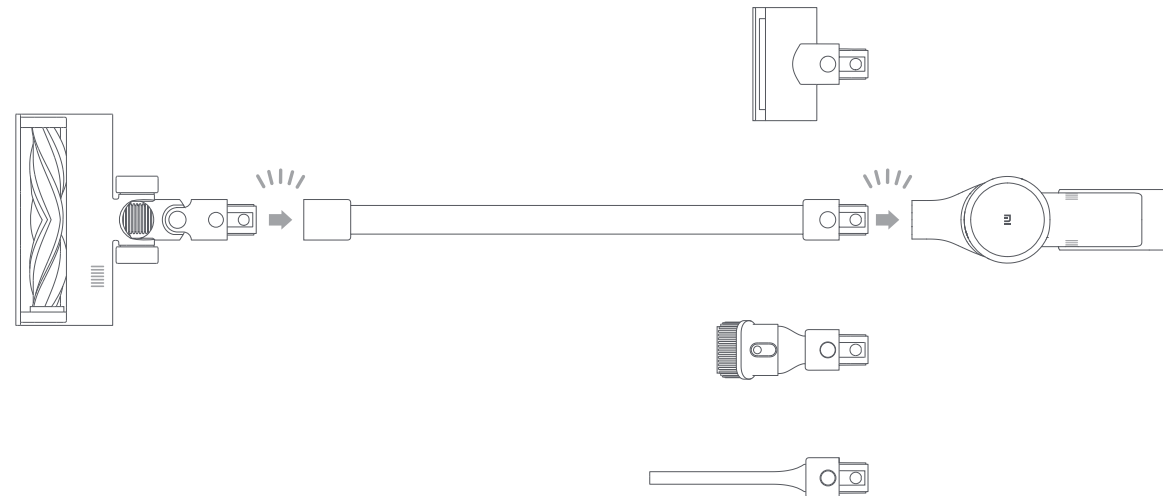


Nota: Si la aspiradora sufre alguna avería, la pantalla de visualización mostrará un mensaje de error. Para solucionar el problema, consulte la sección de Solución de problemas.

Cómo instalar

Instalar los accesorios en la aspiradora

Insértelo hasta que encaje en su sitio.

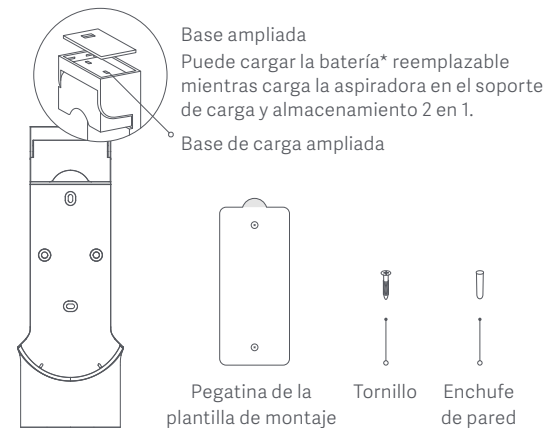


Nota: No debe utilizar el minicepillo eléctrico con la varilla de extensión.

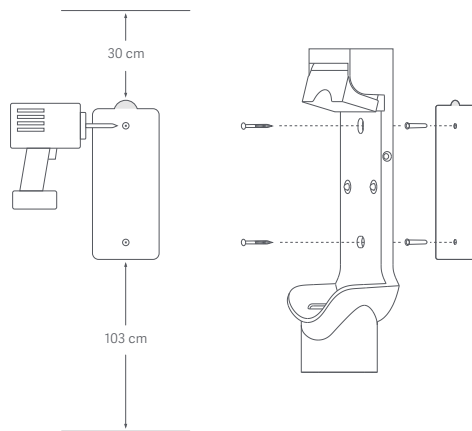
Cómo instalar

Instalar el soporte de carga y almacenamiento 2 en 1

1. El soporte de carga y almacenamiento 2 en 1 debe ser instalado en un lugar fresco y seco, con una toma eléctrica cercana. Antes de instalarlo, asegúrese de que no hay ningún cable ni tubo detrás de dónde se instalaría el soporte.
2. La parte inferior de la pegatina de la plantilla de montaje debe estar nivelada y, al menos, a 1,03 m del suelo. La parte superior debe tener al menos un espacio de 30 cm sobre ella.



3. Utilice un taladro eléctrico con una broca de 8 mm para hacer un orificio en cada marcador de la pegatina de la plantilla de montaje y, a continuación, inserte un taco en cada orificio.
4. Alinee los orificios de montaje del soporte de carga y almacenamiento 2 en 1 con los orificios de la pared y, a continuación, fije el soporte a la pared con los tornillos incluidos.



Altura recomendada: Al menos 1,03 metros del suelo

* La batería reemplazable no está incluida, se compra por separado.

Carga

Indicador del estado de la batería

○ Apagado ⚡ Intermitente ● Encendido

⚡ ○ ○ Batería baja

● ⚡ ○ Batería media

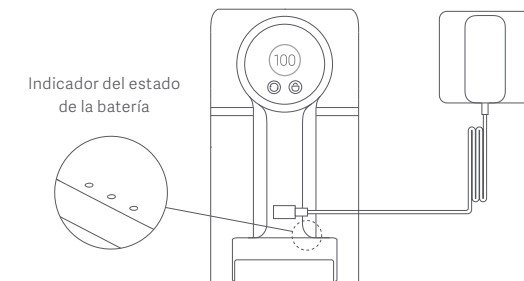
● ● ⚡ Casi cargada

● ● ● Totalmente cargada

Una vez que la aspiradora esté completamente cargada, el indicador se apagará después de 5 minutos y la aspiradora activará el modo de ahorro de energía.

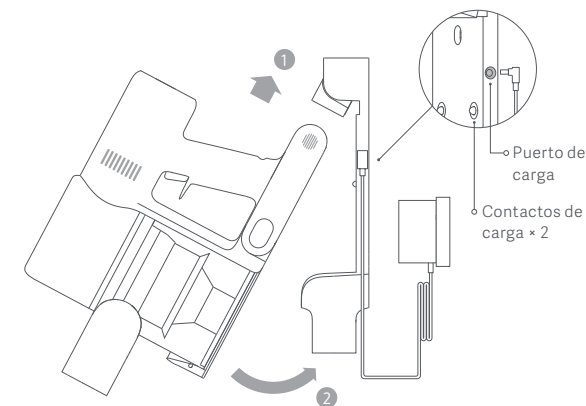
Pantalla de visualización

El número de la pantalla representa el nivel de batería actual en porcentaje durante la carga. Cuando llegue a 100, la batería estará totalmente cargada.






Notas:

- Cargue completamente la aspiradora antes de usarla por primera vez. Esto puede tardar unas 4 horas.
- La aspiradora no se puede utilizar mientras se esté cargando.
- Aspirar con un nivel de succión alto durante un periodo prolongado provocará que la batería se caliente, lo que podría aumentar el tiempo de carga. Antes de cargar la aspiradora, recomendamos esperar unos 30 minutos a que se enfríe.




Modo de uso

Configuración del idioma

Mantenga pulsado el botón  durante 3 segundos para abrir la lista de idiomas. Pulse el botón  para desplazarse por los idiomas y buscar el deseado. Mantenga pulsado el botón  durante 2 segundos para usar el idioma seleccionado.

Nota: La pantalla se apagará si no se realiza ninguna operación durante más de 10 segundos.

Cambiar los niveles de succión

Pulse el botón  para cambiar entre los niveles de succión Eco, Estándar/automático y Alta potencia. El nivel de succión correspondiente aparecerá señalado en la pantalla.

Cuando utilice la barra de cepillo de alto par inteligente, se activará el modo automático y en la pantalla aparecerá el indicador de "Auto". A continuación, la aspiradora cambiará automáticamente el nivel de succión entre suelo/baldosa y alfombra.

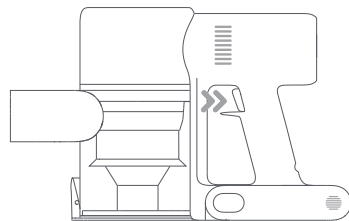
Nota: Si detiene la aspiradora en algún momento mientras limpia, al volver a iniciarla, seguirá utilizando el último nivel de succión seleccionado.

Modos de funcionamiento

La aspiradora tiene dos modos de funcionamiento. Puede seleccionar el que quiera en base a sus necesidades de limpieza.



1. Modo Discontinuo

Mantenga pulsado el botón de encendido para poner en marcha la aspiradora y suéltelo para detenerla.

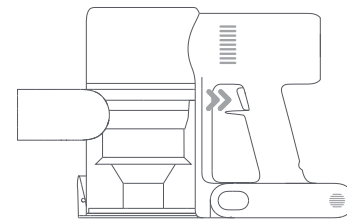


Modo Discontinuo

2. Modo Continuo

Presione el botón  para activar el modo Continuo. Luego pulse el botón de encendido para poner en marcha la aspiradora. Para salir del modo Continuo, pulse el botón .

Activar el modo Continuo permite que la aspiradora funcione continuamente sin tener que pulsar el botón de encendido, lo que le ayuda a tener los dedos libres.



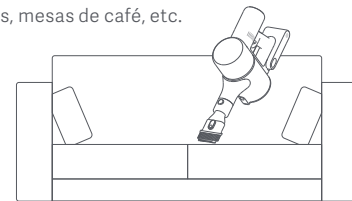
Modo Continuo

Notas:

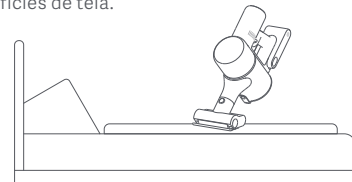
- En el modo Continuo, la aspiradora activará el modo de espera cuando pulse el botón de encendido, y reanudará la limpieza si vuelve a pulsar el botón.
- Si la aspiradora se mantiene en el modo de espera durante más de 10 segundos, saldrá del modo Continuo y la pantalla se apagará.

Uso de los diferentes accesorios

Boquilla del cepillo 2 en 1: Para aspirar cortinas, sofás, interiores de vehículos, mesas de café, etc.



Minicepillo eléctrico: Para aspirar la suciedad, los pelos de mascota y otros restos resistentes de los sofás, la ropa de cama y otras superficies de tela.



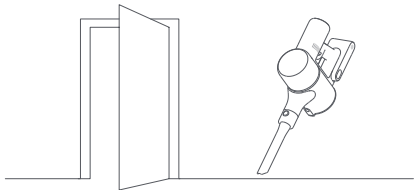
Notas:

- Si alguna pieza giratoria se queda atascada, la aspiradora podría apagarse de forma automática. Extraiga los objetos extraños que se hayan quedado atascados y reanude el uso.
- Si el motor funciona a temperaturas demasiado elevadas, la aspiradora se apagará automáticamente. Espere a que la temperatura de la batería vuelva a ser normal y, a continuación, reanude el uso.

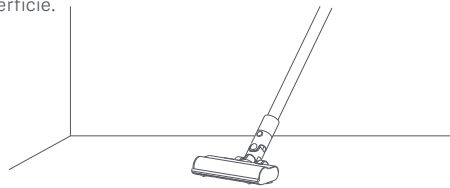
Modo de uso

Uso de los diferentes accesorios

Boquilla para hendiduras: Para aspirar hendiduras estrechas y zonas alrededor de puertas, ventanas, rodapiés, esquinas, escaleras, etc.



Barra de cepillo de alto par inteligente: Para limpiar distintos suelos, como mármol, baldosas y alfombras cortas. Cuando el modo Automático esté activado, la aspiradora podrá ajustar automáticamente el nivel de succión en función del tipo de superficie.



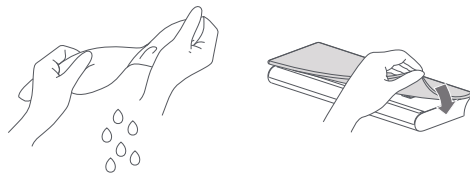
Nota: La barra del cepillo de alto par inteligente se puede conectar directamente a la aspiradora.

Usar la función de fregado

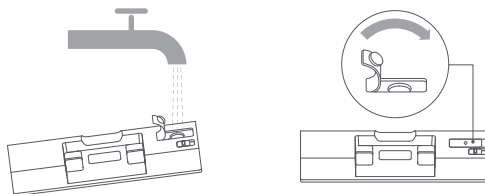
Notas:

- No pise el depósito de agua, ya que podría dañarlo de forma permanente.
- Antes de fregar suelos muy sucios, debería aspirarlos para obtener un mejor resultado.
- No utilice la función de fregado en alfombras.
- No use productos químicos ni desinfectantes.

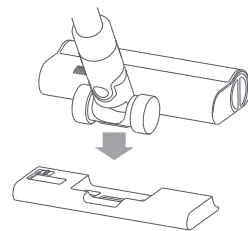
1. Humedezca la almohadilla de la mopa y escurra el exceso de agua. A continuación, fíjela bien al fondo del depósito de agua.



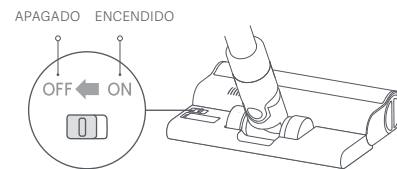
2. Abra el tapón del depósito de agua, añada una cantidad adecuada de agua limpia y cierre el tapón.



3. Conecte la barra del cepillo de alto par inteligente al depósito de agua, alineando los imanes de cada componente hasta que encajen.



4. Esta función está diseñada para aspirar y limpiar suelos de madera y baldosas.



Notas:

- La válvula de bola del depósito de agua controla la cantidad de agua que suministra. La bola es una pieza móvil, por lo que puede generar un sonido de rodadura al empezar y al parar. Es totalmente normal.
- Cuando no esté en uso, sitúe el interruptor en la posición OFF.

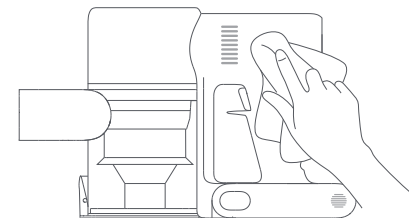
Cuidado y mantenimiento

Advertencias de mantenimiento

- Utilice siempre piezas originales para evitar que se anule la garantía.
- Si el filtro, la varilla de extensión o la barra del cepillo de alto par inteligente quedan obstruidos, la aspiradora dejará de funcionar en poco tiempo. Para hacer que vuelva a funcionar, limpie el componente obstruido.
- Si no va a utilizar la aspiradora durante un largo periodo de tiempo, cárguela completamente, desenchúfela de la corriente y guárdela en un lugar fresco, con poca humedad y protegida de la luz solar. Para evitar que la batería se descargue en exceso, recargue la aspiradora al menos una vez cada tres meses.

Limpeza de la aspiradora

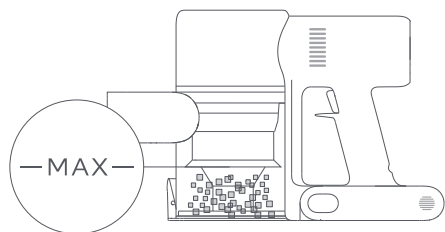
Limpe la aspiradora con un trapo seco y suave.



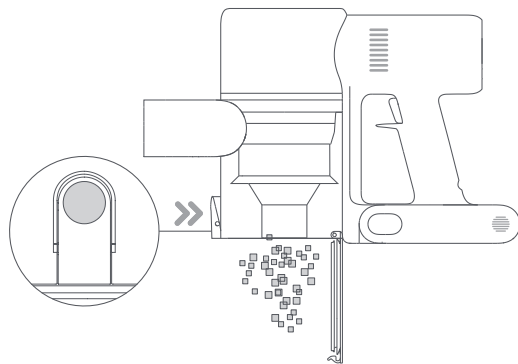
Cuidado y mantenimiento

Limpieza del compartimento para el polvo, el prefiltro y el ciclón

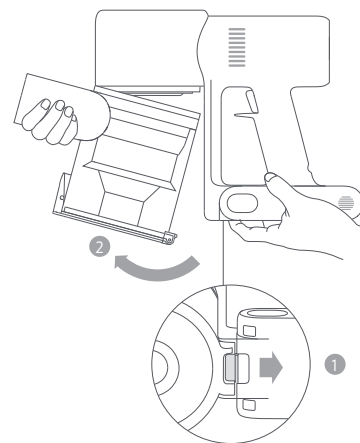
1. La capacidad de limpieza de la aspiradora se verá reducida en caso de que el compartimento para el polvo esté lleno y alcance la marca de "MAX". Para que recupere su rendimiento, vacíe el compartimento para el polvo de manera oportuna. Antes de vaciar el compartimento, asegúrese de que la aspiradora está desconectada de la corriente y no pulse el botón de encendido.



2. Pulse el botón para extraer la tapa inferior del compartimento de polvo y vacíe el contenido.

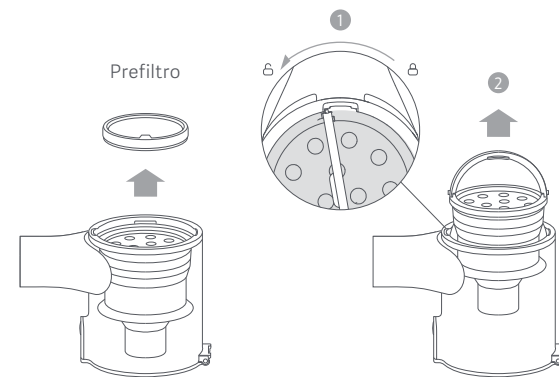


3. Mueva el interruptor de liberación del compartimento para el polvo en la dirección indicada por la flecha y retire suavemente el compartimento de polvo de la aspiradora.



Botón para extraer el compartimento de polvo

4. Quite primero el prefiltro, luego levante el mango del ciclón y gire en sentido contrario a las agujas del reloj hasta que se detenga, por último, tire para sacar el ciclón.



Cuidado y mantenimiento

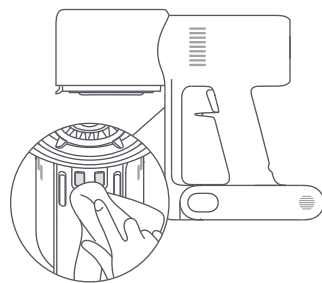
5. Enjuague con agua el prefiltro, el ciclón y el compartimento de polvo hasta que estén limpios. Luego, ponga a un lado los componentes hasta que se sequen completamente, durante al menos 24 horas.



Notas:

- Debe enjuagar el compartimento de polvo al menos una vez al mes.
- Debe limpiar el prefiltro y el ciclón al menos una vez cada 3 o 4 meses.

Limpie los puntos de contacto de la aspiradora con un trapo seco y suave si están sucios.

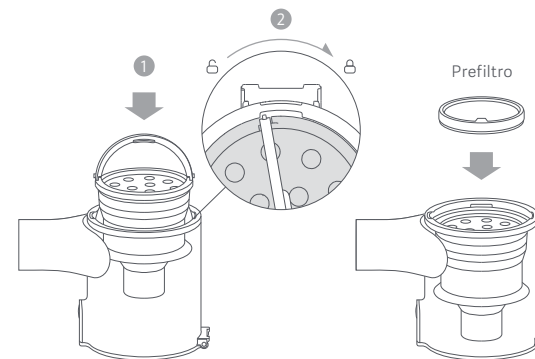


Notas:

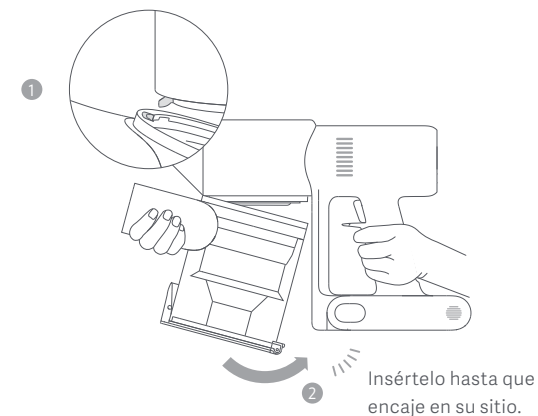
- No utilice detergentes, abrillantadores ni ambientadores para limpiar el compartimento de polvo.
- No limpie el compartimento de polvo, el prefiltro ni el ciclón en un lavavajillas ni en una lavadora, ni intente secarlos en secadoras, hornos, microondas o poniéndolos cerca del fuego.

Instalación del compartimento para el polvo, el prefiltro y el ciclón

1. Inserte verticalmente el ciclón en el compartimento de polvo y asegúrese de que el mango está alineado con la ranura del lado izquierdo del compartimento de polvo. Gire el mango en el sentido de las agujas del reloj hasta que esté fijo. Luego baje el mango.
2. Coloque el prefiltro dentro del ciclón, con la parte frontal mirando hacia arriba.



3. Incline ligeramente el compartimento de polvo para que sus ranuras queden alineadas con la pestaña de la aspiradora. Luego presione suavemente sobre el compartimento de polvo hasta que encaje en su sitio.

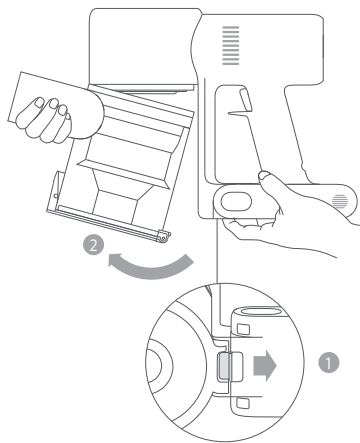


Cuidado y mantenimiento

Limpieza del filtro HEPA

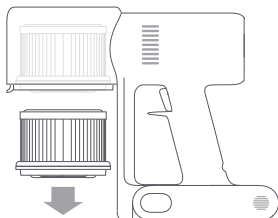
Nota: Se recomienda limpiar el filtro HEPA una vez cada 4 o 6 meses.

1. Extraiga el compartimento del polvo como se indica en la imagen.



Botón para extraer el compartimento de polvo

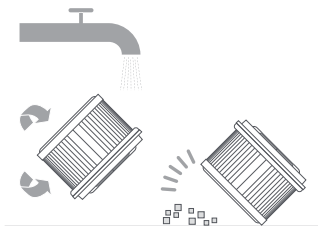
2. Extraiga el filtro HEPA de la aspiradora tirando hacia abajo, en la dirección que se muestra en la imagen.



3. Limpie el filtro HEPA con agua limpia. Asegúrese de girar el filtro HEPA 360° para quitar toda la suciedad del filtro. Golpee suavemente el filtro varias veces para extraer cualquier exceso de suciedad.

Notas:

- Utilice únicamente agua limpia para limpiar el filtro. No utilice detergentes.
- No intente limpiar el filtro HEPA con un cepillo ni con los dedos.

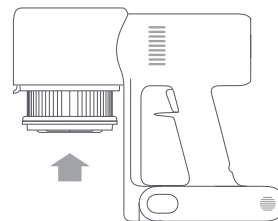


4. Deje secar el filtro HEPA durante, al menos, 24 horas.

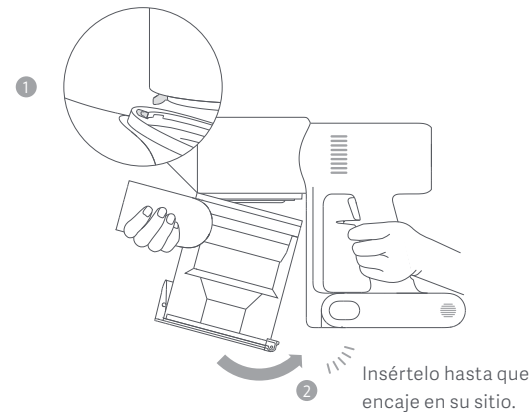


Instalación del filtro HEPA

1. Inserte el filtro HEPA en la aspiradora y presione suavemente hacia abajo, como se indica en la imagen.



2. Vuelva a instalar el compartimento de polvo.

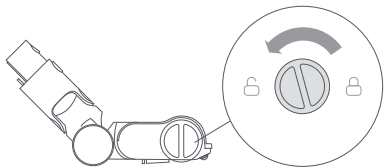


Insértelo hasta que encaje en su sitio.

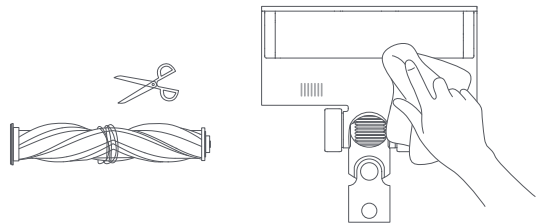
Cuidado y mantenimiento

Limpieza de la barra del cepillo de alto par inteligente

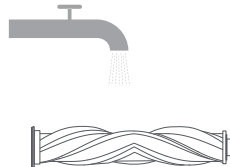
1. Gire en sentido contrario a las agujas del reloj hasta que se detenga y quite el rodillo de la barra del cepillo de alto par.



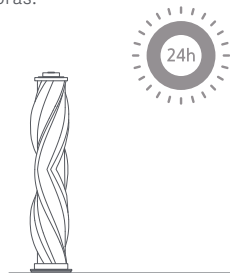
2. Utilice unas tijeras para cortar y recoger los pelos, o cualquier otro desecho, que se haya quedado enredado en el rodillo. Limpie el exceso de polvo de la ranura y de la cubierta de plástico transparente con un paño seco o con papel absorbente.



3. Tras un uso prolongado, puede que el rodillo se ensucie, por lo que debería lavarlo.

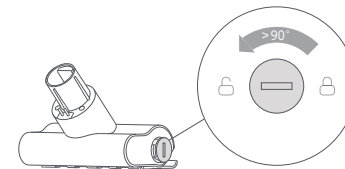


4. Tras la limpieza, deje que el rodillo se seque completamente, poniéndolo en posición vertical en un área bien ventilada durante al menos 24 horas.

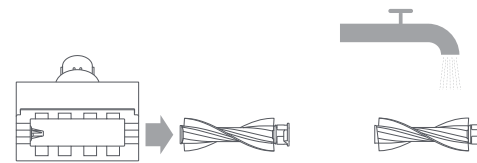


Limpieza del minicepillo eléctrico

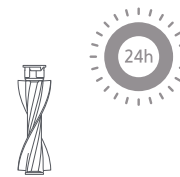
1. Utilice una moneda para girar el cierre en sentido contrario a las agujas del reloj, hasta que oiga un clic.



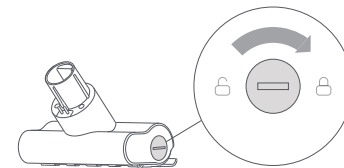
2. Tras desbloquear el rodillo, retírelo del minicepillo eléctrico y enjuague y limpie el rodillo.



3. Tras la limpieza, deje que el rodillo se seque completamente, poniéndolo en posición vertical en un área bien ventilada durante al menos 24 horas.



4. Cuando el rodillo esté seco, vuelva a colocarlo siguiendo los pasos del desmontaje a la inversa.



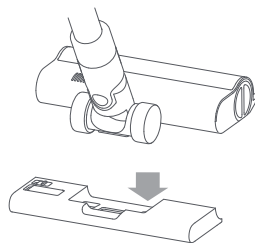
Cuidado y mantenimiento

Limpieza del depósito de agua y la almohadilla de la mopa

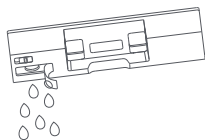
Notas:

- Cuando la aspiradora se esté cargando o no esté en uso, quite el depósito de agua y drene el agua restante para evitar la formación de moho y los olores persistentes.
- Para garantizar un rendimiento de limpieza óptimo, debería reemplazar la almohadilla de la mopa si está muy desgastada o dañada de modo que no se adhiera al depósito de agua.

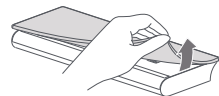
1. Deslice el depósito de agua hacia abajo para separarlo de la barra del cepillo de alto par inteligente.



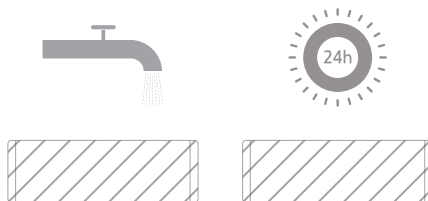
2. Vacíe el depósito de agua.



3. Extraiga la almohadilla de la mopa del depósito de agua.



4. Limpie y seque la almohadilla de la mopa.

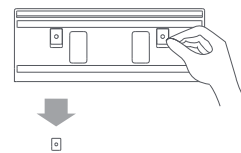


Filtro del dispensador de agua

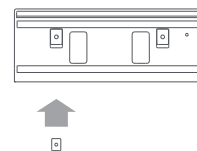
En caso de que el depósito de agua suministre el agua muy lentamente, o si se obstruye, debería sustituir el filtro del dispensador de agua.

Para garantizar una buena efectividad en el fregado, se recomienda sustituir el filtro del dispensador de agua una vez cada 3 o 6 meses, dependiendo de la calidad del agua y de la frecuencia de uso.

1. Use los dedos para sacar los filtros usados del dispensador de agua hacia la izquierda y derecha de cada ranura.



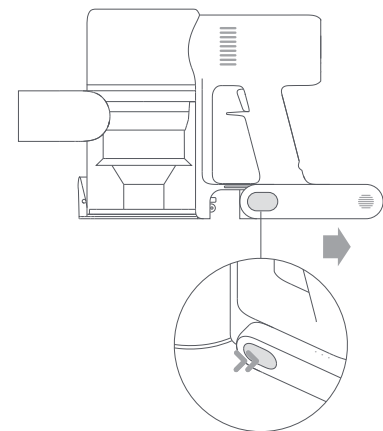
2. Inserte los nuevos filtros del dispensador de agua y asegúrese de que estén bien instalados.



Pack de batería

La aspiradora contiene un pack de batería de ion de litio recargable y extraíble que cuenta con un número limitado de ciclos de recarga. Tras un uso prolongado, el pack de batería dejará de poder realizar una carga. Si esto ocurre, significará que el pack de batería ha alcanzado el fin de su vida útil y deberá sustituirlo.

1. Pulse el botón de liberación del pack de batería y deslícelo hacia la derecha para sacarlo, como se muestra en la imagen.
2. Instale el nuevo pack de batería.



Especificaciones

Aspiradora			
Modelo	MJSCXCQPT	Tensión nominal	25,2 V ===
Tensión de carga	30,8 V ===	Capacidad nominal	3000 mAh
Potencia nominal	450 W	Capacidad del compartimento de polvo	0,6 L máx.
Tiempo de carga	Aproximadamente 4 horas	Peso neto	4.2 kg
Dimensiones del producto	1286 × 214 × 256 mm		

Barra del cepillo de alto par inteligente		Minicepillo eléctrico	
Modelo	G10-01	Modelo	1C-02
Potencia nominal	40 W	Potencia nominal	20 W
Tensión nominal	25.2 V ===	Tensión nominal	25.2 V ===

Cargador			
Fabricado por	Zhongshan Baolijin Electronic Co., Ltd.	Eficiencia activa media	87.5%
Modelo	BLJ24W308080P-V	Eficiencia en carga baja (10%)	77.9%
Entrada	100-240 V~ 50/60 Hz 0,8 A	Consumo de energía sin carga	0,10 W
Salida	30,8 V === 0,8 A 24,6 W		

Especificaciones

Pack de batería de ion de litio recargable			
Modelo de batería	P2046-7S1P-BC/P2046-7S1P-BCA	Capacidad nominal	3000 mAh
Tensión nominal	25,2 V ===	Capacidad nominal	2800 mAh
Energía	70,56 Wh		

El pack de batería de ion de litio contiene sustancias perjudiciales para el medio ambiente. Antes de desechar la aspiradora, quite el pack de batería y deséchelo o recíclelo siguiendo las leyes y reglamentos locales del país o región en el que se use.

Información sobre RAEE



Todos los productos que llevan este símbolo son residuos de aparatos eléctricos y electrónicos (RAEE según la directiva 2012/19/UE) que no deben mezclarse con residuos domésticos sin clasificar. En su lugar, debe proteger la salud humana y el medio ambiente entregando sus equipos de desecho a un punto de recogida para el reciclaje de residuos de equipos eléctricos y electrónicos, designado por el gobierno o las autoridades locales. La eliminación y el reciclado correctos ayudarán a evitar posibles consecuencias negativas para el medio ambiente y la salud humana. Póngase en contacto con el instalador o con las autoridades locales para obtener más información sobre la ubicación y las condiciones de dichos puntos de recogida.








Preguntas frecuentes

Error	Posible causa	Solución
La aspiradora no funciona.	No tiene batería o le queda poca.	Cargue completamente la aspiradora y reanude el uso.
	Activa el modo de protección contra sobrecalentamiento debido a una obstrucción.	Espere a que se enfríe la aspiradora y reactívela.
	La abertura de succión o el conducto de aire está bloqueado.	Limpie cualquier obstrucción de la abertura de succión o del conducto de aire.
La potencia de succión disminuye.	El compartimento de polvo está lleno y/o el filtro está obstruido.	Vacíe el compartimento de polvo y limpie el filtro.
	La barra del cepillo de alto par inteligente y/o la varilla de extensión están bloqueadas.	Despeje cualquier obstrucción de la barra del cepillo de alto par inteligente y/o la varilla de extensión.
El motor hace un ruido raro.	La abertura de succión principal o la varilla de extensión está bloqueada.	Limpie cualquier obstrucción en la abertura de succión principal o en la varilla de extensión.
El primer indicador aparece rojo después de encender la aspiradora.	El pack de batería está dañado.	Póngase en contacto con el servicio posventa para concertar una cita de mantenimiento.
El primer indicador parpadea en rojo al cargar la aspiradora.	El cargador no es compatible.	Utilice únicamente el cargador original para cargar la aspiradora.

Error	Posible causa	Solución
El indicador de batería no se enciende durante la carga.	El cargador no está conectado a la aspiradora.	Asegúrese de que el cargador esté bien conectado.
	La batería está totalmente cargada y cambió al modo de suspensión.	Puede utilizar la aspiradora como de costumbre.
	Si el problema persiste después de descartar las dos posibilidades anteriores, póngase en contacto con el servicio posventa para obtener ayuda.	
La batería se carga lentamente.	La temperatura de la batería es demasiado alta o baja.	Espere a que la temperatura de la batería se normalice y reanude el uso.
El depósito de agua no suministra agua, o la suministra lentamente.	El filtro del dispensador de agua está obstruido.	Limpie o sustituya el filtro del dispensador de agua.
	La almohadilla de la mopa está sucia.	Limpie o sustituya la almohadilla de la mopa.

Solución de problemas

Si la aspiradora no funciona con normalidad, en la pantalla aparecerá un mensaje de error. Consulte la tabla siguiente para encontrar la solución al problema en función del mensaje de error.

Icono del error	Mensaje del error	Solución
	Conducto de aire bloqueado	Despeje las obstrucciones del compartimento de polvo, la varilla de extensión y/o la barra del cepillo de alto par inteligente
	Batería baja	Recárguela cuanto antes.
	El rodillo está atascado	Consulte "Limpieza de la barra del cepillo de alto par inteligente" en la sección de Cuidado y mantenimiento para ver las instrucciones de cómo limpiar de pelo y otros desechos el rodillo.
	Batería agotada	Recárguela cuanto antes.
	Batería sobrecalentada	Espere a que la temperatura de la batería se normalice antes de reanudar el uso.
	Error	Póngase en contacto con el servicio posventa para concertar una cita de mantenimiento.
	Filtro no instalado	Asegúrese de que el filtro HEPA y el prefiltro están bien instalados.

Istruzioni di sicurezza

Questo prodotto è destinato esclusivamente all'utilizzo domestico. Leggere attentamente il presente manuale prima dell'uso del dispositivo e conservarlo per ogni riferimento futuro.

L'apparecchio può essere utilizzato da bambini di età superiore a 8 anni e da persone con capacità fisiche, sensoriali o mentali ridotte oppure da persone prive di esperienza o conoscenza dell'apparecchio, purché siano sorvegliate o siano state istruite sull'uso sicuro dell'apparecchio e comprendano i rischi che ne possono derivare. Non consentire ai bambini di giocare con l'apparecchio. Le operazioni di pulizia e manutenzione non devono essere effettuate da bambini, a meno che non siano sorvegliati. L'apparecchio deve essere utilizzato esclusivamente con l'alimentatore fornito con l'apparecchio. L'aspirapolvere non è un giocattolo. Questo prodotto non deve essere utilizzato come gioco o azionato da bambini. Prestare attenzione quando si utilizza l'aspirapolvere in presenza di bambini. Ai bambini non deve essere consentito eseguire operazioni di pulizia o manutenzione sull'aspirapolvere in assenza di un genitore o tutore.

Utilizzare l'aspirapolvere solo su superfici interne asciutte. Non installare, caricare o utilizzare questo prodotto all'aperto, ad esempio in stanze da bagno o vicino a una piscina.

Non toccare la spina o qualsiasi parte dell'aspirapolvere con le mani bagnate.

Per ridurre il rischio di incendio, esplosione o lesioni personali, verificare che la batteria agli ioni di litio e il caricabatterie non siano danneggiati prima dell'uso. Non utilizzare l'aspirapolvere se la batteria o il caricabatterie sono danneggiati.

La barra della spazzola a coppia elevata smart, la mini spazzola elettrica, la batteria, l'asta di prolunga e l'aspirapolvere conducono elettricità e non devono essere immersi in acqua o altri liquidi. Assicurarsi che tutte le parti siano completamente asciutte dopo averle pulite.

Per evitare lesioni causate da parti in movimento, spegnere l'aspirapolvere prima di pulire la barra della spazzola a coppia elevata smart e la mini spazzola elettrica. Prima di utilizzare l'aspirapolvere, è necessario installare correttamente la barra della spazzola a coppia elevata smart, il vano polvere e il filtro.

Istruzioni di sicurezza

Utilizzare esclusivamente il caricabatterie originale (modello: BLJ24W308080P-V) in dotazione con il prodotto.

Utilizzare esclusivamente il tipo di batteria approvato (modello: P2046-7S1P-BC/P2046-7S1P-BCA).

Se il caricabatterie o la batteria vengono danneggiati, è necessario sostituirli con un componente originale acquistato dal produttore o tramite il servizio di assistenza post-vendita.

Non utilizzare l'aspirapolvere per raccogliere liquidi infiammabili o combustibili, ad esempio benzina, candeggina, ammoniacca, prodotti per la pulizia degli scarichi o altri liquidi come acqua.

Non utilizzare l'aspirapolvere per raccogliere parti di muro, ceneri come la cenere del camino o materiali incandescenti come carbone, mozziconi di sigaretta o fiammiferi.

Non utilizzare l'aspirapolvere per raccogliere oggetti duri o taglienti, ad esempio vetro, chiodi, viti o monete, che potrebbero danneggiarlo.

Assicurarsi di tenere capelli, abiti larghi, dita e altre parti del corpo lontano dalle bocchette e dalle parti in movimento dell'aspirapolvere. Non puntare la bocchetta di aspirazione, l'asta di prolunga o altri accessori verso gli occhi o le orecchie, né metterli in bocca.

Non inserire oggetti nelle bocchette dell'aspirapolvere, né utilizzare l'aspirapolvere con le bocchette ostruite. Rimuovere polvere, lanugine, capelli o altri elementi che potrebbero ridurre il flusso dell'aria.

Non appoggiare l'aspirapolvere contro una sedia, un tavolo o altre superfici instabili per evitare il rischio di danni al prodotto o lesioni personali. Se l'aspirapolvere non funziona correttamente a causa di un urto o un danneggiamento, contattare il nostro reparto di assistenza autorizzato. Non tentare mai di smontare autonomamente l'aspirapolvere.

Per ricaricare la batteria, seguire scrupolosamente tutte le istruzioni contenute nel manuale utente. Se non viene caricata correttamente entro l'intervallo di temperatura specificato, la batteria potrebbe danneggiarsi.

Utilizzare esclusivamente il caricabatterie originale per ricaricare il prodotto in luoghi in cui la temperatura ambiente è compresa tra 0 e 40 °C; diversamente, la batteria rischia di danneggiarsi.

Prima di utilizzare l'aspirapolvere, è necessario installare correttamente il coperchio del vano polvere, il pre-filtro, il sistema ciclonico e il filtro HEPA.

Assicurarsi che l'aspirapolvere sia scollegato dalla corrente quando non viene utilizzato per lunghi periodi di tempo e prima di eseguire interventi di manutenzione o riparazioni.

Prestare la massima attenzione quando si utilizza l'aspirapolvere per pulire scale.

Pericolo di incendio: Non applicare alcun tipo di profumo sul filtro dell'aspirapolvere. In genere, questa tipologia di prodotti contiene sostanze chimiche infiammabili, che rischiano di far incendiare l'aspirapolvere.

Quando non è in uso, la batteria va tenuta lontano da qualsiasi oggetto metallico, ad esempio graffette, monete, chiavi, chiodi o viti. Il corto circuito dei terminali può causare ustioni o incendi.

In condizioni di uso scorretto, potrebbe fuoriuscire del liquido dalla batteria. Evitare il contatto con tale liquido poiché può causare irritazioni o ustioni. In caso di contatto, sciacquare con acqua. Se il liquido viene a contatto con gli occhi, rivolgersi a un medico.

NON esporre la batteria e l'apparecchio al fuoco poiché ciò potrebbe causare esplosioni.

NON esporre o immergere la batteria e l'apparecchio in acqua, acqua salata o altri liquidi.

Utilizzare il prodotto seguendo le istruzioni fornite nel manuale utente. Gli utilizzatori sono responsabili di eventuali perdite o danni derivanti dall'uso improprio dell'apparecchio.

Con la presente, Dreame (Tianjin) Information Technology Co., Ltd. dichiara che questo apparecchio è conforme alle direttive applicabili e alle norme europee, nonché ai relativi emendamenti. Il testo completo della dichiarazione di conformità UE è disponibile al seguente indirizzo Internet:

<http://www.mi.com/global/service/support/declaration.html>

Il manuale elettronico dettagliato è disponibile all'indirizzo www.mi.com/global/service/userguide

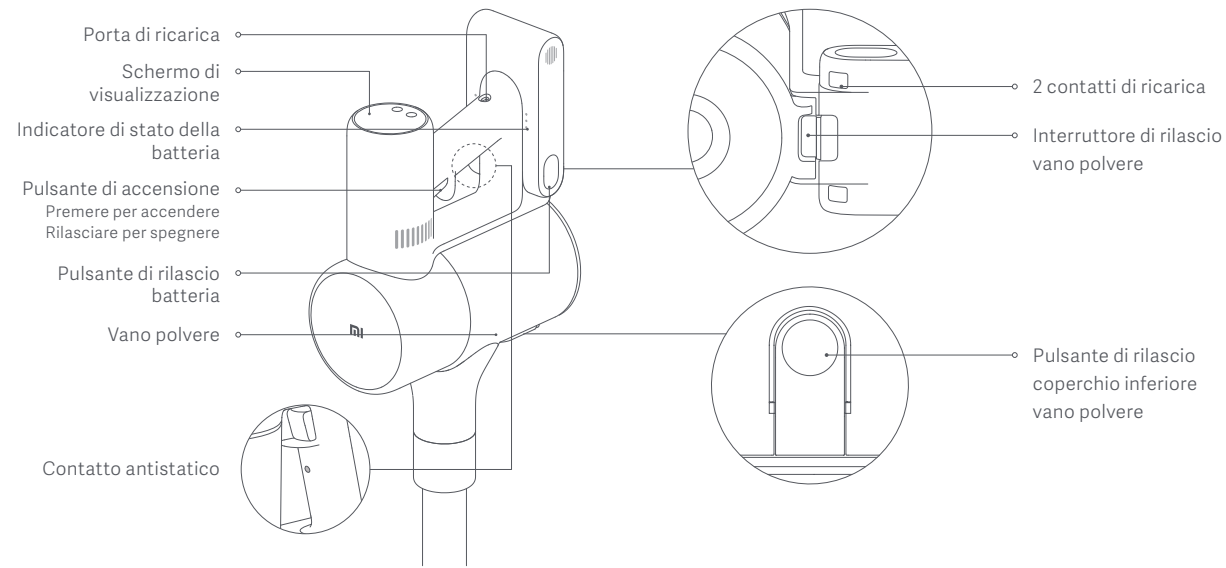
Panoramica del prodotto

Elenco accessori



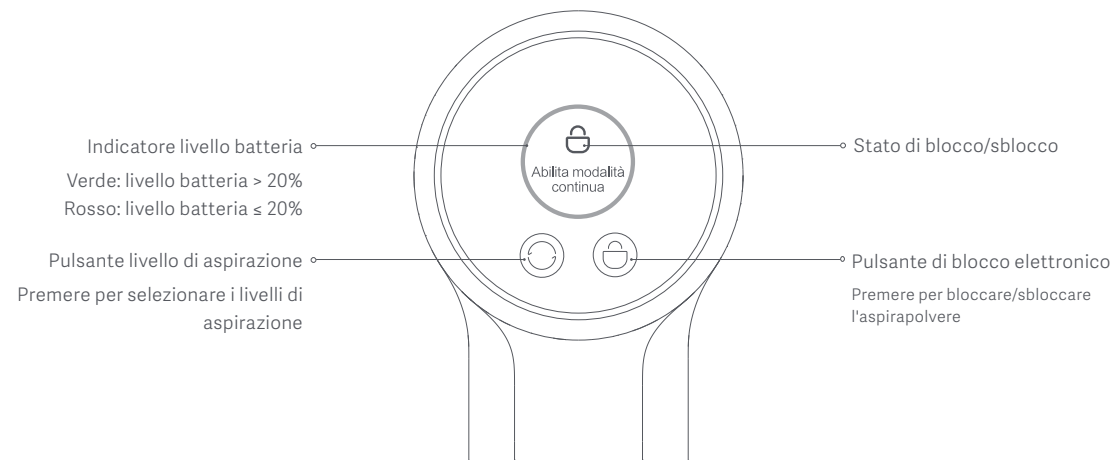
Nota: Le illustrazioni del prodotto, degli accessori e dell'interfaccia utente nel manuale utente sono solo a scopo di riferimento. Il prodotto e le funzioni effettive potrebbero variare a causa di miglioramenti del prodotto.

Nome componente



Panoramica del prodotto


Schermo di visualizzazione

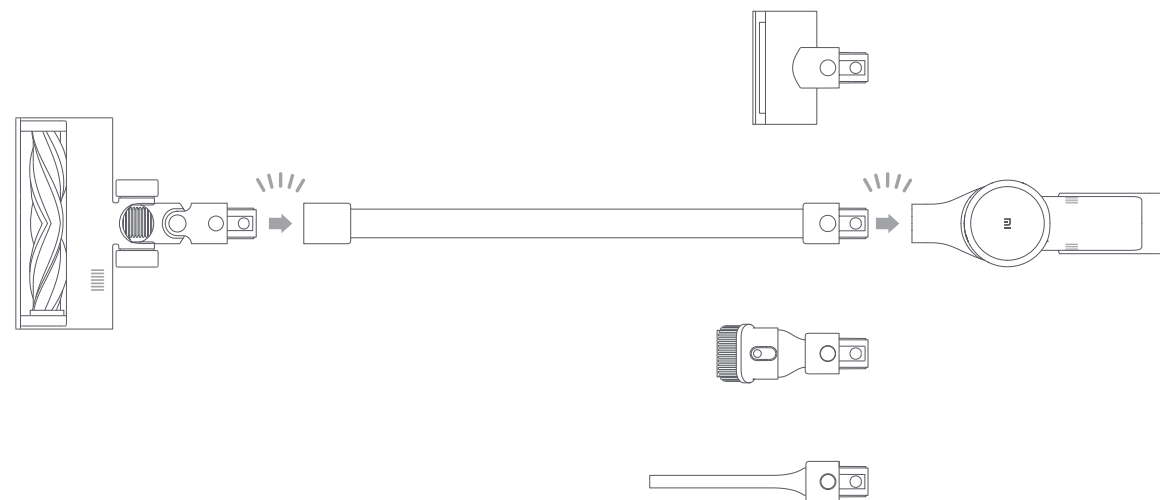


Nota: Se l'aspirapolvere non funziona correttamente, lo schermo di visualizzazione mostra un messaggio di errore. Per trovare una soluzione, consultare la sezione Risoluzione dei problemi.

Installazione

Installazione degli accessori nell'aspirapolvere

 Inserire fino a udire un clic che indica il posizionamento corretto



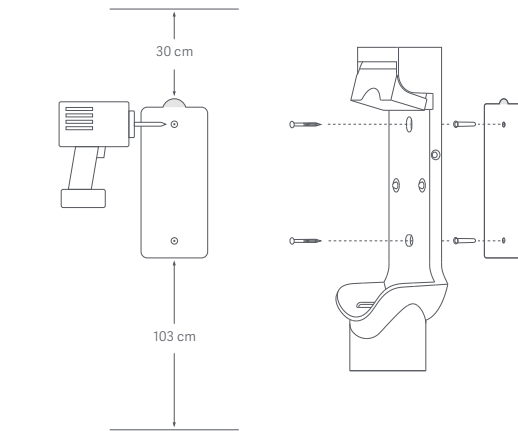
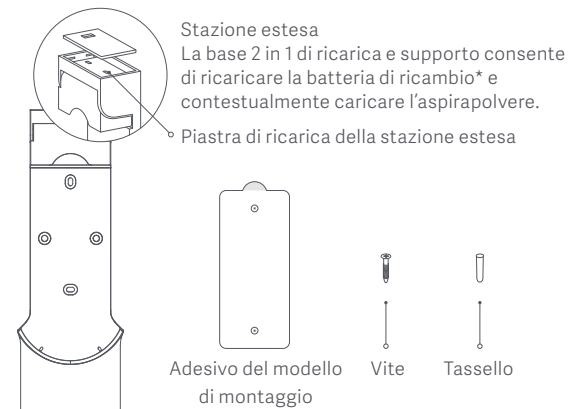
Nota: La mini spazzola elettrica non deve essere utilizzata con l'asta di prolunga.

Installazione

Installazione del supporto di ricarica e appoggio 2-in-1

1. Il supporto di ricarica e appoggio 2-in-1 deve essere installato in un luogo fresco e asciutto con una presa elettrica nelle vicinanze. Prima di installarlo, assicurarsi che non siano presenti fili o tubi nello spazio di installazione direttamente dietro al supporto.
2. La parte inferiore dell'adesivo del modello di montaggio deve essere piana e distante almeno 1,03 m da terra, mentre la parte superiore deve avere almeno 30 cm di spazio libero sopra di essa.

3. Utilizzare un trapano elettrico con una punta da 8 mm per praticare un foro su ciascun marcatore di foro sull'adesivo del modello di montaggio, quindi inserire un tassello in ciascun foro.
4. Allineare i fori di montaggio sul supporto di ricarica e appoggio 2-in-1 ai fori sulla parete, quindi fissare il supporto alla parete utilizzando le viti in dotazione.



Altezza consigliata: almeno 1,03 metri da terra

* La batteria sostituibile non è inclusa e deve essere acquistata separatamente.

Ricarica

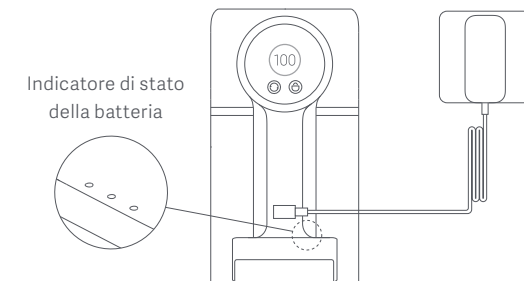
Indicatore di stato della batteria

- Spento ☀ Intermittente ● Acceso
- ☀ ○ ○ Batteria scarica
- ☀ ○ Batteria a metà
- ● ☀ Quasi carica
- ● ● Ricarica completata

Quando l'aspirapolvere è completamente carico, l'indicatore si spegne dopo 5 minuti e viene attivata la modalità di risparmio energetico.

Schermo di visualizzazione

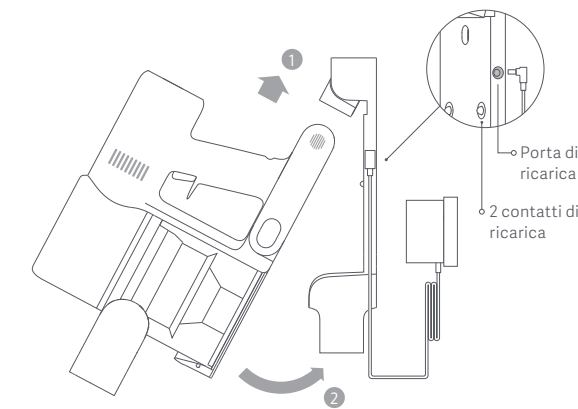
Il numero sullo schermo di visualizzazione indica il livello corrente della batteria in percentuale durante la ricarica. Quando il numero diventa 100, la batteria è completamente carica.



Ricarica dell'aspirapolvere con il caricabatterie

Note:




- Caricare completamente l'aspirapolvere prima di utilizzarlo per la prima volta. L'operazione richiede circa 4 ore.
- Non è possibile utilizzare l'aspirapolvere mentre viene ricaricato.
- L'aspirazione al massimo livello per un periodo prolungato causa il riscaldamento della batteria, il che può aumentare il tempo di ricarica. Prima di ricaricare l'aspirapolvere, si consiglia di lasciarlo raffreddare per 30 minuti.



Ricarica dell'aspirapolvere sul supporto di ricarica


Modalità d'utilizzo

Impostazione della lingua

Tenere premuto il pulsante  per 3 secondi per aprire l'elenco delle lingue, quindi premere il pulsante  per scorrere l'elenco e selezionare la lingua desiderata. Tenere premuto il pulsante  per 2 secondi per utilizzare la lingua selezionata.

Nota: Se non si esegue alcuna operazione per più di 10 secondi, lo schermo di visualizzazione viene disattivato.

Impostazione dei livelli di aspirazione

Premere il pulsante  per scegliere tra i livelli di aspirazione Eco, Standard/Automatico e ad alta potenza. Il livello di aspirazione corrispondente viene evidenziato sullo schermo di visualizzazione.

L'attivazione della modalità automatica, notificata sul display di visualizzazione con il messaggio "Auto", avviene soltanto in caso di utilizzo della barra della spazzola a coppia elevata smart. Il livello di aspirazione viene quindi modificato automaticamente dall'aspirapolvere, a seconda che si tratti di pavimento/piastrelle o tappeto.

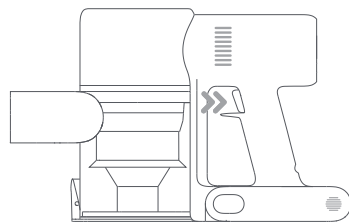
Note: Se si arresta l'aspirapolvere in qualsiasi momento durante la pulizia, al riavvio continuerà a utilizzare l'ultimo livello di aspirazione selezionato.

Modalità di funzionamento

L'aspirapolvere include due modalità di funzionamento. È possibile selezionare quella desiderata in base alle proprie esigenze di pulizia.



1. Modalità non continua

Tenere premuto il pulsante di accensione per avviare l'aspirapolvere, quindi rilasciarlo per arrestarlo.

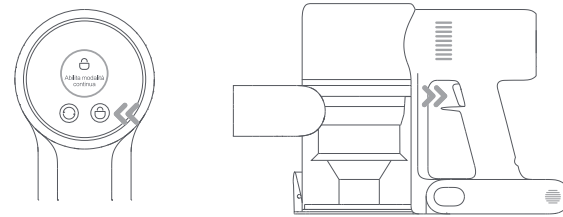


Modalità non continua

2. Modalità continua

Premere il pulsante  per attivare la modalità continua, quindi premere il pulsante di accensione per attivare l'aspirapolvere. Per uscire dalla modalità continua, premere il pulsante .

L'attivazione della modalità continua consente di far funzionare l'aspirapolvere in modo continuo senza dover tenere premuto il pulsante di accensione, ovvero consente di rilasciare le dita.



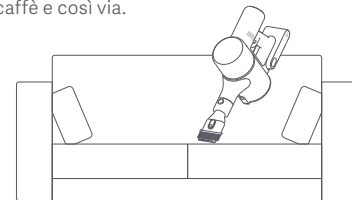
Modalità continua

Note:

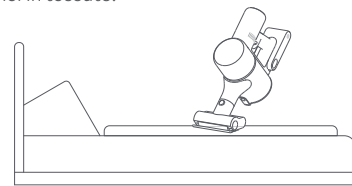
- In modalità continua, l'aspirapolvere entra in modalità standby quando si preme il pulsante di accensione e riprende a funzionare se si preme nuovamente tale pulsante.
- Se l'aspirapolvere rimane in modalità standby per più di 10 secondi, lo schermo di visualizzazione si spegne e l'aspirapolvere esce dalla modalità continua.

Uso degli accessori

Ugello a spazzola 2-in-1: per aspirare tende, divani, interni di veicoli, tavolini da caffè e così via.



Mini spazzola elettrica: per aspirare sporco, peli di animali domestici e altri residui ostinati da divani, biancheria da letto e altre superfici in tessuto.



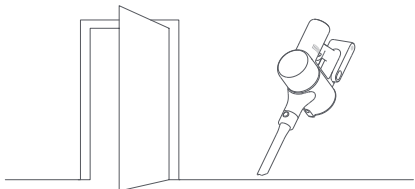
Note:

- Se una delle parti rotanti si blocca, l'aspirapolvere potrebbe spegnersi automaticamente. Eliminare eventuali corpi estranei intrappolati, quindi riprendere l'uso.
- Quando il motore si surriscalda, l'aspirapolvere si spegne automaticamente. Attendere che la temperatura della batteria torni alla normalità, quindi riprendere l'utilizzo.

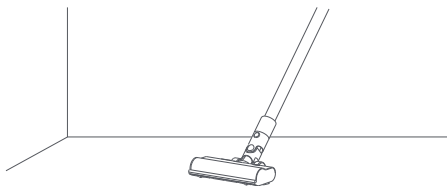
Modalità d'utilizzo

Uso degli accessori

Ugello per fessure: per aspirare fessure e zone strette intorno a porte, finestre, battiscopa, angoli, scale e così via.



Barra della spazzola a coppia elevata smart: per pulire diversi tipi di pavimenti come parquet, marmo, piastrelle e moquette a pelo corto. Quando è attiva la modalità automatica, l'aspirapolvere può regolare automaticamente il livello di aspirazione a seconda del tipo di superficie.



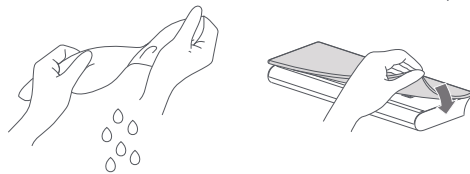
Nota: La barra della spazzola a coppia elevata smart può essere collegata direttamente all'aspirapolvere.

Utilizzo della funzione lavapavimenti

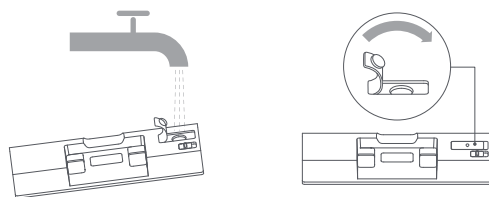
Note:

- Non calpestare il serbatoio dell'acqua per evitare di danneggiarlo in modo permanente.
- Per ottenere risultati ottimali, i pavimenti molto sporchi devono essere puliti con l'aspirapolvere prima del lavaggio.
- Non utilizzare la funzione lavapavimenti sulla moquette.
- Non utilizzare detergenti o disinfettanti.

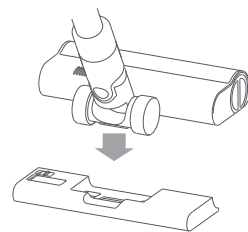
1. Inumidire il panno lavapavimenti e strizzare l'acqua in eccesso, quindi fissarlo saldamente al fondo del serbatoio dell'acqua.



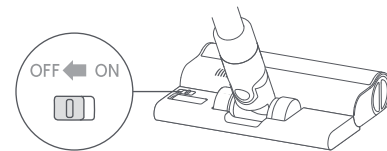
2. Aprire il tappo del serbatoio dell'acqua, aggiungere una quantità d'acqua pulita adeguata, quindi chiudere il tappo.



3. Fissare la barra della spazzola a coppia elevata smart al serbatoio dell'acqua allineando i magneti su ciascun componente finché non si agganciano.



4. Questa funzione è progettata per aspirare e pulire pavimenti in legno duro e piastrelle.



Note:

- La valvola a sfera nel serbatoio dell'acqua controlla la quantità d'acqua erogata. La sfera è una parte in movimento e può emettere un suono di rotolamento quando si avvia e si ferma. È normale.
- Quando l'aspirapolvere non viene utilizzato, spostare l'interruttore in posizione OFF.

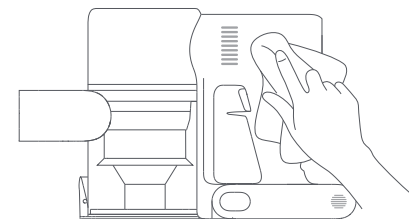
Cura e manutenzione

Precauzioni di manutenzione

- Utilizzare sempre parti originali per evitare che la garanzia decada.
- Se il filtro, l'asta di prolunga o la barra della spazzola a coppia elevata smart si intasa, l'aspirapolvere smette di funzionare in breve tempo. Per ripristinare la relativa funzionalità, pulire il componente intasato.
- Se l'aspirapolvere non viene utilizzato per un lungo periodo, ricaricarlo completamente, scollegarlo dalla presa di corrente, quindi conservarlo in un ambiente fresco e a bassa umidità, lontano dalla luce diretta del sole. Per evitare di scaricare eccessivamente la batteria, ricaricare l'aspirapolvere almeno una volta ogni tre mesi.

Pulizia dell'aspirapolvere

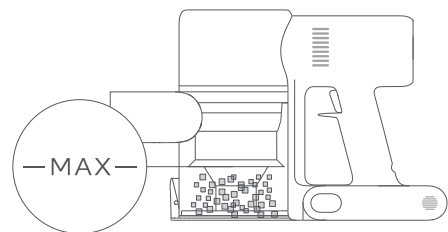
Pulire l'aspirapolvere con un panno morbido e asciutto.



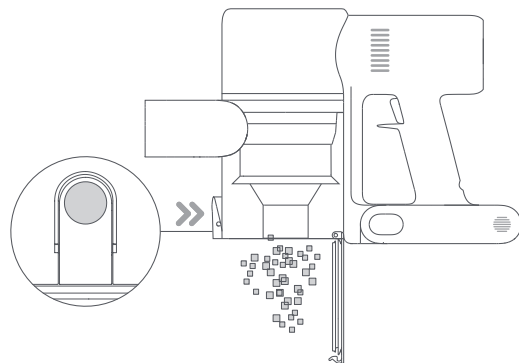
Cura e manutenzione

Pulizia del vano polvere, del pre-filtro e del sistema ciclonico

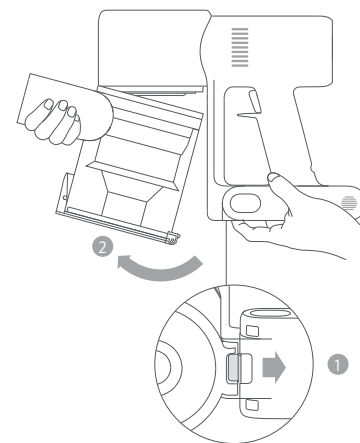
1. La capacità di pulizia dell'aspirapolvere si riduce se il vano polvere si riempie fino al segno "MAX". Per ripristinare le prestazioni, svuotare il vano polvere tempestivamente. Prima di svuotare il vano, assicurarsi che l'aspirapolvere sia disconnesso dalla presa di corrente e non premere il pulsante di accensione.



2. Premere il pulsante di rilascio del coperchio inferiore del vano polvere, quindi svuotare il contenuto.

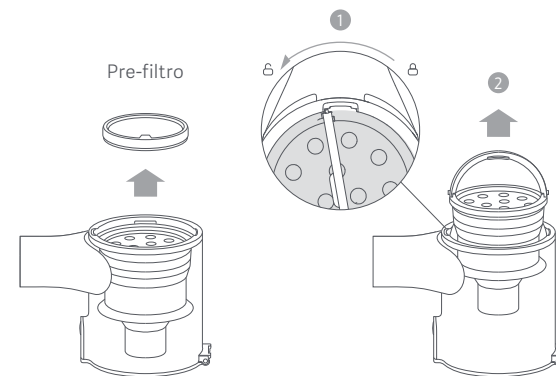


3. Spingere l'interruttore di rilascio del vano polvere nella direzione indicata dalla freccia, quindi rimuovere delicatamente il vano polvere dall'aspirapolvere.



Interruttore di rilascio vano polvere

4. Rimuovere prima il pre-filtro, quindi sollevare l'impugnatura del sistema ciclonico e ruotarla in senso antiorario fino all'arresto, quindi tirare per sollevare il sistema ciclonico.



Cura e manutenzione

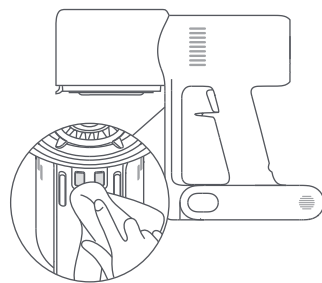
5. Sciacquare il pre-filtro, il sistema ciclonico e il vano polvere con acqua finché non risultano puliti, quindi mettere da parte ciascun componente per almeno 24 ore per farlo asciugare completamente.



Note:

- Il vano polvere deve essere risciacquato almeno una volta al mese.
- Il pre-filtro e il sistema ciclonico devono essere puliti una volta ogni 3-4 mesi.

Se i punti di contatto dell'aspirapolvere sono sporchi, pulirli con un panno morbido asciutto.

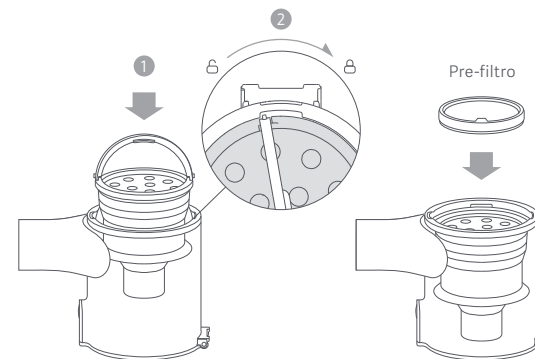


Note:

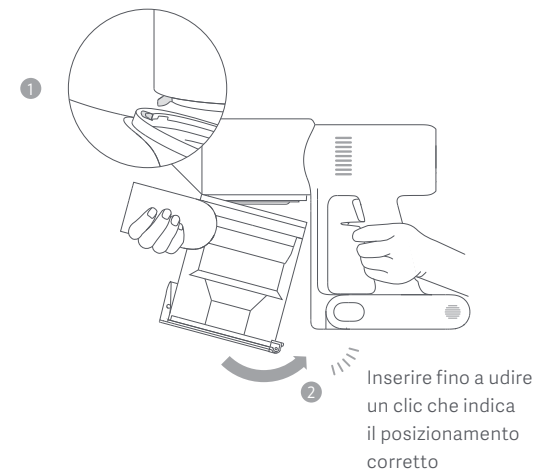
- Per pulire il vano polvere, non utilizzare detersivi, lucidanti o deodoranti per ambienti.
- Non pulire il vano polvere, il pre-filtro o il sistema ciclonico in lavastoviglie o lavatrice, né tentare di asciugare qualsiasi componente in un'asciugatrice, un forno, un forno a microonde o vicino a fiamme vive.

Installazione del vano polvere, del pre-filtro e del sistema ciclonico

1. Inserire il sistema ciclonico verticalmente nel vano polvere assicurandosi che l'impugnatura del sistema ciclonico sia allineata alla fessura sul lato sinistro del vano polvere. Ruotare l'impugnatura in senso orario finché non si blocca, quindi tirarla verso il basso.
2. Posizionare il pre-filtro con il lato anteriore rivolto verso il sistema ciclonico.



3. Inclinare leggermente il vano polvere in modo che il relativo alloggiamento risulti allineato al fermo dell'aspirapolvere. Quindi premere delicatamente il vano polvere finché non scatta in posizione.

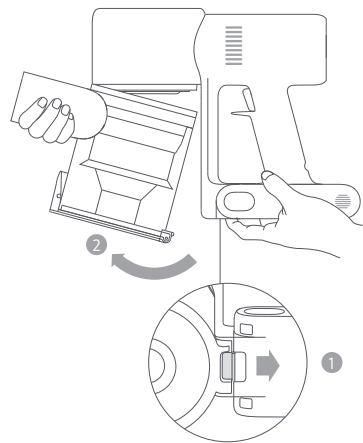


Cura e manutenzione

Pulizia del filtro HEPA

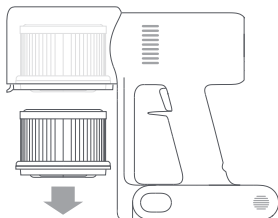
Nota: Si consiglia di pulire il filtro HEPA una volta ogni 4-6 mesi.

1. Rimuovere il vano polvere come mostrato nella figura.



Interruttore di rilascio vano polvere

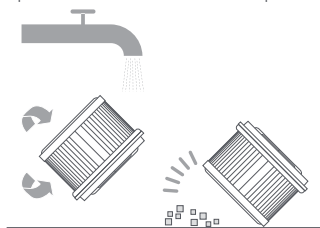
2. Rimuovere il filtro HEPA dall'aspirapolvere tirandolo verso il basso nella direzione mostrata nella figura.



3. Pulire il filtro HEPA con acqua pulita. Assicurarsi di ruotare il filtro HEPA di 360° per rimuovere accuratamente tutta la polvere intrappolata nel filtro. Picchiettare leggermente il filtro più volte per rimuovere lo sporco in eccesso.

Note:

- Per pulire il filtro, utilizzare esclusivamente acqua pulita. Non utilizzare detersivi.
- Non tentare di pulire il filtro HEPA con una spazzola o con le dita.

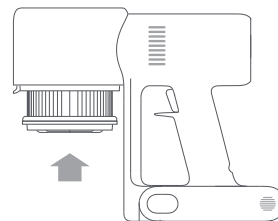


4. Lasciare asciugare completamente il filtro HEPA per almeno 24 ore.

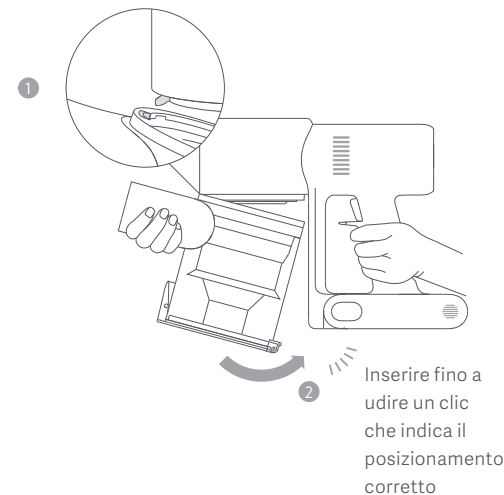


Installazione del filtro HEPA

1. Inserire il filtro HEPA nell'aspirapolvere, quindi premere delicatamente verso il basso, come illustrato.



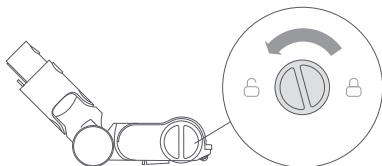
2. Reinstallare il vano polvere.



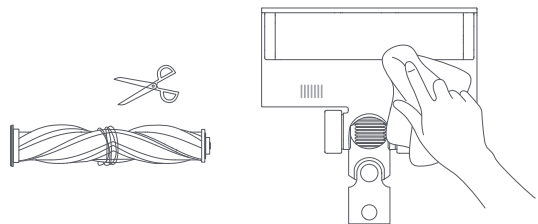
Cura e manutenzione

Pulizia della barra della spazzola a coppia elevata smart

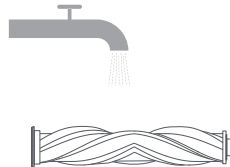
1. Ruotare il blocco in senso antiorario fino all'arresto, quindi rimuovere la spazzola a rullo dalla barra della spazzola a coppia elevata.



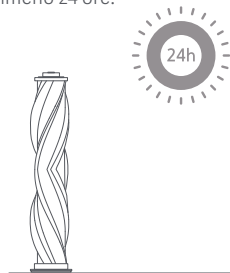
2. Utilizzare delle forbici per tagliare ed estrarre capelli o altri detriti aggrovigliati intorno alla spazzola a rullo. Rimuovere la polvere in eccesso dall'alloggiamento e dal coperchio in plastica trasparente con un panno asciutto o un tovagliolo di carta.



3. Dopo un uso prolungato, la spazzola a rullo può diventare molto sporca e deve essere lavata.

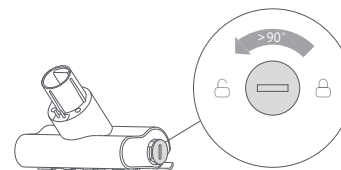


4. Dopo il lavaggio, lasciare asciugare completamente la spazzola a rullo mantenendola in posizione verticale in un'area ben ventilata per almeno 24 ore.

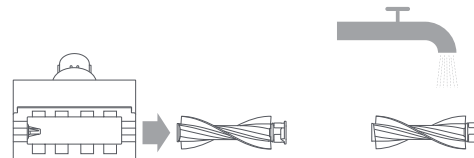


Pulizia della mini spazzola elettrica

1. Usare una monetina per ruotare il blocco in senso antiorario finché non si sente un clic.



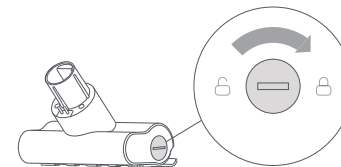
2. Dopo aver sbloccato la spazzola a rullo, rimuoverla dalla mini spazzola elettrica, quindi sciacquare e pulire la spazzola a rullo.



3. Dopo il lavaggio, lasciare asciugare completamente la spazzola a rullo mantenendola in posizione verticale in un'area ben ventilata per almeno 24 ore.



4. Quando è asciutta, reinstallare la spazzola a rullo seguendo a ritroso le istruzioni fornite per lo smontaggio.



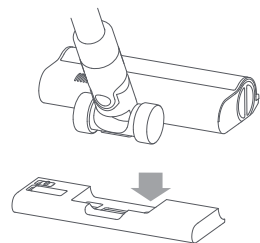
Cura e manutenzione

Pulizia del serbatoio dell'acqua e del panno lavapavimenti

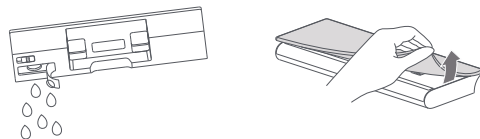
Note:

- Quando l'aspirapolvere è in carica o non è in uso, rimuovere il serbatoio dell'acqua e scaricare l'acqua residua per evitare la formazione di muffa o di odori persistenti.
- Se il panno lavapavimenti è consumato o danneggiato e non si attacca più al serbatoio dell'acqua, è necessario sostituirlo per garantire prestazioni di pulizia ottimali.

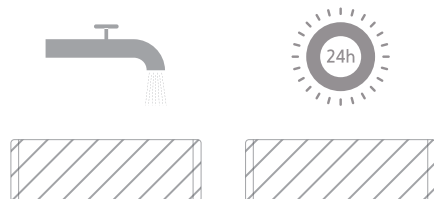
1. Far scorrere il serbatoio dell'acqua verso il basso per staccarlo dalla barra della spazzola a coppia elevata smart.



2. Svuotare il serbatoio dell'acqua.
3. Rimuovere il panno lavapavimenti dal serbatoio dell'acqua.



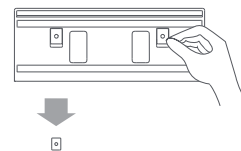
4. Pulire e far asciugare il panno lavapavimenti.



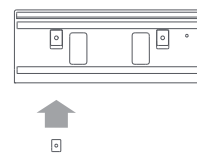
Filtri dell'erogatore d'acqua

Se il serbatoio dell'acqua eroga l'acqua troppo lentamente o si intasa, è necessario sostituire i filtri dell'erogatore d'acqua. Per garantire un'efficacia di lavaggio ottimale, si consiglia di sostituire i filtri dell'erogatore d'acqua una volta ogni 3-6 mesi in base alla qualità dell'acqua e alla frequenza d'uso.

1. Utilizzare le dita per estrarre i vecchi filtri dell'erogatore d'acqua sui lati sinistro e destro di ciascun alloggiamento.



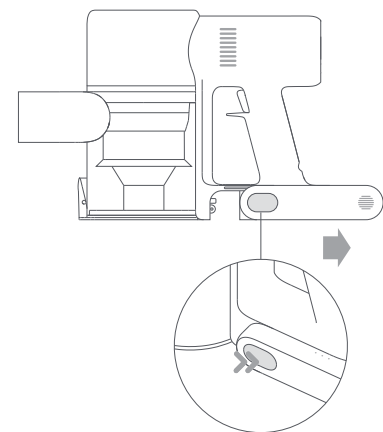
2. Inserire i nuovi filtri dell'erogatore d'acqua, quindi verificare che siano installati correttamente.



Batteria

L'aspirapolvere contiene una batteria ricaricabile agli ioni di litio rimovibile che dispone di un numero limitato di cicli di ricarica. Dopo un uso prolungato, la batteria potrebbe non mantenere più la carica. Se ciò si verifica, la batteria ha raggiunto la fine del ciclo di vita e deve essere sostituita.

1. Premere il pulsante di rilascio della batteria e farla scorrere verso destra per rimuoverla.
2. Installare la nuova batteria.



Specifiche tecniche

Aspirapolvere			
Modello	MJSCXCQPT	Tensione nominale	25,2 V ---
Tensione di ricarica	30,8 V ---	Capacità nominale	3000 mAh
Potenza nominale	450 W	Capacità del vano polvere	Max 0,6 l
Tempo di ricarica	Circa 4 ore	Peso netto	4.2 kg
Dimensioni articolo	1286 × 214 × 256 mm		

Barra della spazzola a coppia elevata smart		Mini spazzola elettrica	
Modello	G10-01	Modello	1C-02
Potenza nominale	40 W	Potenza nominale	20 W
Tensione nominale	25,2 V ---	Tensione nominale	25,2 V ---

Caricabatterie			
Fabbricato da	Zhongshan Baolijin Electronic Co., Ltd.	Efficienza attiva media	87.5%
Modello	BLJ24W308080P-V	Efficienza a basso carico (10%)	77.9%
Potenza in ingresso	100-240 V~ 50/60 Hz 0,8 A	Consumo di energia a vuoto	0,10 W
Potenza in uscita	30,8 V --- 0,8 A 24,6 W		

Batteria agli ioni di litio ricaricabile			
Modello batteria	P2046-7S1P-BC/P2046-7S1P-BCA	Capacità nominale	3000 mAh
Tensione nominale	25,2 V ---	Capacità nominale	2800 mAh
Energia	70,56 Wh		

La batteria agli ioni di litio contiene sostanze pericolose per l'ambiente. Prima di gettare via l'aspirapolvere, rimuovere la batteria, quindi smaltirla o riciclarla in conformità alle leggi e alle normative locali del Paese o dell'area in cui viene utilizzato.

Informazioni RAEE



Tutti i prodotti contrassegnati da questo simbolo sono rifiuti di apparecchiature elettriche ed elettroniche (RAEE in base alla direttiva 2012/19/UE) che non devono essere smaltiti assieme a rifiuti domestici non differenziati. Al contrario, è necessario proteggere l'ambiente e la salute umana consegnando i rifiuti a un punto di raccolta autorizzato al riciclaggio di rifiuti di apparecchiature elettriche ed elettroniche, predisposto dalla pubblica amministrazione o dalle autorità locali. Lo smaltimento e il riciclaggio corretti aiutano a prevenire conseguenze potenzialmente negative all'ambiente e alla salute umana. Contattare l'installatore o le autorità locali per ulteriori informazioni sulla sede e per i termini e le condizioni di tali punti di raccolta.








Domande Frequenti

Errore	Possibile causa	Soluzione
L'aspirapolvere non funziona.	La batteria è completamente o quasi scarica.	Caricare completamente l'aspirapolvere, quindi riprendere l'uso.
	Entra in modalità di protezione da surriscaldamento attivata da un'ostruzione.	Attendere che l'aspirapolvere si raffreddi, quindi riattivarlo.
	La bocchetta di aspirazione o il passaggio dell'aria è ostruito.	Rimuovere le ostruzioni dalla bocchetta di aspirazione o dal passaggio dell'aria.
La potenza di aspirazione è diminuita.	Il vano polvere è pieno e/o il filtro è intasato.	Svuotare il vano polvere e pulire il filtro.
	La barra della spazzola a coppia elevata smart e/o l'asta di prolunga è ostruita.	Rimuovere le ostruzioni dalla barra della spazzola a coppia elevata smart e/o dall'asta di prolunga.
Il motore emette un rumore strano.	La bocchetta di aspirazione principale o l'asta di prolunga è ostruita.	Rimuovere le ostruzioni dalla bocchetta di aspirazione principale o dall'asta di prolunga.
La prima spia è rossa dopo l'accensione dell'aspirapolvere.	La batteria è danneggiata.	Contattare il servizio di assistenza post-vendita per la manutenzione.
La prima spia lampeggia in rosso durante la ricarica dell'aspirapolvere.	Il caricabatterie non è compatibile.	Per ricaricare l'aspirapolvere, utilizzare esclusivamente il caricabatterie originale.

Errore	Possibile causa	Soluzione
La spia della batteria non si accende durante la ricarica.	Il caricabatterie non è collegato all'aspirapolvere.	Assicurarsi che il caricabatterie sia collegato correttamente.
	La batteria è completamente carica e si è avviata la modalità di risparmio energia.	È possibile utilizzare l'aspirapolvere normalmente.
	Se il problema persiste anche dopo aver escluso le due ipotesi indicate in precedenza, contattare il servizio post-vendita per ottenere assistenza.	
La batteria si ricarica lentamente.	La temperatura della batteria è troppo bassa o troppo alta.	Attendere che la temperatura della batteria torni alla normalità, quindi riprendere l'utilizzo.
Il serbatoio dell'acqua non eroga acqua o eroga acqua lentamente.	I filtri dell'erogatore d'acqua sono intasati.	Pulire o sostituire i filtri dell'erogatore d'acqua.
	Il panno lavapavimenti è sporco.	Pulire o sostituire il panno lavapavimenti.

Risoluzione dei problemi

Se l'aspirapolvere non funziona correttamente, lo schermo di visualizzazione mostra un messaggio di errore. Per trovare una soluzione in base al messaggio di errore, consultare la tabella di risoluzione dei problemi riportata di seguito.

Icona errore	Messaggio di errore	Soluzione
	Passaggio dell'aria bloccato	Rimuovere le ostruzioni dal vano polvere, dall'asta di prolunga e/o dalla barra della spazzola a coppia elevata smart.
	Batteria scarica	Ricaricarla tempestivamente.
	La spazzola a rullo è bloccata	Per istruzioni su come rimuovere capelli e altri detriti impigliati nella spazzola a rullo, consultare "Pulizia della barra della spazzola a coppia elevata smart" nella sezione Cura e manutenzione.
	Batteria esaurita	Ricaricarla tempestivamente.
	Batteria surriscaldata	Prima di riprendere l'utilizzo, attendere che la temperatura della batteria torni alla normalità.
	Errore	Contattare il servizio di assistenza post-vendita per la manutenzione.
	Filtro non installato	Assicurarsi che il filtro HEPA e il pre-filtro siano installati correttamente.

Consignes relatives à la sécurité

Ce produit est conçu pour une utilisation domestique uniquement. Lisez attentivement ce manuel avant toute utilisation et conservez-le pour pouvoir le consulter ultérieurement.

Cet appareil peut être utilisé par des enfants de 8 ans et plus, ainsi que par des personnes aux aptitudes physiques, sensorielles ou mentales réduites ou encore manquant d'expérience et de connaissances, à condition qu'ils soient surveillés ou sensibilisés à l'utilisation sécurisée de l'appareil et qu'ils aient compris les risques impliqués. Il est déconseillé de laisser les enfants jouer avec l'appareil. Le nettoyage et l'entretien ne doivent pas être effectués par un enfant sans surveillance.

L'appareil ne doit être utilisé qu'avec le bloc d'alimentation fourni avec l'appareil.

Cet aspirateur n'est pas un jouet. Les enfants ne peuvent pas jouer avec ou utiliser ce produit. Veuillez faire attention lorsque vous utilisez l'aspirateur près d'enfants. Ne laissez pas les enfants nettoyer ou effectuer une maintenance de l'aspirateur, sauf s'ils sont sous la supervision d'un parent ou tuteur.

Utilisez l'aspirateur à l'intérieur, sur des surfaces sèches uniquement. Ce produit ne doit pas être installé, chargé ou utilisé à l'extérieur, dans une salle de bains ou autour d'une piscine.

Ne touchez pas la prise, ni aucun élément de l'aspirateur avec des mains humides.

Afin de réduire le risque d'incendie, d'explosion ou de blessure corporelle, veuillez vérifier que la batterie lithium-ion et le chargeur ne sont pas endommagés avant utilisation. N'utilisez pas l'aspirateur si la batterie ou le chargeur n'est pas en bon état.

La barre de brosse intelligente à couple élevé, la mini brosse électrique, la batterie, la tige de rallonge et l'aspirateur sont conducteurs d'électricité et ne doivent pas être immergés dans l'eau ou tout autre liquide. Vérifiez que toutes les pièces sont complètement sèches après les avoir nettoyées.

Afin d'éviter toute blessure causée par les pièces mobiles, éteignez l'aspirateur avant de nettoyer la barre de brosse intelligente à couple élevé et la mini brosse électrique. La barre de brosse intelligente à couple élevé, le compartiment à poussière et le filtre doivent être installés correctement avant utilisation de l'aspirateur. Utilisez uniquement le chargeur d'origine (modèle : BLJ24W308080P-V) fourni avec ce produit.

Consignes relatives à la sécurité

Utilisez uniquement le type de batterie approuvé (modèle P2046-7S1P-BC/P2046-7S1P-BCA).

Si le chargeur ou la batterie est endommagé(e), vous devez le/la remplacer par une pièce dédiée achetée auprès du fabricant ou de son service après-vente.

N'utilisez pas l'aspirateur pour aspirer des liquides inflammables ou combustibles, comme de l'essence, de l'eau de javel, de l'ammoniac, des nettoyants pour canalisations ou tout autre liquide, y compris de l'eau.

N'utilisez pas l'aspirateur pour aspirer des particules de plâtre, des cendres, des matériaux de combustion ou des substances fumigènes, tels que du charbon, des mégots de cigarette ou des allumettes.

N'utilisez pas l'aspirateur pour aspirer des objets durs ou pointus, comme du verre, des clous, des vis ou des pièces de monnaie, sous peine d'endommager le produit.

Gardez les cheveux, les vêtements, les doigts ou autre partie du corps à l'écart des éléments mobiles ou pouvant s'ouvrir. Ne pointez pas le suceur, le tube ni tout autre accessoire vers vos yeux ou vos oreilles. Ne les mettez pas dans votre bouche.

Ne placez aucun objet dans les orifices de l'aspirateur. N'utilisez pas l'aspirateur en cas d'obstruction d'un des orifices. Retirez la poussière, les peluches, les cheveux ou tout autre élément susceptible de réduire le flux d'air.

Ne posez pas l'aspirateur contre une chaise, une table ou toute autre surface instable, car cela pourrait endommager le produit ou entraîner des blessures corporelles. Si l'aspirateur fonctionne mal après être tombé ou avoir été endommagé, veuillez contacter le service après-vente agréé. Ne tentez jamais de démonter l'appareil vous-même.

Toutes les instructions du manuel relatives à la recharge de l'appareil doivent être suivies scrupuleusement. Vous pourriez endommager l'aspirateur si vous ne le chargez pas dans la plage de températures spécifiée. Utilisez uniquement le chargeur d'origine pour charger le produit dans les environnements avec une température ambiante de 0 à 40 °C. Sinon, la batterie risque de subir des dommages.

Le compartiment à poussière, le préfiltre, l'ensemble cyclone et le filtre HEPA doivent être correctement installés avant utilisation de l'aspirateur.

Veillez à débrancher l'aspirateur lorsqu'il n'est pas utilisé pendant une période prolongée ou avant tout entretien ou toute réparation.

Soyez extrêmement vigilant lorsque vous utilisez l'aspirateur pour nettoyer un escalier.

Avertissement sur le risque d'incendie : N'appliquez aucun parfum sur le filtre de l'aspirateur. Ces types de produits contiennent généralement des produits chimiques inflammables, à cause desquels l'aspirateur pourrait prendre feu.

Quand la batterie n'est pas utilisée, gardez-la à l'écart de tout objet métallique, tels que les trombones, pièces de monnaie, clés, clous ou vis. Mettre les bornes de la batterie en contact augmente le risque d'incendie et de brûlures.

Toute utilisation non conforme peut provoquer des jets de liquide au niveau de la batterie. Éviter tout contact avec le liquide, qui peut provoquer des irritations ou des brûlures. En cas de contact, rincer à l'eau claire. En cas de projection de liquide dans les yeux, consultez un médecin.

Conservez la batterie et l'appareil à l'abri des flammes, qui peuvent entraîner leur explosion.

Conservez la batterie et l'appareil à l'abri de l'eau douce, de l'eau salée et de tout autre liquide. Ne les immergez pas dans le moindre liquide.

Veillez utiliser ce produit conformément aux instructions du Mode d'emploi. Les utilisateurs sont responsables des pertes ou dommages découlant d'une mauvaise utilisation de ce produit.

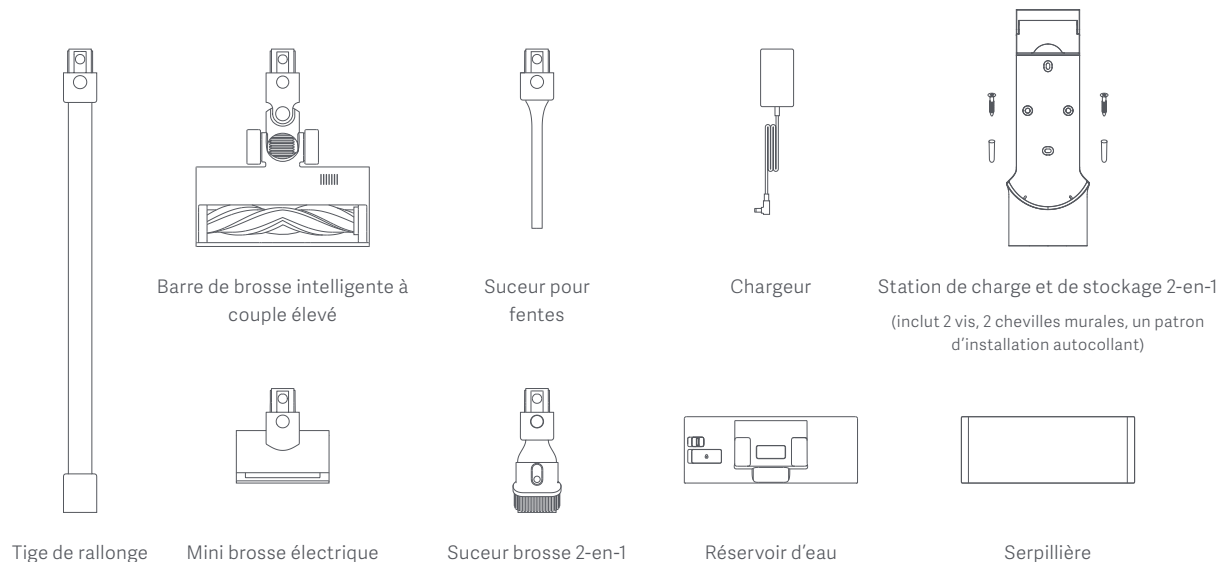
Par la présente, Dreame (Tianjin) Information Technology Co., Ltd., déclarons que cet équipement est conforme aux directives et normes européennes applicables, ainsi qu'à leurs amendements. L'intégralité de la déclaration de conformité pour l'UE est disponible à l'adresse suivante :

<http://www.mi.com/global/service/support/declaration.html>

Pour obtenir un manuel électronique détaillé, rendez-vous sur le site www.mi.com/global/service/userguide

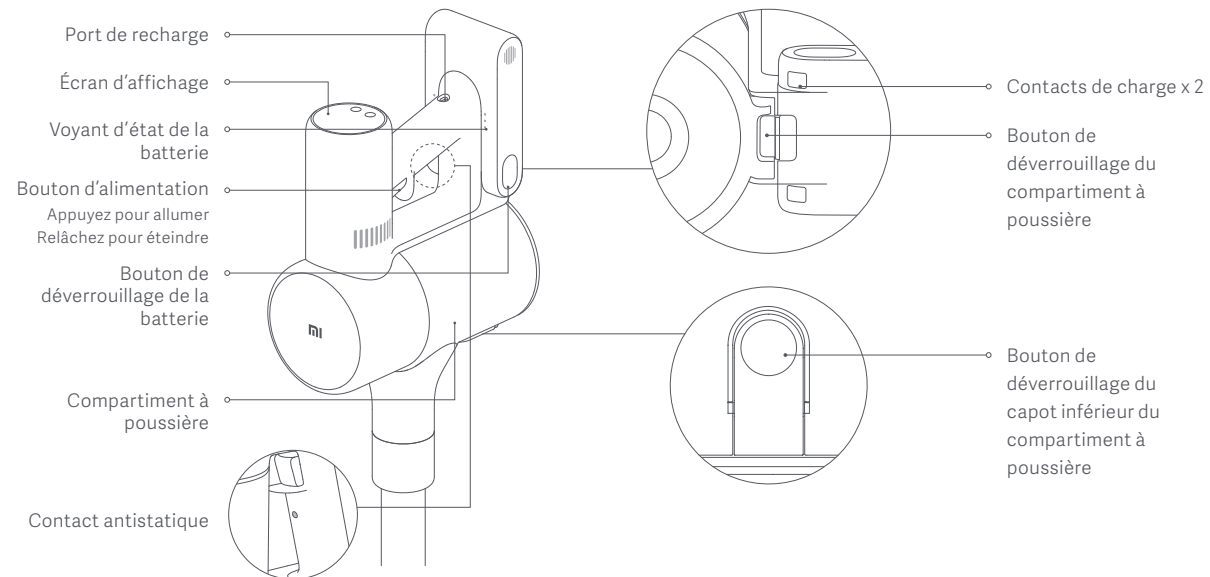
Présentation du produit

Liste des accessoires



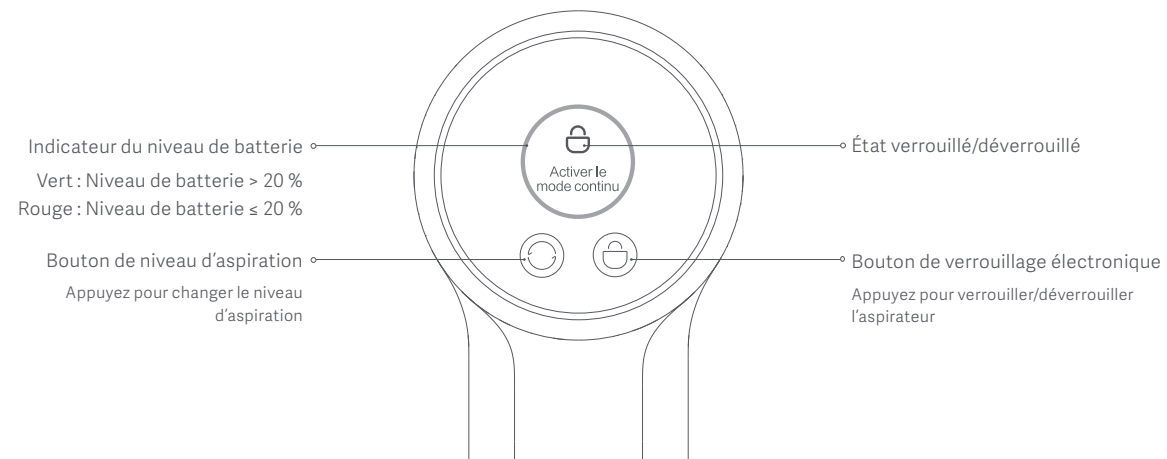
Remarque : Les illustrations du produit, des accessoires et de l'interface utilisateur présentes dans le manuel d'utilisation sont uniquement fournies à titre indicatif. Le produit actuel et les fonctions effectives peuvent varier en raison des améliorations apportées au produit.

Nom du composant



Présentation du produit

Écran d'affichage

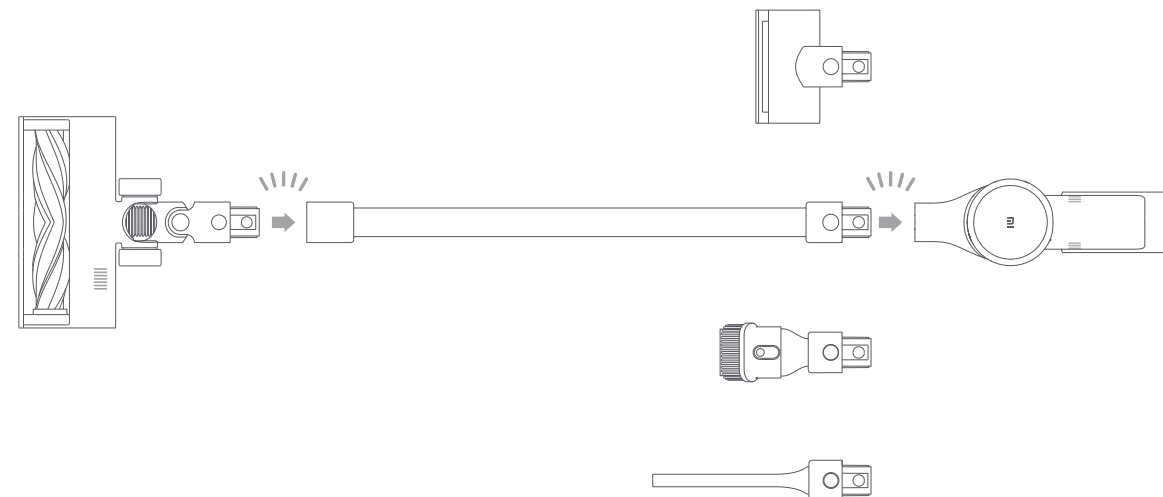


Remarque : Si l'aspirateur connaît une panne, un message d'erreur apparaîtra sur l'écran d'affichage. Pour trouver une solution, veuillez consulter la section Dépannage.

Procédure d'installation

Installation des accessoires sur l'aspirateur

🔊 Insérez jusqu'à entendre un déclic

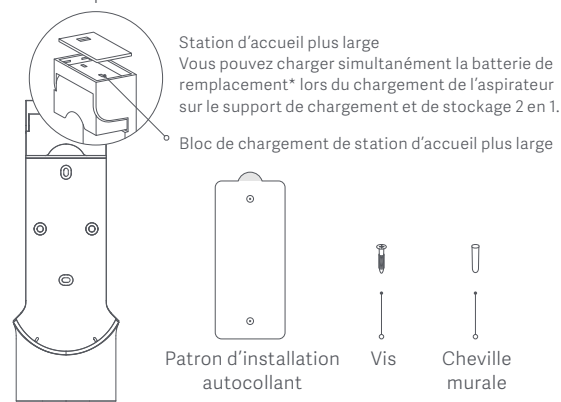


Remarque : La mini brosse électrique ne doit pas être utilisée avec la tige de rallonge.

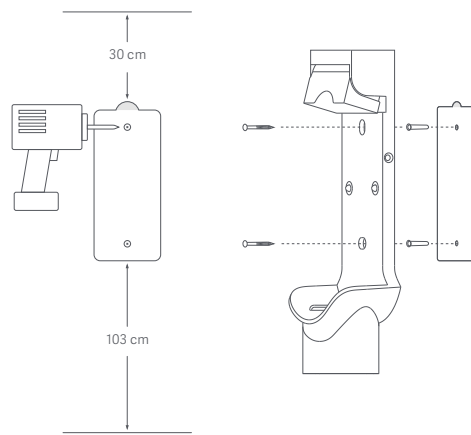
Procédure d'installation

Installation de la station de charge et de stockage 2-en-1

1. La station de charge et de stockage 2-en-1 doit être installée dans un lieu sec et frais, à proximité d'une prise électrique. Avant l'installation, vérifiez qu'il n'y ait pas de fil électrique ou de tuyauterie dans l'espace directement situé derrière l'emplacement où sera placée la station.
2. Le bas du patron d'installation autocollant doit être horizontal et à 1,03 m du sol minimum. Un espace de 30 cm doit être libre au-dessus du patron.



3. Utilisez une perceuse électrique avec une fraise de 8 mm pour percer un trou à chaque emplacement indiqué sur le patron d'installation. Ensuite, insérez une cheville murale dans chaque trou.
4. Alignez les trous de montage sur la station de charge et de stockage 2-en-1 et ceux percés dans le mur. Fixez la station au mur à l'aide des vis fournies.



Hauteur recommandée : Au minimum 1,03 mètre du sol

Recharge

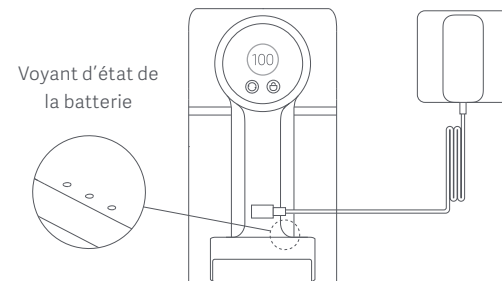
Voyant d'état de la batterie

- Arrêt ✨ Clignotant ● Marche
- ✨ ○ ○ Batterie faible
- ✨ ○ Batterie à moitié vide
- ● ✨ Batterie presque pleine
- ● ● Entièrement chargée

Une fois l'aspirateur entièrement chargé, le voyant s'éteint au bout de 5 minutes et l'appareil passe en mode économie d'énergie.

Écran d'affichage

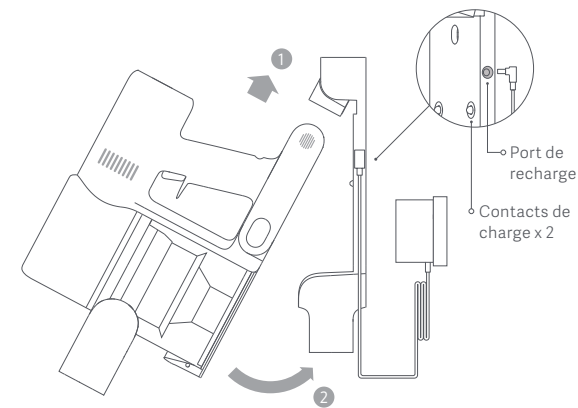
Le nombre figurant sur l'écran d'affichage représente le niveau de batterie actuel en pourcentage pendant la charge. Lorsque ce nombre atteint 100, la batterie est complètement chargée.



Recharge de l'aspirateur avec le chargeur

Remarques :

- Chargez entièrement la batterie de l'aspirateur avant la première utilisation. Cette opération dure environ 4 heures.
- L'aspirateur ne peut pas être utilisé pendant la charge.
- Le fonctionnement de l'appareil au plus haut niveau d'aspiration pendant une période prolongée peut entraîner la surchauffe de la batterie, ce qui est susceptible d'augmenter le temps de charge. Avant de recharger l'aspirateur, il est préférable de le laisser refroidir pendant 30 minutes.






Recharge de l'aspirateur sur la station de charge

* La batterie de remplacement n'est pas incluse et doit être achetée séparément.


Utilisation

Configuration de la langue

Appuyez et maintenez le bouton  enfoncé pendant 3 secondes pour ouvrir la liste de langues disponibles. Ensuite, appuyez sur le bouton  pour parcourir la liste des langues et sélectionnez celle désirée. Maintenez le bouton  enfoncé pendant 2 secondes pour choisir la langue sélectionnée.

Remarque : L'écran d'affichage s'éteindra automatiquement après 10 secondes d'inactivité.

Modification des niveaux d'aspiration

Appuyez sur le bouton  pour modifier le niveau d'aspiration : économique, standard/auto ou haute puissance. Le niveau d'aspiration correspondant apparaîtra en surbrillance sur l'écran d'affichage.

Ce n'est que lors de l'utilisation de la barre à brosse intelligente à couple élevé que le mode automatique sera activé et que la notification "Auto" apparaîtra sur l'écran d'affichage. L'aspirateur change alors automatiquement le niveau d'aspiration entre le sol/carrelage et le tapis.

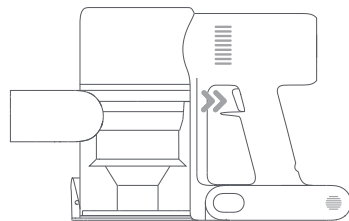
Remarque : Si vous arrêtez l'aspirateur à tout moment pendant votre session de nettoyage, il conservera le même niveau d'aspiration lorsqu'il sera rallumé.

Modes de fonctionnement

L'aspirateur dispose de deux modes de fonctionnement. Sélectionnez le mode désiré en fonction de vos besoins.



1. Mode non continu

Maintenez le bouton marche/arrêt pour allumer l'aspirateur. Relâchez le bouton pour l'arrêter.

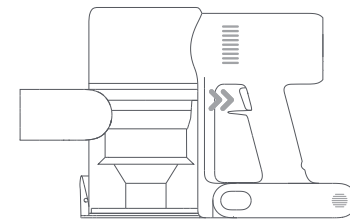


Mode non continu

2. Mode continu

Appuyez sur le bouton  pour activer le mode continu. Appuyez ensuite sur le bouton marche/arrêt pour allumer l'appareil. Pour quitter le mode continu, appuyez sur le bouton .

Activer le mode continu permet à l'aspirateur de fonctionner en continu, sans que vous ayez à maintenir enfoncé le bouton d'alimentation.



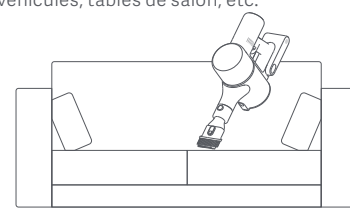
Mode continu

Remarques :

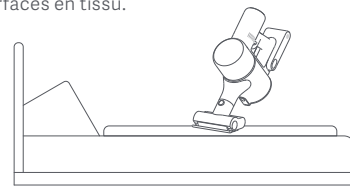
- En mode continu, l'aspirateur passera en mode veille si vous appuyez sur le bouton marche/arrêt. Il redémarrera si vous appuyez de nouveau sur ce bouton.
- Si l'aspirateur est en mode veille pendant plus de 10 secondes, l'écran d'affichage s'éteindra et l'appareil sortira du mode continu.

Utilisation des différents accessoires

Suceur brosse 2-en-1 : Pour l'aspiration de rideaux, canapés, intérieur de véhicules, tables de salon, etc.



Mini brosse électrique : Pour l'aspiration de poussière, poils d'animaux et autres résidus tenaces sur des canapés, linges de lit et autres surfaces en tissu.



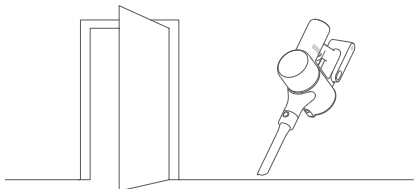
Remarques :

- Si un pièce rotative se coince, l'aspirateur est susceptible de s'éteindre automatiquement. Retirez tout objet coincé dans l'aspirateur, puis poursuivez votre utilisation.
- Quand le moteur surchauffe en fonctionnement, l'aspirateur s'éteint automatiquement. Attendez que la température de la batterie revienne à un niveau normal, puis poursuivez votre utilisation.

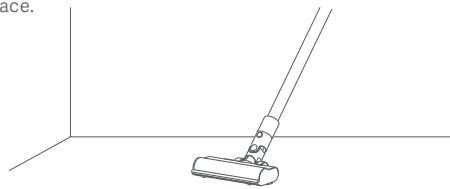
Utilisation

Utilisation des différents accessoires

Suceur pour fentes : Pour l'aspiration de fentes étroites et autour des portes, fenêtres, plinthes, ainsi que dans les coins, les escaliers, etc.



Barre de brosse intelligente à couple élevé : Pour le nettoyage de différents types de sols (bois, marbre, carrelage et moquette courte). Quand le mode automatique est activé, l'aspirateur ajuste automatiquement son niveau d'aspiration en fonction du type de surface.



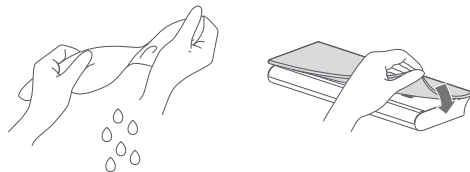
Remarque : La barre de brosse intelligente à couple élevé peut être fixée directement à l'aspirateur.

Utilisation de la fonction lavage

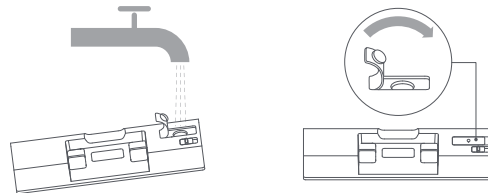
Remarques :

- Ne prenez pas appui sur le réservoir d'eau, car vous risqueriez de l'endommager de façon permanente.
- Les sols particulièrement sales doivent être aspirés avant lavage pour de meilleurs résultats.
- N'utilisez pas la fonction lavage sur la moquette ou les tapis.
- N'utilisez pas de produits de nettoyage ou de désinfectants.

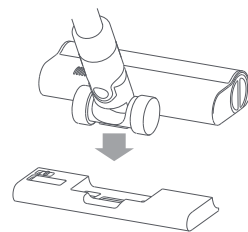
1. Humidifiez la serpillière et essorez-la pour éliminer l'excès d'eau, puis fixez-la solidement en bas du réservoir d'eau.



2. Ouvrez le goulot du réservoir d'eau, ajoutez le volume d'eau claire approprié et refermez-le.



3. Fixez la barre de brosse intelligente à couple élevé au réservoir d'eau en alignant les aimants situés sur chacune de ces pièces jusqu'à ce qu'ils soient parfaitement assemblés.



4. Cette fonction est conçue pour l'aspiration et le lavage de parquets et de sols en carrelage.



Remarques :

- La vanne à boule du réservoir d'eau régule la quantité d'eau distribuée. La boule est une pièce mobile. Elle est susceptible d'émettre un bruit de roulement au démarrage et à l'arrêt. C'est tout à fait normal.
- Lorsque l'aspirateur n'est pas en cours d'utilisation, maintenez l'interruption sur la position Arrêt.

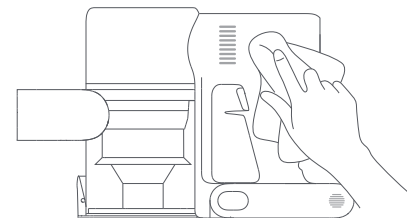
Entretien et maintenance

Précautions concernant la maintenance

- Utilisez toujours des pièces d'origine, faute de quoi la garantie pourrait être annulée.
- En cas d'obstruction du filtre, de la tige de rallonge ou de la barre de brosse intelligente à couple élevé, l'aspirateur s'arrête rapidement de fonctionner. Nettoyez l'élément encombré afin de rétablir son fonctionnement.
- Si vous ne prévoyez pas d'utiliser l'aspirateur pendant une période prolongée, chargez-le entièrement, débranchez-le, puis entreposez-le dans un endroit frais, à l'abri de l'humidité et de la lumière directe du soleil. Afin d'éviter une décharge excessive de la batterie, rechargez l'aspirateur au moins une fois tous les trois mois.

Nettoyage de l'aspirateur Vacuum Cleaner

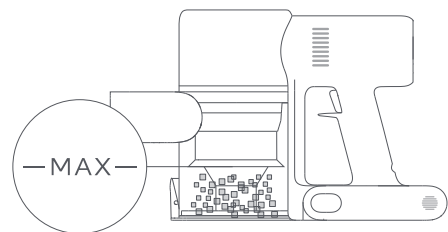
Essayez l'aspirateur avec un chiffon doux et sec.



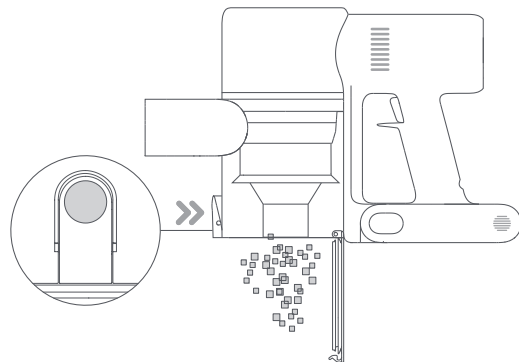
Entretien et maintenance

Nettoyage du compartiment à poussière, du préfiltre et de l'ensemble cyclone

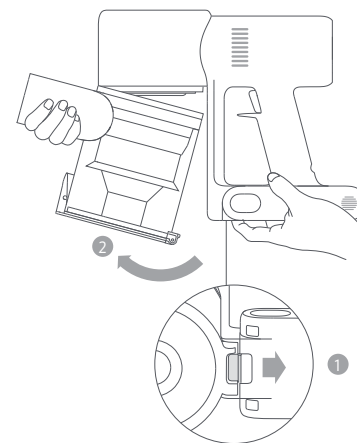
1. La capacité de nettoyage de l'aspirateur diminuera si le compartiment à poussière est rempli jusqu'au niveau « MAX ». Videz-le pour améliorer les performances. Avant de vider le compartiment, assurez-vous d'avoir bien débranché l'aspirateur et n'appuyez pas sur le bouton marche/arrêt.



2. Appuyez sur le bouton de déverrouillage du capot inférieur du compartiment à poussière, puis videz celui-ci.

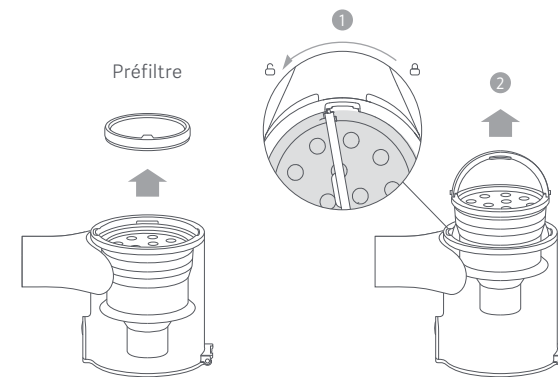


3. Poussez l'interrupteur de déverrouillage du compartiment à poussière dans la direction indiquée par la flèche, puis retirez délicatement le compartiment à poussière de l'aspirateur.



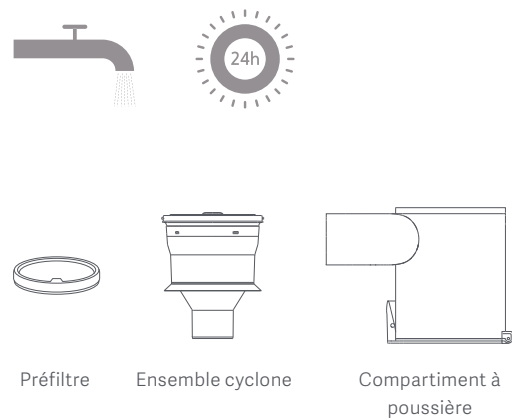
Bouton de déverrouillage du compartiment à poussière

4. Retirez d'abord le préfiltre, puis levez la poignée de l'ensemble cyclone et tournez-la dans le sens inverse des aiguilles d'une montre jusqu'à ce qu'elle ne puisse plus tourner. Tirez ensuite pour soulever l'ensemble cyclone.



Entretien et maintenance

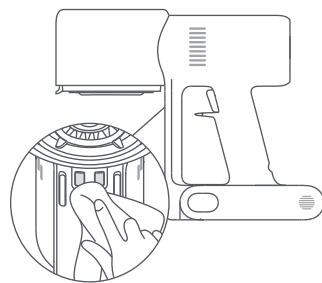
5. Rincez le préfiltre, l'ensemble cyclone et le compartiment à poussière avec de l'eau jusqu'à ce qu'ils soient propres. Ensuite, laissez les composants sécher pendant au moins 24 heures.



Remarques :

- Le compartiment à poussière doit être rincé au moins une fois par mois.
- Le préfiltre et l'ensemble cyclone doivent être nettoyés une fois tous les 3 à 4 mois.

Essayez les points de contact de l'aspirateur avec un chiffon doux et sec s'ils sont sales.

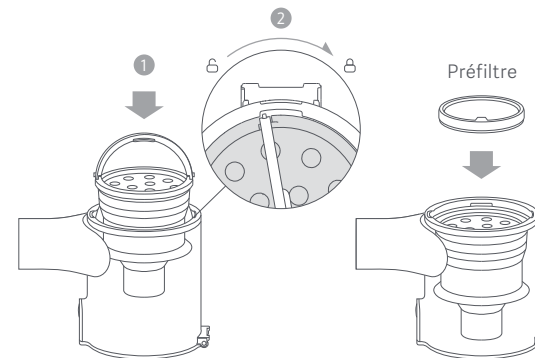


Remarques :

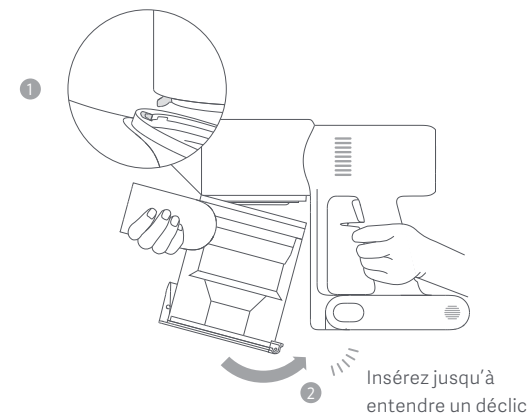
- N'utilisez pas de détergents, cirages ou désodorisants pour rincer le compartiment à poussière.
- Ne nettoyez pas le compartiment à poussière, le préfiltre ou l'ensemble cyclone dans un lave-vaisselle ou un lave-linge. Ne séchez pas les pièces dans un sèche-linge, un four, un four à micro-ondes ou dans un endroit à proximité d'une flamme nue.

Installation du compartiment à poussière, du préfiltre et de l'ensemble cyclone

1. Insérez l'ensemble cyclone à la verticale dans le compartiment à poussière. Assurez-vous que la poignée de l'ensemble cyclone est alignée avec l'encoche située à gauche du compartiment à poussière. Tournez la poignée dans le sens des aiguilles d'une montre jusqu'à ce qu'elle se verrouille, puis rabattez-la.
2. Placez le préfiltre face vers le haut dans l'ensemble cyclone.



3. Inclinez légèrement le compartiment à poussière pour que son encoche soit alignée avec le clip sur l'aspirateur. Enfoncez délicatement le compartiment à poussière jusqu'à entendre un dé clic.

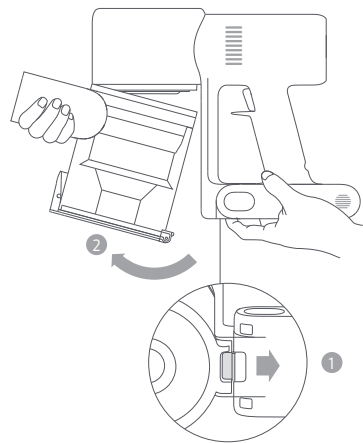


Entretien et maintenance

Nettoyage du filtre HEPA

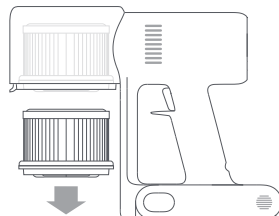
Remarque : Il est recommandé de nettoyer le filtre HEPA tous les 4 à 6 mois.

1. Retirez le compartiment à poussière comme illustré sur le schéma.



Bouton de déverrouillage du compartiment à poussière

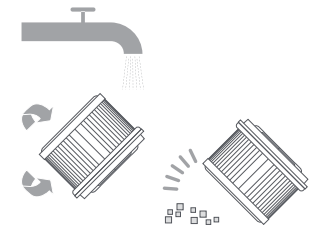
2. Retirez le filtre HEPA de l'aspirateur en tirant dessus, dans la direction indiquée sur le schéma.



3. Nettoyez le filtre HEPA avec de l'eau claire. Assurez-vous de faire pivoter le filtre HEPA à 360° afin de bien éliminer toute poussière coincée dedans. Tapotez légèrement le filtre plusieurs fois pour éliminer tout excès de poussière.

Remarques :

- Pour nettoyer le filtre, n'utilisez que de l'eau claire. N'utilisez pas de détergents.
- N'essayez pas de nettoyer le filtre HEPA avec une brosse ou vos doigts.

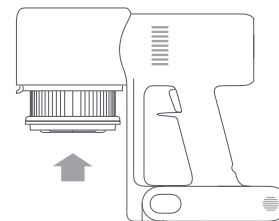


4. Laissez le filtre HEPA sécher complètement pendant au moins 24 heures.

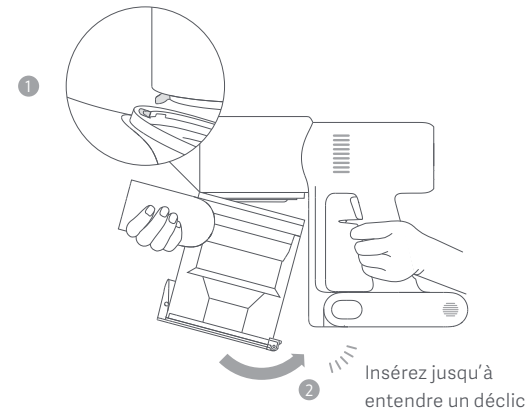


Installation du filtre HEPA

1. Insérez le filtre HEPA dans l'aspirateur et enfoncez-le délicatement, comme indiqué sur le schéma.



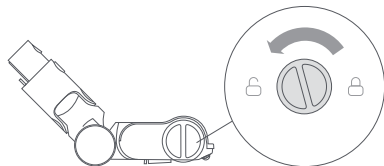
2. Réinstallez le compartiment à poussière.



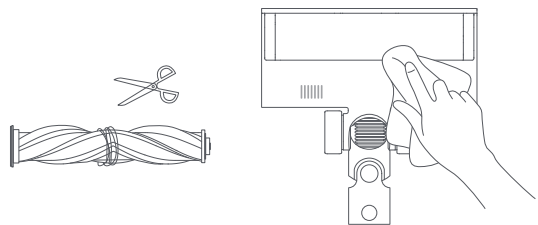
Entretien et maintenance

Nettoyage de la barre de brosse intelligente à couple élevé

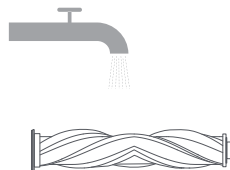
1. Tournez le verrou dans le sens inverse des aiguilles d'une montre jusqu'à ne plus pouvoir le tourner, puis retirez la brosse à roulette de la barre de brosse à couple élevé.



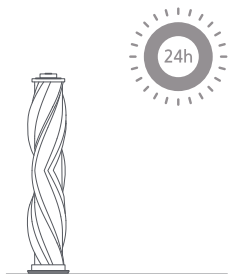
2. À l'aide de ciseaux, coupez et enlevez tout cheveu, poil ou autre saleté enroulé autour de la brosse à roulette. Enlevez tout excès de poussière de l'encoche et du couvercle en plastique transparent à l'aide d'un chiffon sec ou de papier absorbant.



3. Après un usage prolongé, la brosse à roulette peut être sale et doit être nettoyée.

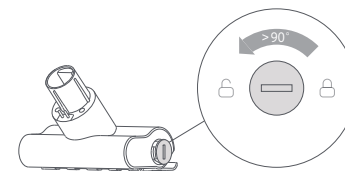


4. Après nettoyage de la brosse à roulette, laissez-la sécher complètement à la verticale dans un endroit bien aéré pendant au moins 24 heures.

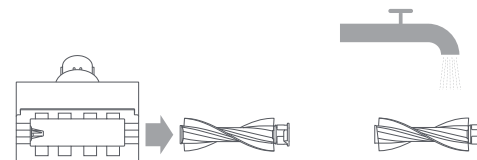


Nettoyage de la mini brosse électrique

1. Utilisez une pièce de monnaie pour faire tourner le verrou dans le sens inverse des aiguilles d'une montre jusqu'à entendre un déclic.



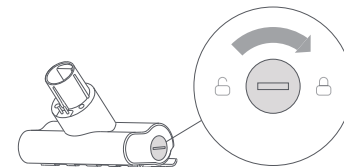
2. Une fois la brosse à roulette déverrouillée, retirez-la de la mini brosse électrique, puis rincez et nettoyez la brosse à roulette.



3. Après nettoyage de la brosse à roulette, laissez-la sécher complètement à la verticale dans un endroit bien aéré pendant au moins 24 heures.



4. Dès que la brosse à roulette est sèche, réinstallez-la en suivant la procédure de démontage dans l'ordre inverse.



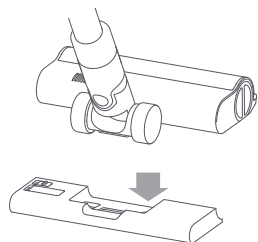
Entretien et maintenance

Nettoyage du réservoir d'eau et de la serpillière

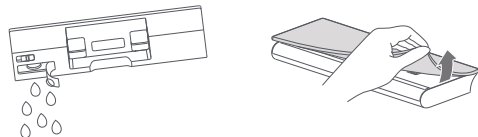
Remarques :

- Quand l'aspirateur est en charge ou non utilisé, retirez le réservoir d'eau et videz toute eau restante pour éviter les moisissures ou odeurs persistantes.
- Une serpillière usée ou endommagée, qui n'adhère plus au réservoir d'eau, doit être remplacée pour des performances de nettoyage optimales.

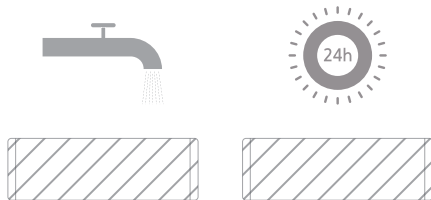
1. Faites glisser le réservoir d'eau vers le bas pour le détacher de la barre de brosse intelligente à couple élevé.



2. Videz le réservoir d'eau.
3. Retirez la serpillière du réservoir d'eau.



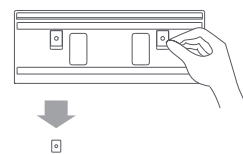
4. Nettoyez la serpillière, puis séchez-la



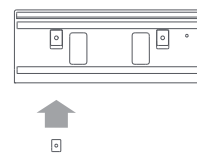
Filtres du distributeur d'eau

Les filtres du distributeur d'eau doivent être remplacés si le réservoir d'eau délivre de l'eau trop lentement ou est obstrué. Pour un nettoyage optimal, il est recommandé de remplacer les filtres du distributeur d'eau tous les 3 à 6 mois, selon la qualité de l'eau et la fréquence d'utilisation.

1. Avec vos doigts, faites glisser les anciens filtres du distributeur d'eau vers la gauche ou la droite de chaque emplacement.



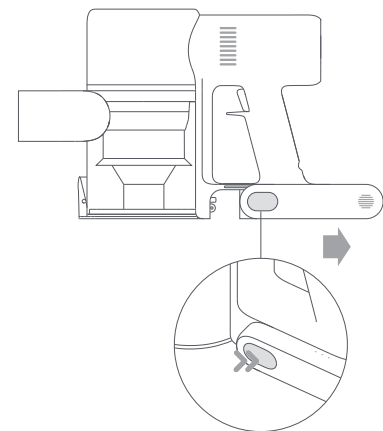
2. Insérez les nouveaux filtres dans le distributeur d'eau et vérifiez leur bonne installation.



Batterie

L'aspirateur contient une batterie lithium-ion rechargeable disposant d'un nombre limité de cycles de charge. Après un usage prolongé, la batterie est susceptible de se décharger rapidement. Si c'est le cas, cela signifie que la batterie est arrivée au bout de sa durée de vie et doit être remplacée.

1. Appuyez sur le bouton de déverrouillage de la batterie et faites-la glisser vers la droite pour la retirer, comme illustré sur le schéma.
2. Installez la nouvelle batterie.



Caractéristiques

Aspirateur			
Modèle	MJSCXCQPT	Tension nominale	25,2 V ===
Tension de charge	30,8 V ===	Capacité nominale	3000 mAh
Puissance nominale	450 W	Capacité du compartiment à poussière	Max. 0,6 L
Temps de Charge	Environ 4 heures	Poids net	4.2 kg
Dimensions du produit	1286 × 214 × 256 mm		

Barre de brosse intelligente à couple élevé		Mini brosse électrique	
Modèle	G10-01	Modèle	1C-02
Puissance nominale	40 W	Puissance nominale	20 W
Tension nominale	25,2 V ===	Tension nominale	25,2 V ===

Chargeur			
Fabricant	Zhongshan Baolijin Electronic Co., Ltd.	Efficacité active moyenne	87.5%
Modèle	BLJ24W308080P-V	Efficacité à charge faible (10%)	77.9%
Entrée	100-240 V~ 50/60 Hz 0,8 A	Consommation d'énergie sans charge	0,10 W
Sortie	30,8 V=== 0,8 A 24,6 W		

Batterie rechargeable lithium-ion			
Modèle de la batterie	P2046-7S1P-BC/P2046-7S1P-BCA	Puissance nominale	3000 mAh
Tension nominale	25.2 V ===	Capacité nominale	2800 mAh
Énergie	70,56 Wh		

La batterie lithium-ion contient des substances dangereuses pour l'environnement. Avant de mettre l'aspirateur au rebut, retirez d'abord la batterie pour la jeter ou la recycler conformément à la législation et à la réglementation locales du pays ou de la région dans lequel ou laquelle il est utilisé.

Informations DEEE



Tous les produits portant ce symbole deviennent des déchets d'équipements électriques et électroniques (DEEE dans la Directive européenne 2012/19/UE) qui ne doivent pas être mélangés aux déchets ménagers non triés. Vous devez contribuer à la protection de l'environnement et de la santé humaine en apportant l'équipement usagé à un point de collecte dédié au recyclage des équipements électriques et électroniques, agréé par le gouvernement ou les autorités locales. Le recyclage et la destruction appropriés permettront d'éviter tout impact potentiellement négatif sur l'environnement et la santé humaine. Contactez l'installateur ou les autorités locales pour obtenir plus d'informations concernant l'emplacement ainsi que les conditions d'utilisation de ce type de point de collecte.








FAQ

Erreur	Cause possible	Solution
L'aspirateur ne fonctionne pas.	La batterie est déchargée ou faible.	Rechargez complètement l'aspirateur avant de reprendre votre utilisation.
	Le mode de protection contre la surchauffe se déclenche suite à une obstruction.	Attendez que l'aspirateur refroidisse, puis réactivez-le.
	L'orifice d'aspiration ou le conduit d'air est obstrué.	Retirez les débris susceptibles de bloquer l'orifice d'aspiration ou le conduit d'air.
La puissance d'aspiration est affaiblie.	Le compartiment à poussière est rempli et/ou le filtre est obstrué.	Videz le compartiment à poussière et nettoyez le filtre.
	La barre de brosse intelligente à couple élevé et/ou la tige de rallonge sont obstruées.	Retirez tout débris responsable de l'obstruction de la barre de brosse intelligente à couple élevé et/ou la tige de rallonge.
Le moteur fait un bruit anormal.	L'orifice d'aspiration principal ou la tige de rallonge est obstrué(e).	Retirez les débris susceptibles de bloquer le suceur principal ou la tige de rallonge.
Le premier voyant est rouge après avoir allumé l'aspirateur.	La batterie est endommagée.	Contactez le service après-vente pour assurer la maintenance.
Le premier voyant clignote en rouge quand l'aspirateur est en charge.	Le chargeur n'est pas compatible.	Utilisez uniquement le chargeur d'origine pour recharger l'aspirateur.

Erreur	Cause possible	Solution
Le voyant de batterie ne s'allume pas lorsque l'aspirateur est en charge.	Le chargeur n'est pas connecté à l'aspirateur.	Assurez-vous que le chargeur est branché correctement.
	La batterie est complètement chargée et l'appareil est passé en mode veille.	L'aspirateur peut être utilisé normalement.
	Si le problème persiste après avoir écarté les deux possibilités ci-dessus, contactez le service après-vente qui vous aidera.	
La batterie charge lentement.	La température de la batterie est trop basse ou trop élevée.	Attendez que la température de la batterie revienne à un niveau normal, puis reprenez votre session de nettoyage.
Le réservoir d'eau ne distribue pas d'eau ou en distribue trop lentement.	Le filtre du distributeur d'eau est obstrué.	Nettoyez ou remplacez le filtre du distributeur d'eau.
	La serpillière est sale.	Nettoyez ou remplacez la serpillière.

Dépannage

Si l'aspirateur ne fonctionne pas correctement, un message d'erreur apparaîtra sur l'écran d'affichage. Veuillez consulter le tableau de dépannage ci-dessous pour trouver la solution correspondant à votre message d'erreur.

Icône d'erreur	Message d'erreur	Solution
	Conduit d'air obstrué	Retirez les débris susceptibles de bloquer le compartiment à poussière, la tige de rallonge et/ou la barre de brosse intelligente à couple élevé.
	Batterie faible	Rechargez l'appareil rapidement.
	La brosse du rouleau est coincée	Consultez « Nettoyage de la barre de brosse intelligente à couple élevé » dans la section « Entretien et maintenance », où vous trouverez des instructions pour le nettoyage de cheveux, poils et saletés coincés dans la brosse à roulette.
	Batterie épuisée	Rechargez l'appareil rapidement.
	Batterie en surchauffe	Attendez que la température de la batterie revienne à un niveau normal avant de reprendre votre session de nettoyage.
	Erreur	Contactez le service après-vente pour assurer la maintenance.
	Filtre non installé	Vérifiez que le filtre HEPA et le préfiltre sont installés correctement.

Sicherheitshinweise

Dieses Produkt ist nur für den Betrieb im Haushalt gedacht. Lesen Sie diese Handbuch vor der Verwendung sorgfältig und bewahren Sie es auf, um zukünftig die Informationen nachlesen zu können.

Dieses Gerät ist für Kinder ab einem Alter von 8 Jahren und Personen geeignet, die körperlich, sensorisch oder geistig behindert sind oder nicht über ausreichend Erfahrung oder Kenntnisse verfügen, wenn sie eine Beaufsichtigung oder Anweisung zur Nutzung des Geräts im Hinblick auf Sicherheit erfahren haben und wissen, welche Gefahren auftreten können. Kinder dürfen nicht mit dem Gerät spielen. Kinder dürfen die Reinigung und Wartung nur unter Aufsicht vornehmen.

Das Gerät darf nur mit dem zum Gerät mitgelieferten Netzteil verwendet werden.

Der Staubsauger ist kein Spielzeug. Kinder dürfen nicht mit diesem Produkt spielen oder es benutzen.

Bitte seien Sie vorsichtig, wenn Sie den Staubsauger in der Nähe von Kindern benutzen. Gestatten Sie es Kindern nicht, den Staubsauger zu reinigen oder zu warten, außer unter Aufsicht eines Elternteils oder Erziehungsberechtigten.

Der Staubsauger darf nur in Innenräumen und auf trockenen Oberflächen benutzt werden. Dieses Produkt darf nicht im Freien, in Badezimmern oder in der Nähe eines Schwimmbekens installiert, geladen oder benutzt werden.

Der Stecker und der Staubsauger dürfen nicht mit nassen Händen berührt werden.

Um die Gefahr von Bränden, Explosionen und Verletzungen zu verringern, sollten Sie vor der Benutzung sicherstellen, dass der Lithium-Ionen-Akku und das Ladegerät unbeschädigt sind. Der Staubsauger darf nicht benutzt werden, wenn der Akku oder das Ladegerät beschädigt ist.

Die intelligente Hochleistungs-Bürstenrolle, die elektrische Mini-Bürste, der Akku, das Verlängerungsrohr und der Staubsauger sind elektrisch leitfähig und sollten nicht in Wasser oder andere Flüssigkeiten getaucht werden. Stellen Sie nach dem Reinigen von Teilen sicher, dass diese vollständig trocken sind.

Um Verletzungen durch bewegliche Teile zu vermeiden, müssen Sie den Staubsauger vor der Säuberung der intelligenten Hochleistungs-Bürstenrolle und der elektrischen Mini-Bürste ausschalten. Die intelligente Hochleistungs-Bürstenrolle, der Staubbehälter und der Filter müssen vor Benutzung des Staubsaugers ordnungsgemäß installiert sein.

Verwenden Sie nur das Original-Ladegerät (Modell: BLJ24W308080P-V) das diesem Produkt beiliegt.

Sicherheitshinweise

Verwenden Sie nur den zugelassenen Akkutyp (Modell P2046-7S1P-BC/P2046-7S1P-BCA). Wenn das Netzkabel oder der Akku beschädigt werden sollte, müssen diese durch Original-Ersatzteile ersetzt werden, die vom Hersteller oder der Kundendienstabteilung erworben wurden.

Der Staubsauger darf nicht benutzt werden, um brennbare oder entzündliche Flüssigkeiten wie Benzin, Bleiche, Ammoniak, Abflussreiniger oder andere Flüssigkeiten (z. B. Wasser) aufzusaugen.

Der Staubsauger darf nicht benutzt werden, um Rigipspartikel, Asche (z. B. Kaminasche) oder Rauch- oder Brennmaterialien wie Kohle, Zigarettenstummel oder Streichhölzer aufzusaugen.

Der Staubsauger darf nicht benutzt werden, um scharfe oder harte Objekte wie Glas, Nägel, Schrauben oder Münzen aufzusaugen, da dies zu Schäden am Produkt führen kann.

Halten Sie Ihre Haare, Kleidung, Finger und anderen Körperteile von den Öffnungen und beweglichen Teilen fern. Richten Sie die Saugöffnung, das Verlängerungsrohr oder anderes Zubehör nicht auf Ihre Augen oder Ohren und nehmen Sie sie nicht in den Mund.

Stecken Sie keine Gegenstände in die Öffnungen des Staubsaugers und benutzen Sie den Staubsauger nicht, wenn Öffnungen blockiert sind. Halten Sie das Gerät frei von Staub, Fusseln, Haaren oder anderen Gegenständen, die den Luftstrom behindern könnten.

Lehnen Sie den Staubsauger nicht gegen einen Stuhl, Tisch oder andere instabile Oberflächen, da dies zu Schäden am Produkt oder zu Verletzungen führen kann. Wenn der Staubsauger aufgrund von Stößen oder Beschädigungen nicht mehr funktioniert, wenden Sie sich bitte an die autorisierte Serviceabteilung. Versuchen Sie nicht, den Staubsauger selbst zu zerlegen.

Alle Anweisungen des Benutzerhandbuchs zum Wiederaufladen des Produkts müssen streng beachtet werden. Der Akku kann beschädigt werden, wenn der Staubsauger nicht innerhalb des angegebenen Temperaturbereichs korrekt aufgeladen wird.

Das Produkt darf ausschließlich mit dem Original-Ladegerät und nur in Umgebungen mit einer Umgebungstemperatur von 0°C bis 40°C geladen werden. Andernfalls kann der Akku beschädigt werden. Der Deckel des Staubbehälters, der Vorfilter, die Zyklon-Baugruppe und der HEPA-Filter müssen vor dem Gebrauch des Staubsaugers ordnungsgemäß installiert sein.

Stellen Sie sicher, dass der Staubsauger nicht mit dem Stromnetz verbunden ist, wenn Sie ihn über längere Zeit nicht benutzen. Der Staubsauger muss außerdem vom Stromnetz getrennt werden, bevor Wartungs- und Reparaturarbeiten erfolgen.

Bitte seien Sie besonders vorsichtig, wenn Sie den Staubsauger zur Treppenreinigung verwenden.

Warnung vor Brandgefahr: Auf den Filter des Staubsaugers dürfen keinesfalls Duftstoffe aufgetragen werden. Diese Art von Produkten enthält häufig brennbare Chemikalien, die dazu führen könnten, dass das Gerät Feuer fängt.

Wenn der Akku nicht in Gebrauch ist, halten Sie ihn von allen Metallgegenständen wie Büroklammern, Münzen, Schlüsseln, Nägeln und Schrauben fern. Das Kurzschließen der Pole des Akkus kann zu Verbrennungen oder Bränden führen.

Bei missbräuchlicher oder unsachgemäßer Behandlung kann Flüssigkeit aus dem Akku austreten. Vermeiden Sie den Kontakt mit der Flüssigkeit, da diese zu Reizungen oder Verbrennungen führen kann. Falls ein Kontakt erfolgt, sollten Sie die entsprechende Stelle mit Wasser abspülen. Falls Flüssigkeit in die Augen gelangt, sollten Sie unbedingt medizinische Hilfe aufsuchen.

Setzen Sie den Akku und das Gerät auf keinen Fall Feuer aus, da dies zur Explosion führen kann. Sie dürfen den Akku und das Gerät nicht in Wasser, Salzwasser oder andere Flüssigkeiten eintauchen oder diesen aussetzen.

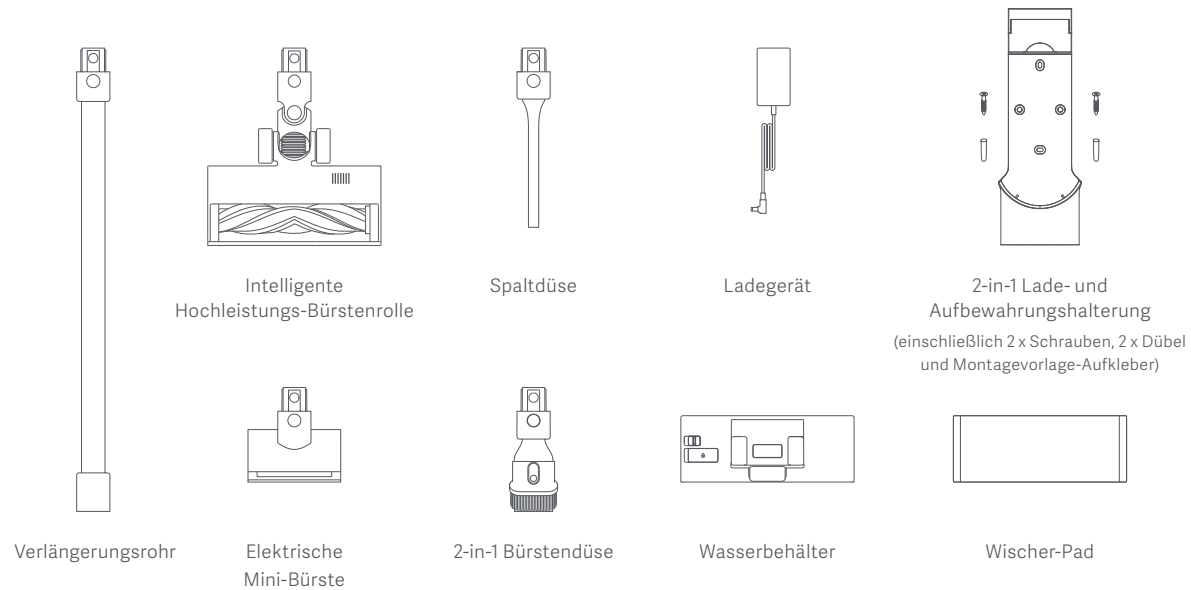
Bitte verwenden Sie das Produkt gemäß den Anweisungen im Benutzerhandbuch. Der Benutzer ist für jeglichen Verlust oder Schaden verantwortlich, der aufgrund inkorrektur Verwendung dieses Produkts entsteht.

Wir, Dreame (Tianjin) Information Technology Co., Ltd., bestätigen hiermit, dass dieses Gerät mit den geltenden Verordnungen und europäischen Normen sowie etwaigen Ergänzungen in Einklang steht. Der vollständige Wortlaut der EU-Konformitätserklärung ist unter der folgenden Internetadresse abrufbar: <http://www.mi.com/global/service/support/declaration.html>

Ein detailliertes elektronisches Handbuch finden Sie unter www.mi.com/global/service/userguide

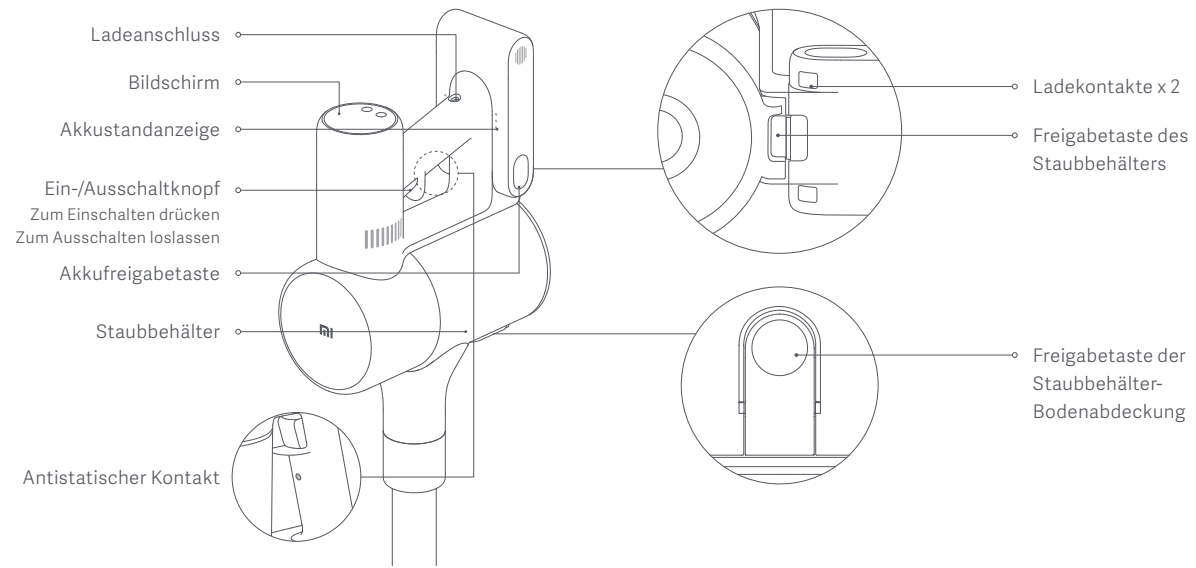
Produktübersicht

Zubehörliste



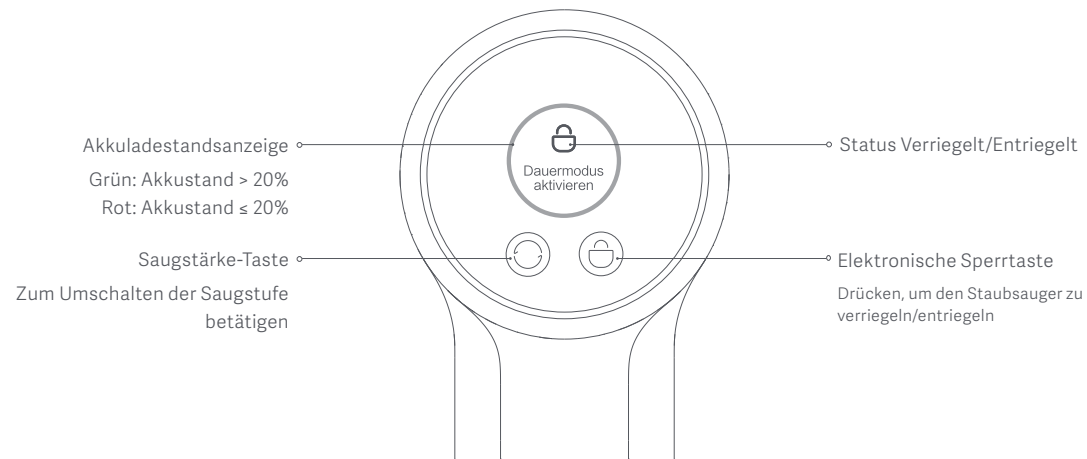
Hinweis: Abbildungen des Produkts, des Zubehörs und der Benutzeroberfläche im Benutzerhandbuch dienen nur als Referenz. Die tatsächlichen Produkte und Funktionen können aufgrund von Produktverbesserungen variieren.

Bauteilbezeichnung



Produktübersicht

Bildschirm

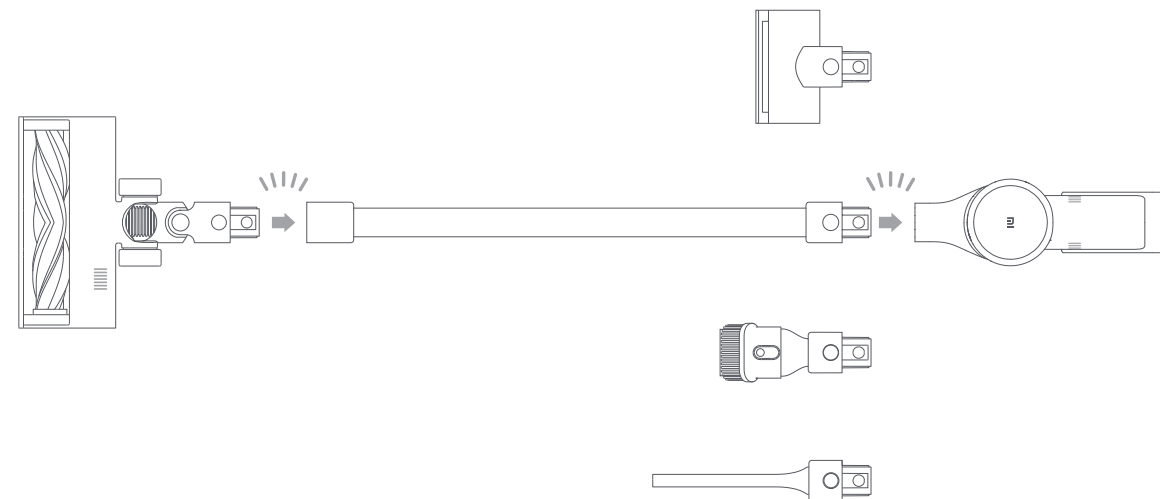


Hinweis: Wenn beim Staubsauger eine Fehlfunktion auftritt, wird auf dem Bildschirm eine Fehlermeldung angezeigt. Konsultieren Sie den Abschnitt „Fehlerbehebung“, um eine Lösung zu finden.

Installation

Installation des Zubehörs am Staubsauger

Hineinstecken, bis ein Klick ertönt

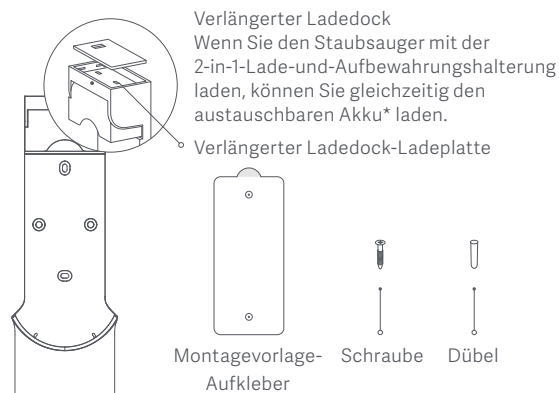


Hinweis: Die elektrische Mini-Bürste sollte nicht mit dem Verlängerungsrohr verwendet werden.

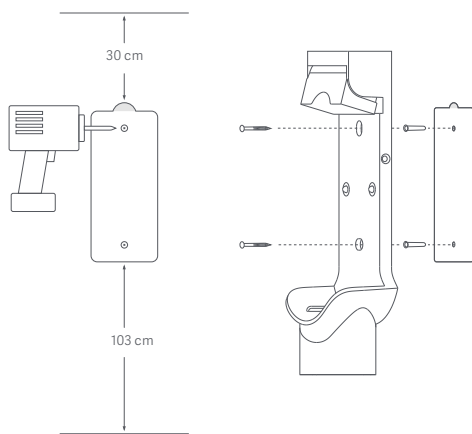
Installation

Installation der 2-in-1 Lade- und Aufbewahrungshalterung

1. Die 2-in-1 Lade- und Aufbewahrungshalterung sollte an einem kühlen, trockenen Ort in der Nähe einer Steckdose installiert werden. Vor der Installation sollten Sie sicherstellen, dass sich in dem Raum direkt hinter der Wandoberfläche, an der die Halterung installiert werden soll, keine Kabel oder Drähte befinden.
2. Der untere Rand des Montagevorlage-Aufklebers sollte mindestens 1,03 m über dem Boden und parallel zum Boden sein, und über dem oberen Rand sollte mindestens 30 cm Platz sein.



3. Verwenden Sie eine Bohrmaschine mit einem 8-mm-Bohrer, um ein Loch in jede Lochmarkierung auf dem Montageschablone-Aufkleber zu bohren, und setzen Sie dann in jedes Loch einen Dübel ein.
4. Richten Sie die Befestigungslöcher der 2-in-1 Lade- und Aufbewahrungshalterung mit den Löchern an der Wand aus und befestigen Sie die Halterung dann mit den mitgelieferten Schrauben an der Wand.



Empfohlene Höhe: Mindestens 1,03 m über dem Boden

* Der austauschbare Akku ist nicht enthalten und muss separat gekauft werden.

Ladevorgang läuft

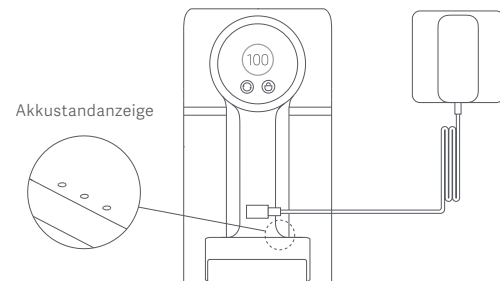
Akkustandanzeige

- Aus ☀ Blinken ● Ein
- ☀ ○ ○ Niedriger Akkustand
 - ☀ ○ Akkuladestatus 50 %
 - ● ☀ Fast voll
 - ● ● Voll aufgeladen

Wenn der Staubsauger vollständig geladen ist, schaltet sich die Anzeige nach 5 Minuten ab und das Gerät wird in den Energieeinsparmodus versetzt.

Bildschirm

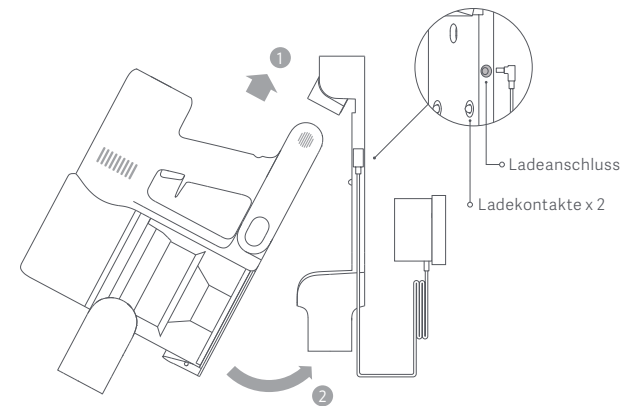
Die Zahl auf dem Anzeigebildschirm stellt den aktuellen Akkustand während des Ladevorgangs in Prozent dar. Der Akku ist vollständig aufgeladen, wenn die Anzeige auf 100 steht.



Laden des Staubsaugers mit dem Ladegerät

Hinweise:




- Vor der erstmaligen Benutzung sollte der Staubsauger voll aufgeladen werden. Dies dauert etwa 4 Stunden.
- Der Staubsauger kann während des Ladens nicht benutzt werden.
- Wird der Staubsauger auf der höchsten Saugstufe über längere Zeit benutzt, führt dies zu einer Erhitzung der Batterie, wodurch sich die Ladezeit verlängern kann. Bevor Sie den Staubsauger aufladen, sollte er am besten 30 Minuten lang abkühlen.



Laden des Staubsaugers in der Ladehalterung


Benutzung

Sprache einstellen

Halten Sie die Taste  3 Sekunden lang gedrückt, um die Sprachenliste zu öffnen, und drücken Sie dann die Taste , um durch die Sprachen zu blättern und die gewünschte Sprache auszuwählen. Drücken und halten Sie die Taste  2 Sekunde lang gedrückt, um die ausgewählte Sprache einzustellen.

Hinweis: Der Anzeigebildschirm erlischt, wenn mehr als 10 Sekunden lang keine Bedienung erfolgt.

Umschalten der Saugstufen

Drücken Sie auf die Taste , um zwischen den Saugstufen Öko-, Standard- und Hochleistung zu wechseln. Die entsprechende Saugstärke wird auf dem Anzeigebildschirm hervorgehoben.

Nur bei Verwendung der intelligenten Hochleistungs-Bürstenrolle wird der automatische Modus aktiviert und die Meldung „Auto“ erscheint auf dem Bildschirm. Der Staubsauger schaltet dann automatisch die Saugstufe zwischen Boden/Fliese und Teppich um.

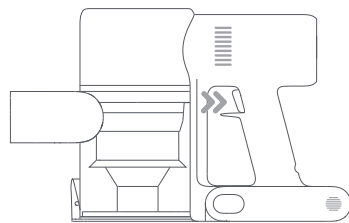
Hinweis: Wenn Sie den Staubsauger während der Reinigung abschalten, wird er beim erneuten Einschalten wieder die zuletzt gewählte Saugstufe benutzen.

Arbeitsmodi

Der Staubsauger verfügt über zwei Arbeitsmodi, die Sie je nach Ihrem Reinigungsbedarf auswählen können.



1. Manueller Modus

Halten Sie die Ein-/Ausschalttaste gedrückt, um den Staubsauger zu starten, und lassen Sie diese los, um ihn zu stoppen.

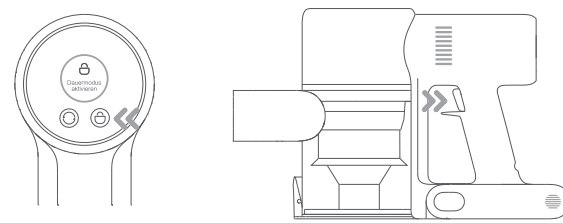


Manueller Modus

2. Dauermodus

Drücken Sie die Taste , um den Dauermodus zu aktivieren, und drücken Sie dann die Ein-/Ausschalttaste, um den Staubsauger einzuschalten. Um den Dauermodus zu beenden, drücken Sie die Taste .

Durch die Aktivierung des Dauerbetriebs kann der Staubsauger kontinuierlich betrieben werden, ohne dass Sie die Ein-/Ausschalttaste mit Ihren Fingern gedrückt halten müssen.



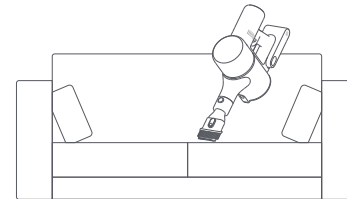
Dauermodus

Hinweise:

- Hinweise: Wenn sich der Staubsauger im Dauermodus befindet, wird er in den Bereitschaftsmodus versetzt, wenn die Ein-/Ausschalttaste gedrückt wird. Er wird erneut gestartet, wenn Sie die Ein-/Ausschalttaste wieder drücken.
- Wenn sich der Staubsauger für mehr als 10 Sekunden im Bereitschaftsmodus befindet, wird der Anzeigebildschirm abgeschaltet und der Staubsauger deaktiviert den Dauermodus.

Benutzung verschiedener Zubehörteile

2-in-1 Bürstendüse: Zum Saugen von Vorhängen, Sofas, Fahrzeuginnenräumen, Couchtischen usw.



Elektrische Mini-Bürste: Zum Aufsaugen von Schmutz, Tierhaaren und anderen hartnäckigen Ablagerungen von Sofas, Bettzeug und anderen Textiloberflächen.



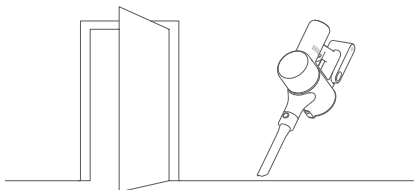
Hinweise:

- Wenn ein rotierendes Teil stecken bleibt, kann es passieren, dass der Staubsauger sich automatisch abschaltet. Entfernen Sie dann etwaige eingeklemmte Fremdkörper und setzen Sie die Benutzung fort.
- Wenn der Motor sich überhitzt, wird der Staubsauger automatisch ausgeschaltet. Bitte warten Sie, bis sich die Temperatur des Akkus normalisiert hat, und setzen Sie erst dann die Benutzung fort.

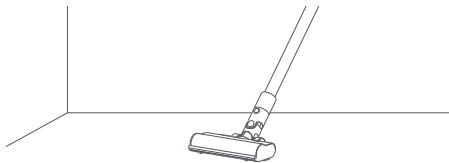
Benutzung

Benutzung verschiedener Zubehörteile

Spaltendüse: Zum Saugen von engen Spalten und Bereichen um Türen, Fenster, Fußleisten, Ecken, Treppen usw.



Intelligente Hochleistungs-Bürstenrolle: Zur Reinigung verschiedener Arten von Bodenbelägen wie zum Beispiel Holz, Marmor, Fliesen und Kurzflorteppichen ausgelegt. Im Automatikmodus kann der Staubsauger seine Saugstärke je nach Art der Oberfläche automatisch anpassen.



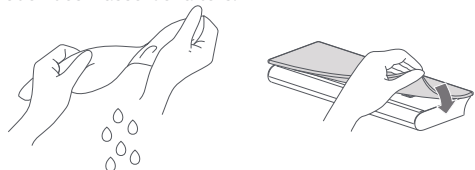
Hinweis: Die intelligente Hochleistungs-Bürstenrolle kann direkt am Staubsauger angebracht werden.

Benutzung der Wischfunktion

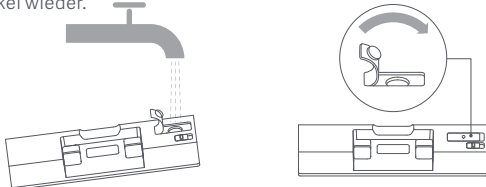
Hinweise:

- Vermeiden Sie es, auf den Wasserbehälter zu treten, da dieser dadurch dauerhaft beschädigt werden könnte.
- Stark verschmutzte Böden sollten vor dem Wischen gesaugt werden, um ein besseres Ergebnis zu erzielen.
- Die Wischfunktion darf nicht auf Teppichen verwendet werden.
- Verwenden Sie keine Reinigungs- oder Desinfektionsmittel.

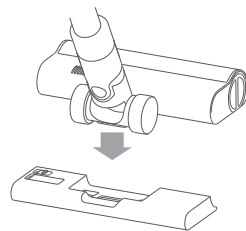
1. Befeuchten Sie das Wischer-Pad und wringen Sie überschüssiges Wasser aus. Befestigen Sie das Wischer-Pad anschließend sicher am Boden des Wasserbehälters.



2. Öffnen Sie den Deckel des Wasserbehälters, füllen Sie eine angemessene Menge sauberen Wassers ein und schließen Sie den Deckel wieder.



3. Befestigen Sie die intelligente Hochleistungs-Bürstenrolle am Wasserbehälter, indem Sie die Magneten der Komponenten ausrichten, bis sie zusammenschnappen.



4. Diese Funktion ist für das Staubsaugen und Wischen von Holz- und Fliesenböden vorgesehen.



Hinweise:

- Das Kugelventil des Wasserbehälters steuert, wie viel Wasser ausgegeben wird. Die Kugel ist beweglich und kann beim Starten und Stoppen ein Rollgeräusch verursachen. Dies ist normal.
- Wenn das Gerät nicht verwendet wird, sollte der Schalter auf die Position AUS gestellt sein.

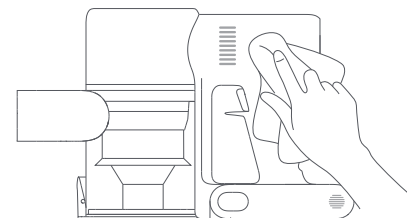
Pflege und Wartung

Sicherheitsregeln für die Wartung

- Verwenden Sie stets Originalteile, um ein Erlöschen der Garantie zu vermeiden.
- Falls der Filter, das Verlängerungsrohr oder die intelligente Hochleistungs-Bürstenrolle verstopfen, wird der Staubsauger nach kurzer Zeit abgeschaltet. Um die Funktionsfähigkeit wiederherzustellen, muss das verstopfte Teil gesäubert werden.
- Wenn der Staubsauger für eine längere Zeit nicht benutzt werden wird, laden Sie ihn voll auf, trennen Sie ihn vom Netz und lagern ihn an einem kühlen und trockenen Ort ohne direkte Sonneneinstrahlung. Um eine Tiefentladung des Akkus zu vermeiden, sollte der Staubsauger mindestens einmal alle drei Monate aufgeladen werden.

Reinigung des Staubsaugers

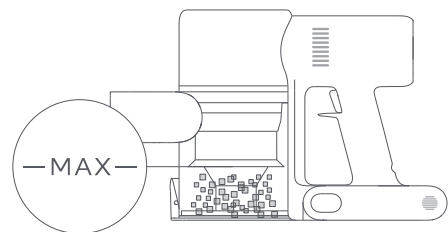
Reinigen Sie den Staubsauger mit einem weichen trockenen Tuch.



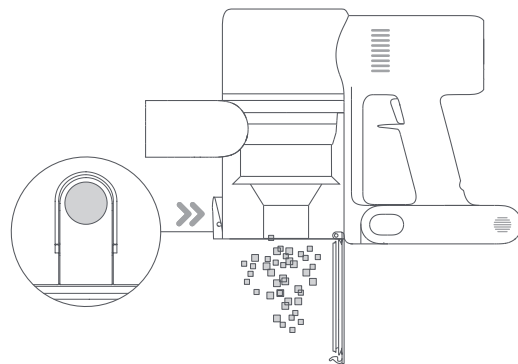
Pflege und Wartung

Reinigung des Staubbehälters, des Vorfilters und der Zyklon-Baugruppe

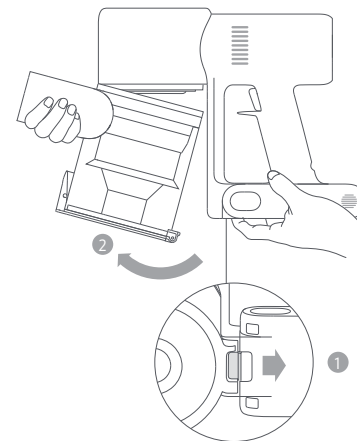
1. Die Reinigungsleistung des Staubsaugers reduziert sich, wenn das Staubabteil bis zur „MAX“-Markierung gefüllt ist. Um die volle Reinigungsleistung wiederherzustellen, sollten Sie den Staubbehälter rechtzeitig leeren. Bevor Sie den Staubbehälter leeren, sollten Sie sicherstellen, dass der Staubsauger von der Stromversorgung getrennt ist. Vermeiden Sie es außerdem, die Einschalttaste zu drücken.



2. Drücken Sie die Entriegelungstaste der Bodenabdeckung des Staubbehälters und entleeren Sie dann den Inhalt.

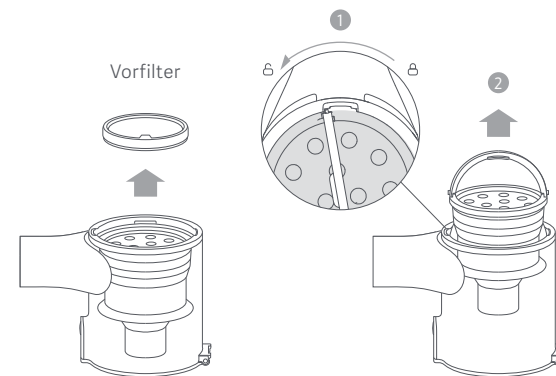


3. Drücken Sie die Freigabetaste des Staubbehälters in die Pfeilrichtung und nehmen Sie den Staubbehälter vorsichtig aus dem Staubsauger.



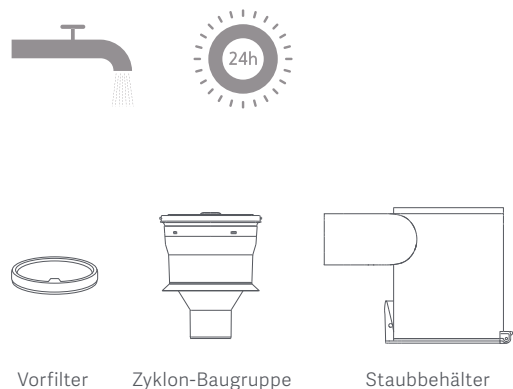
Freigabetaste des Staubbehälters

4. Entfernen Sie die zunächst den Vorfilter, heben Sie dann den Griff der Zyklon-Baugruppe an und drehen Sie ihn gegen den Uhrzeigersinn bis zum Anschlag. Anschließend können Sie die Zyklon-Baugruppe herausheben.



Pflege und Wartung

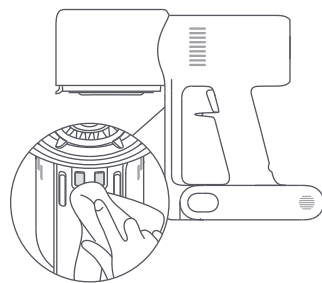
5. Spülen Sie den Vorfilter, die Zyklon-Baugruppe und den Staubbehälter mit Wasser, bis sie sauber sind, und legen Sie dann alle Komponenten mindestens 24 Stunden lang zum gründlichen Trocknen beiseite.



Hinweise:

- Der Staubbehälter sollte mindestens einmal im Monat ausgespült werden.
- Der Vorfilter und die Zyklon-Baugruppe sollten mindestens einmal alle 3 bis 4 Monate gesäubert werden.

Reinigen Sie die Kontaktpunkte des Zubehörs mit einem weichen trockenen Tuch, wenn diese schmutzig sind.

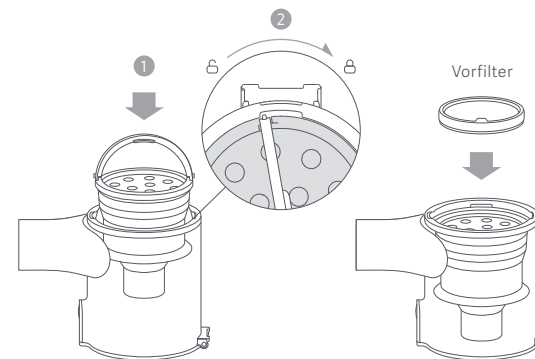


Hinweise:

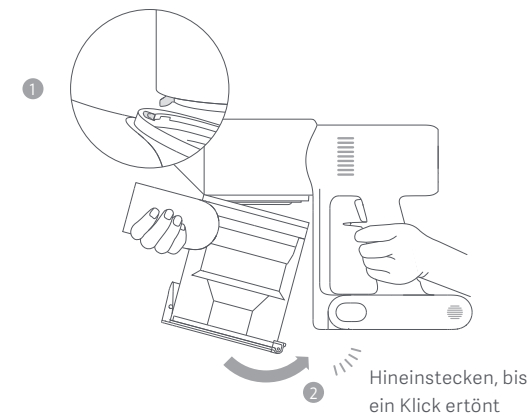
- Benutzen Sie bei der Reinigung des Staubbehälters keine Reinigungsmittel, Politur oder Lufterfrischer.
- Staubbehälter, Vorfilter und Zyklon-Baugruppe dürfen nicht in einer Spülmaschine oder einer Waschmaschine gereinigt werden. Die Trocknung dieser Komponenten in einem Wäschetrockner, Ofen, einer Mikrowelle oder in der Nähe eines offenen Feuers ist ebenfalls verboten.

Installation des Staubbehälters, des Vorfilters und der Zyklon-Baugruppe

1. Setzen Sie die Zyklon-Baugruppe vertikal in den Staubbehälter ein und vergewissern Sie sich, dass der Griff der Zyklon-Baugruppe korrekt mit dem Schlitz auf der linken Seite des Staubbehälters ausgerichtet ist. Drehen Sie den Griff im Uhrzeigersinn, bis er einrastet, und klappen Sie dann den Griff nach unten.
2. Setzen Sie den Vorfilter mit der Vorderseite nach oben in die Zyklon-Baugruppe ein.



3. Neigen Sie den Staubbehälter leicht, so dass der Schlitz mit dem Clip am Staubsauger ausgerichtet ist. Schieben Sie den Staubbehälter dann vorsichtig hinein, bis er einrastet.

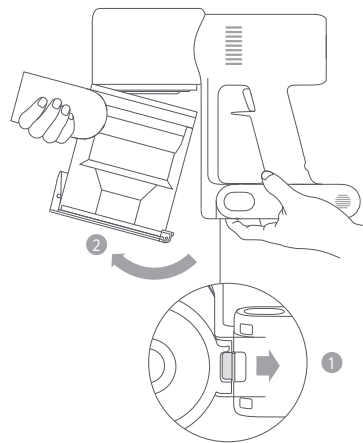


Pflege und Wartung

Reinigung des HEPA-Filters

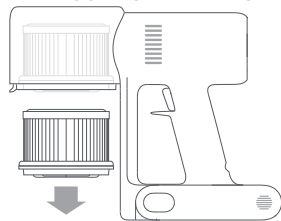
Hinweis: Der HEPA-Filter sollte alle 4 bis 6 Monate ausgetauscht werden.

1. Entfernen Sie den Staubbehälter wie in der Abbildung dargestellt.



Freigabetaste des Staubbehälters

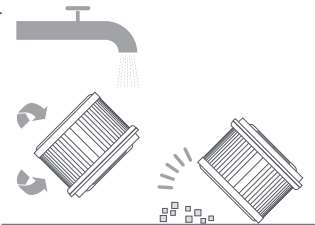
2. Entfernen Sie den HEPA-Filter aus dem Staubsauger, indem Sie ihn in die in der Abbildung gezeigten Richtung nach unten ziehen.



3. Reinigen Sie den HEPA-Filter mit sauberem Wasser. Achten Sie darauf, dass Sie den HEPA-Filter um 360° drehen, um den gesamten im Filter aufgefangenen Staub gründlich zu entfernen. Klopfen Sie mehrmals leicht auf den Filter, um vorhandenen Schmutz zu entfernen.

Hinweise:

- Säubern Sie den Filter ausschließlich mit sauberem Wasser. Verwenden Sie keine Reinigungsmittel.
- Versuchen Sie nicht, den HEPA-Filter mit einer Bürste oder einem Finger zu reinigen.

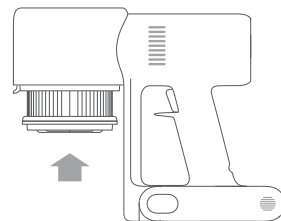


4. Lassen Sie den HEPA-Filter mindestens 24 Stunden lang gründlich trocknen.



Installation des HEPA-Filters

1. Setzen Sie den HEPA-Filter in den Staubsauger ein und drücken Sie ihn vorsichtig nach unten, wie in der Abbildung gezeigt.



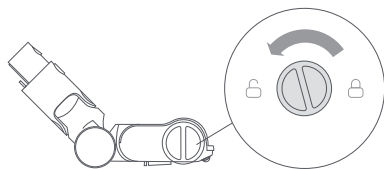
2. Installation des Staubbehälters.



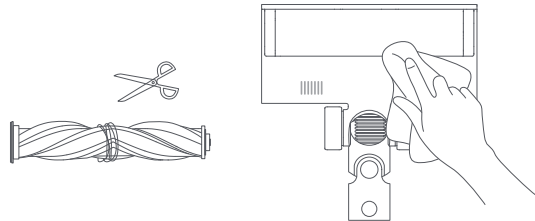
Pflege und Wartung

Säuberung der intelligenten Hochleistungs-Bürstenrolle

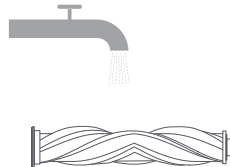
1. Drehen Sie die Verriegelung gegen den Uhrzeigersinn bis zum Anschlag und nehmen Sie dann die Rollbürste von der Hochleistungs-Bürstenrolle ab.



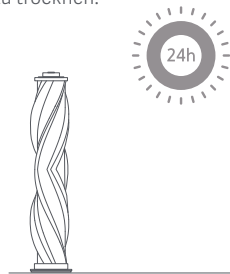
2. Verwenden Sie eine Schere, um Haare oder andere Fremdkörper, die sich um die Rollbürste verfangen haben, abzuschneiden und herauszupicken. Wischen Sie überschüssigen Staub vom Schlitz und der durchsichtigen Plastikabdeckung mit einem trockenen Tuch oder Papiertuch ab.



3. Nach längerem Gebrauch kann die Rollbürste verschmutzt sein und sollte gewaschen werden.

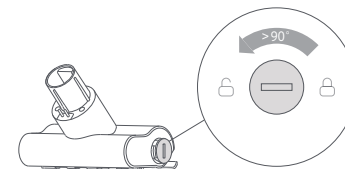


4. Nach der Wäsche sollten Sie die Rollbürste mindestens 24 Stunden in einem gut belüfteten Raum aufrecht stehen lassen, um sie gründlich zu trocknen.

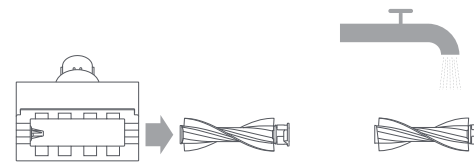


Reinigung der elektrischen Mini-Bürste

1. Drehen Sie mit Hilfe einer Münze die Verriegelung gegen den Uhrzeigersinn bis zum Klick.



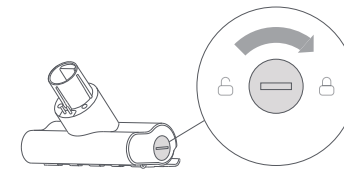
2. Nachdem Sie Rollbürste entriegelt haben, entfernen Sie diese von der elektrischen Mini-Bürste. Spülen und reinigen Sie die Rollbürste.



3. Nach der Wäsche sollten Sie die Rollbürste mindestens 24 Stunden in einem gut belüfteten Raum aufrecht stehen lassen, um sie gründlich zu trocknen.



4. Nachdem die Rollbürste getrocknet ist, montieren Sie diese erneut, indem Sie die Ausbau-Schritte in umgekehrter Reihenfolge durchführen.



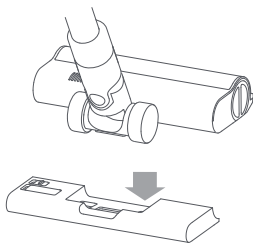
Pflege und Wartung

Reinigung des Wasser-Behälters und des Wischer-Pads

Hinweise:

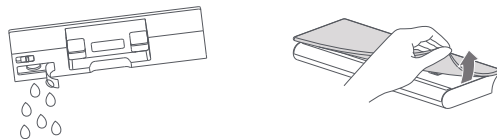
- Wenn der Staubsauger gerade aufgeladen wird oder nicht in Gebrauch ist, entfernen Sie den Wasserbehälter und lassen Sie das restliche Wasser ab, um Schimmel und unangenehme Gerüche zu vermeiden.
- Ein abgenutztes oder beschädigtes Wischer-Pad, das sich nicht mehr am Wasserbehälter befestigen lässt, sollte ersetzt werden, um eine optimale Reinigungsleistung zu gewährleisten.

1. Schieben Sie den Wasserbehälter nach unten, um ihn von der intelligenten Hochleistungs-Bürstenrolle zu trennen.

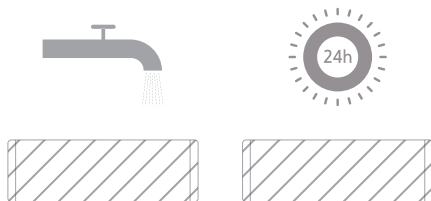


2. Leeren Sie den Wasserbehälter.

3. Entfernen Sie das Wischer-Pad vom Wasserbehälter.



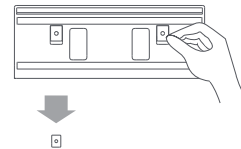
4. Reinigen und trocknen Sie das Wischer-Pad.



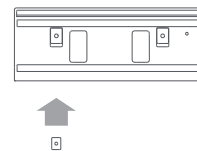
Wasserauslassfilter

Der Filter des Wasserauslasses sollte ausgetauscht werden, wenn der Wasserbehälter Wasser zu langsam abgibt oder verstopft ist. Um eine optimale Wischeffektivität zu gewährleisten, wird empfohlen, die Filter des Wasserauslasses je nach Wasserqualität und Benutzungshäufigkeit alle 3 bis 6 Monate zu ersetzen.

1. Schieben Sie mit den Fingern den alten Wasserauslassfilter links und rechts an den Schlitzen heraus.



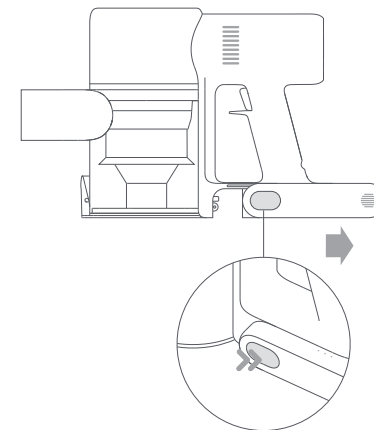
2. Setzen Sie die neuen Filter für den Wasserauslass ein und prüfen Sie, ob sie korrekt installiert sind.



Akku

Der Staubsauger enthält einen herausnehmbaren, wiederaufladbaren Lithium-Ionen-Akku, der eine begrenzte Anzahl von Ladezyklen hat. Nach längerem Gebrauch kann es geschehen, dass der Akku keine Ladung mehr hält. Wenn dies geschieht, bedeutet dies, dass der Akku das Ende seiner Lebensdauer erreicht hat und ersetzt werden muss.

1. Drücken Sie den Entriegelungsknopf des Akkus nach unten und schieben Sie den Akku, wie in der Abbildung gezeigt, nach rechts, um ihn zu entfernen.
2. Installation des neuen Akkus.



Spezifikationen

Staubsauger			
Modell	MJSCXCQPT	Nennspannung	25,2 V ===
Ladespannung	30,8 V ===	Nennkapazität	3000 mAh
Nennleistung	450 W	Kapazität Staubbehälter	Max. 0,6 L
Ladedauer	Ca. 4 Stunden	Nettogewicht	4.2 kg
Artikelmaße	1286 × 214 × 256 mm		

Intelligente Hochleistungs-Bürstenrolle		Elektrische Mini-Bürste	
Modell	G10-01	Modell	1C-02
Nennleistung	40 W	Nennleistung	20 W
Nennspannung	25,2 V ===	Nennspannung	25,2 V ===

Ladegerät			
Hersteller	Zhongshan Baolijin Electronic Co., Ltd.	Durchschnittliche aktive Effizienz	87.5%
Modell	BLJ24W308080P-V	Effizienz bei geringer Last (10%)	77.9%
Eingang	100-240 V~ 50/60 Hz 0,8 A	Stromverbrauch im lastfreien Zustand	0,10 W
Ausgang	30,8 V=== 0,8 A 24,6 W		

Wiederaufladbarer Lithium-Ionen-Akku			
Akkumodell	P2046-7S1P-BC/P2046-7S1P-BCA	Nennkapazität	3000 mAh
Nennspannung	25.2 V ===	Nennleistung	2800 mAh
Energie	70,56 Wh		

Der Lithium-Ionen-Akku enthält umweltgefährdende Stoffe. Bevor der Staubsauger entsorgt wird, muss zunächst der Akku entfernt werden, anschließend muss in Übereinstimmung mit den lokalen Gesetzen und Vorschriften des Landes oder der Region, in dem er benutzt wurde, eine Entsorgung oder Wiederverwertung stattfinden.

WEEE-Informationen



Alle mit diesem Symbol gekennzeichneten Produkte sind Elektroschrott und Elektrogeräte (WEEE entsprechend EU-Richtlinie 2012/19/EU) und dürfen nicht mit unsortiertem Haushaltsmüll vermischt werden. Schützen Sie stattdessen Ihre Mitmenschen und die Umwelt, indem Sie Ihre zu entsorgenden Geräte an eine dafür vorgesehene, von der Regierung oder einer lokalen Behörde eingerichtete Sammelstelle zum Recycling von Elektroschrott und Elektrogeräten bringen. Eine ordnungsgemäße Entsorgung und Recycling helfen, negative Auswirkungen auf die Gesundheit von Umwelt und Menschen zu vermeiden. Wenden Sie sich bitte an den Installateur oder lokale Behörden, um Informationen zum Standort und den allgemeinen Geschäftsbedingungen solcher Sammelstellen zu erhalten.








FAQ

Fehler	Mögliche Ursache	Lösung
Der Staubsauger funktioniert nicht.	Der Akku ist leer oder fast leer.	Laden Sie den Staubsauger vollständig auf und versuchen Sie es erneut.
	Durch eine Blockade wurde der Überhitzungsschutz ausgelöst.	Warten Sie, bis der Staubsauger abgekühlt ist und versuchen Sie es dann erneut.
	Die Saugöffnung oder der Strömungsweg ist blockiert.	Befreien Sie die Ansaugöffnung oder den Strömungsweg von etwaigen Hindernissen.
Die Saugleistung ist reduziert.	Der Staubbehälter ist voll und/oder der Filter ist verstopft.	Leeren Sie den Staubbehälter und reinigen Sie den Filter.
	Die intelligente Hochleistungs-Bürstenrolle und/oder das Verlängerungsrohr sind verstopft.	Entfernen Sie die Verstopfungen aus der intelligenten Hochleistungs-Bürstenrolle und/oder aus dem Verlängerungsrohr.
Der Motor gibt ein merkwürdiges Geräusch ab.	Die Hauptsaugöffnung oder das Verlängerungsrohr ist verstopft.	Entfernen Sie Verstopfungen aus der Hauptsaugöffnung oder dem Verlängerungsrohr.
Das erste Anzeigelicht ist nach Einschalten des Staubsaugers rot.	Der Akku ist beschädigt.	Wenden Sie sich bitte an den Kundendienst, um eine Wartung zu veranlassen.
Das erste Anzeigelicht blinkt beim Laden des Staubsaugers rot.	Das Ladegerät ist nicht kompatibel.	Benutzen Sie ausschließlich das Original-Ladegerät, um den Staubsauger aufzuladen.

Fehler	Mögliche Ursache	Lösung
Die Akku-Anzeige leuchtet während des Ladevorgangs nicht auf.	Das Ladegerät ist nicht mit dem Staubsauger verbunden.	Vergewissern Sie sich, dass das Ladegerät richtig eingesteckt ist.
	Der Akku ist vollständig geladen und ist in den Energiesparmodus gewechselt.	Der Staubsauger kann normal benutzt werden.
	Wenn die beiden vorstehend genannten Möglichkeiten ausgeschlossen worden sind und das Problem weiter besteht, wenden Sie sich bitte an den Kundendienst, um Hilfe zu erhalten.	
Der Akku wird nur langsam geladen.	Die Temperatur des Akkus ist zu hoch oder zu niedrig.	Warten Sie, bis die Akkutemperatur sich normalisiert hat und setzen Sie dann die Benutzung fort.
Der Wasserbehälter gibt kein Wasser ab oder gibt das Wasser nur langsam ab.	Der Filter des Wasserauslasses ist verstopft.	Reinigen oder ersetzen Sie den Filter des Wasserauslasses.
	Das Wischer-Pad ist verschmutzt.	Reinigen oder ersetzen Sie das Wischer-Pad.

Fehlerbehebung

Wenn der Staubsauger nicht ordnungsgemäß funktioniert, zeigt die Anzeige einen Fehlercode an. In der folgenden Tabelle können Sie anhand der Fehlermeldung die Lösung für das Problem finden.

Fehler-Symbol	Fehlermeldung	Lösung
	Strömungsweg blockiert	Entfernen Sie etwaige Verstopfungen aus dem Staubbehälter, dem Verlängerungsrohr und der intelligenten Hochleistungs-Bürstenrolle.
	Niedriger Akkustand	Demnächst aufladen.
	Die Rollbürste sitzt fest	Unter „Reinigung der intelligenten Hochleistungs-Bürstenrolle“ im Abschnitt „Pflege und Wartung“ finden Sie Anweisungen zur Entfernung von Haaren und anderen Verschmutzungen, die sich in der Rollbürste verfangen haben.
	Akku leer	Demnächst aufladen.
	Akku überhitzt	Warten Sie, bis die Akkutemperatur sich normalisiert hat, bevor Sie die Benutzung fortsetzen.
	Fehler	Wenden Sie sich bitte an den Kundendienst, um eine Wartung zu veranlassen.
	Filter ist nicht installiert	Vergewissern Sie sich, dass der HEPA-Filter und der Vorfilter korrekt installiert sind.

Инструкция по технике безопасности

Это изделие предназначено исключительно для бытового использования. Перед использованием внимательно прочтите это руководство. Сохраните его — оно может понадобиться вам в дальнейшем.

Дети в возрасте от 8 лет и лица с ограниченными физическими, сенсорными или умственными способностями или недостаточным опытом и знаниями могут использовать этот прибор под наблюдением или после получения инструкций по технике безопасности и осознания возможных рисков. Дети не должны играть с прибором. Не разрешайте детям чистить устройство и выполнять другие действия по уходу за ним без присмотра взрослых.

Устройство должно использоваться только с блоком питания, поставляемым с устройством.

Пылесос не предназначен для игр. Детям нельзя играть с этим изделием и использовать его. Соблюдайте осторожность, используя пылесос рядом с детьми. Не разрешайте детям чистить пылесос и выполнять другие действия по уходу за ним без присмотра родителя или опекуна.

Используйте пылесос только для очистки сухих поверхностей в помещениях. Не устанавливайте, не заряжайте и не используйте это устройство на улице, в ванных комнатах и на территории вокруг бассейна. Не прикасайтесь к вилке или какой-либо другой части пылесоса влажными руками.

Чтобы снизить риск пожара, взрыва или телесных повреждений, перед использованием устройства убедитесь, что литий-ионный аккумулятор и зарядное устройство не повреждены. Не используйте пылесос, если аккумулятор или зарядное устройство повреждены.

Умная турбо-щетка с валиком, маленькая электрическая щетка, аккумулятор, шланг и пылесос проводят электрический ток, поэтому их не следует погружать в воду и другие жидкости. Тщательно высушивайте все детали после очистки.

Во избежание травм, вызванных подвижными деталями, отключайте пылесос перед очисткой умной турбо-щеткой с валиком и маленькой электрической щетки. Перед использованием пылесоса убедитесь, что умная турбо-щетка с валиком, контейнер для пыли и фильтр установлены надлежащим образом.

Используйте только оригинальное зарядное устройство (модель: BLJ24W308080P-V), которое поставляется вместе с изделием.

Используйте только аккумуляторы одобренного типа (модель P2046-7S1P-BC/P2046-7S1P-BCA).

Если зарядное устройство или аккумулятор повреждены, замените их оригинальными компонентами,

Инструкция по технике безопасности

приобретенными у производителя или в отделе послепродажного обслуживания.

Не используйте пылесос для сбора легковоспламеняющихся и горючих жидкостей, таких как бензин, отбеливатели, аммиак и очистители труб, а также других жидкостей, например воды.

Не используйте пылесос для сбора частиц гипсокартона, пепла (например, от камина) и дымящихся или горящих материалов (например, угля, окурков или спичек).

Не используйте пылесос для сбора острых и твердых предметов, таких как стекло, гвозди, винты или монеты, которые могут повредить изделие.

Не допускайте попадания волос, свободной одежды, пальцев и других частей тела в отверстия и движущиеся части пылесоса. Не приближайте отверстие для всасывания, шланг и другие аксессуары к глазам и ушам, а также не кладите их в рот.

Не кладите никакие предметы в отверстия пылесоса и не используйте его, если какое-либо отверстие закрыто. Убирайте пыль, пух, волосы и другой мусор, который может блокировать поток воздуха.

Не прислоняйте пылесос к стульям, столам и другим неустойчивым поверхностям, так как это может привести к повреждению изделия или травмам. В случае неисправности пылесоса, вызванной опрокидыванием или повреждением, обратитесь в уполномоченный сервисный центр. Не пытайтесь самостоятельно разобрать пылесос.

Необходимо строго соблюдать все инструкции по зарядке изделия, представленные в руководстве пользователя. Неправильная зарядка пылесоса или несоблюдение температурного режима может привести к повреждению аккумулятора.

Используйте только оригинальное зарядное устройство для зарядки изделия при температуре окружающей среды от 0 °C до 40 °C, иначе аккумулятор может быть поврежден.

Перед использованием пылесоса убедитесь, что крышка контейнера для пыли, фильтр предварительной очистки, циклонный блок и HEPA-фильтр установлены правильно.

Отключайте пылесос, если он не используется в течение длительного периода времени, а также перед выполнением какого-либо обслуживания или ремонта.

Будьте особенно осторожны при использовании пылесоса на лестнице.

Предупреждение о пожарной безопасности. Не добавляйте в фильтр пылесоса какие-либо ароматизаторы.

Они часто содержат легковоспламеняющиеся химические вещества, из-за которых может случиться возгорание пылесоса.

Когда аккумулятор не используется, храните его отдельно от любых металлических предметов, например скрепок, монет, ключей, гвоздей или винтов. Короткое замыкание контактов аккумулятора повышает риск пожара и получения ожогов.

В неблагоприятных условиях из аккумулятора может вытечь жидкость. Избегайте контакта с этой жидкостью, так как это может привести к появлению раздражения или ожогам. При контакте промойте пораженный участок водой. Если жидкость попала в глаза, обратитесь за медицинской помощью.

НЕ подвергайте аккумулятор и устройство воздействию огня, так как это может привести к взрыву.

НЕ допускайте попадания пресной или соленой воды либо других жидкостей на аккумулятор и устройство, а также их погружения в такие жидкости.

Применяйте это устройство согласно руководству пользователя. Пользователи несут ответственность за убытки и ущерб, которые возникли из-за несоблюдения инструкций.

Данное устройство предназначено только для домашнего использования.

Меры предосторожности при хранении и транспортировке:

- Не транспортируйте робот-пылесос при температуре выше 50 °C или ниже -20 °C.
- В течение короткого периода, например одного месяца, пылесос рекомендуется хранить при температуре от -20 до 50 °C и относительной.

влажности 60 % ± 5 %. В течение длительного времени храните пылесос при температуре окружающей среды от 0 °C до 25 °C.

- Утилизируйте пылесос надлежащим образом. Когда его срок службы подойдет к концу, утилизируйте пылесос в соответствии с местными законами и правилами страны или региона, в котором он используется. Дату производства см. на этикетке со штрих-кодом.

Мы, компания Dreame (Tianjin) Information Technology Co., Ltd. настоящим заявляем, что данное оборудование соответствует требованиям всех действующих директив ЕС и европейских стандартов с изменениями и дополнениями. Полный текст декларации о соответствии нормативным требованиям ЕС доступен по следующему адресу:

<http://www.mi.com/global/service/support/declaration.html>

Подробное электронное руководство см. по адресу www.mi.com/global/service/userguide

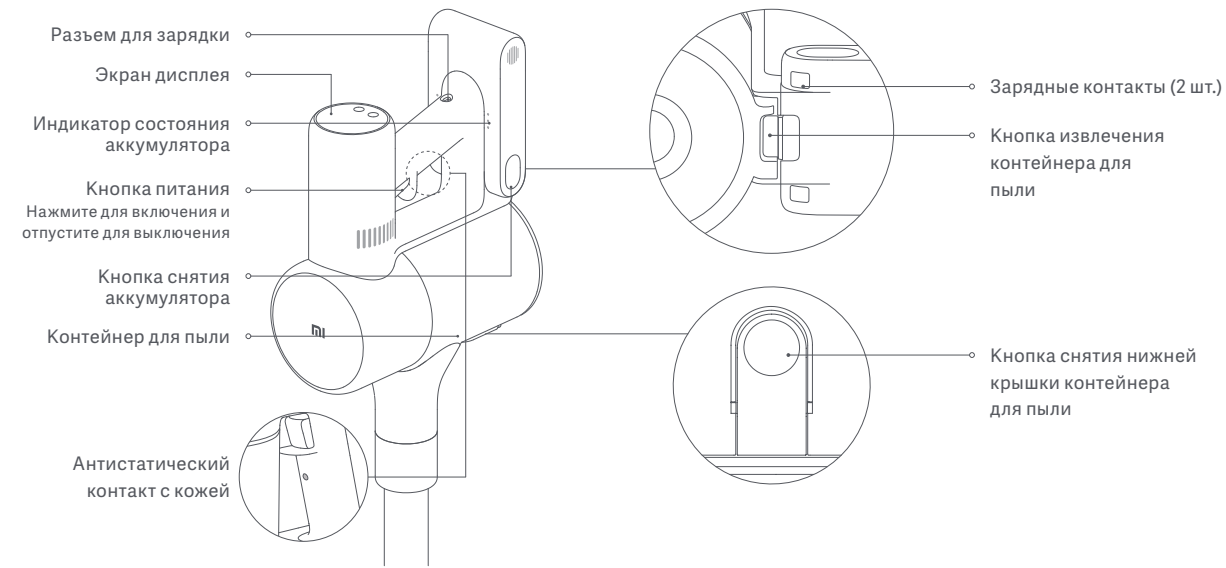
Описание изделия

Список аксессуаров



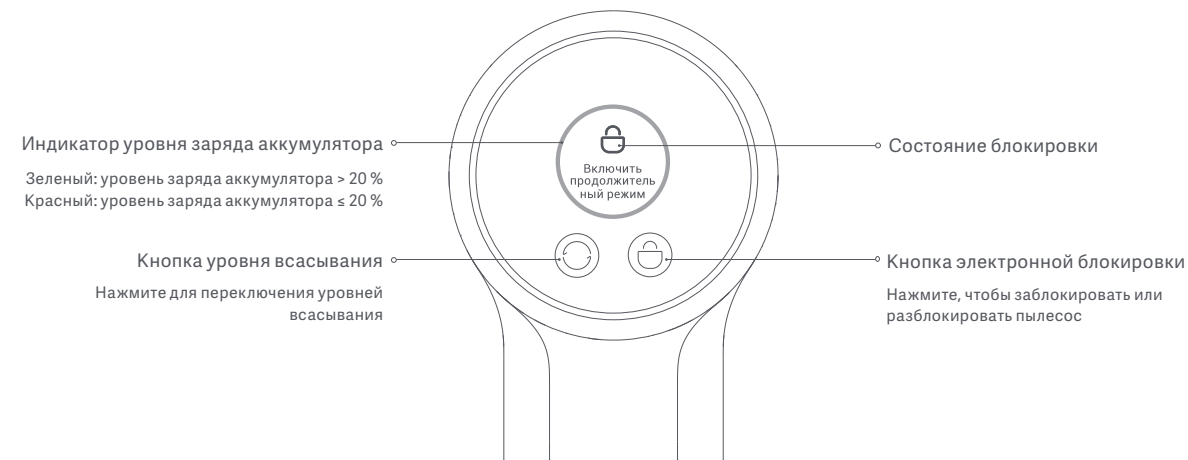
Примечание. Изображения устройства, аксессуаров и пользовательского интерфейса в руководстве пользователя приведены исключительно в справочных целях. Фактические характеристики прибора и его функции могут отличаться в связи с улучшениями продукта.

Название компонента



Описание изделия


Экран дисплея

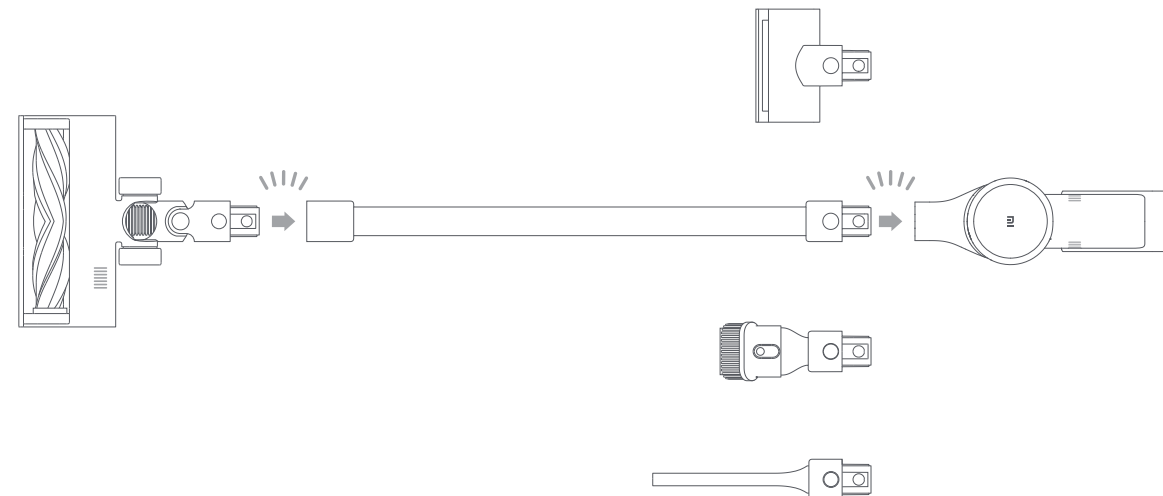


Примечание. В случае неисправности пылесоса на дисплее появится сообщение об ошибке. Решение можно найти в разделе "Устранение неполадок".

Инструкции по установке

Установка аксессуаров на пылесос

 Вставляйте, пока не услышите щелчок



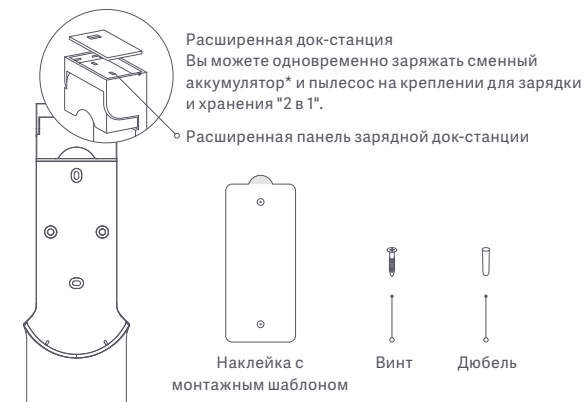
Примечание. Маленькую электрическую насадку-щетку не следует использовать со шлангом.

Инструкции по установке

Установка крепления для зарядки и хранения "2 в 1"

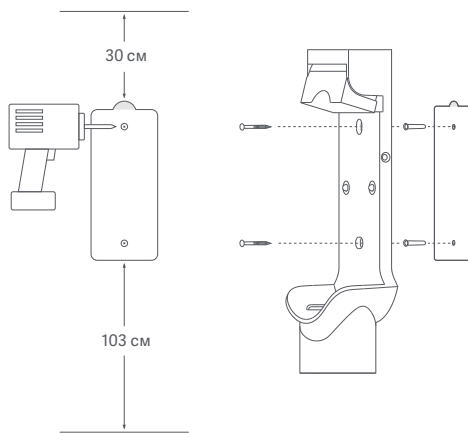
1. Крепление для зарядки и хранения "2 в 1" следует устанавливать в прохладном и сухом месте рядом с электрической розеткой. Перед монтажом убедитесь, что непосредственно за местом установки крепления нет проводов и труб.

2. Нижний край наклейки с монтажным шаблоном должен располагаться параллельно полу на расстоянии не менее 1,03 м от него, а над ее верхним краем необходимо оставить зазор не менее 30 см.



3. При помощи перфоратора со сверлом на 8 мм просверлите отверстие через соответствующие отметки на наклейке, а затем вставьте дюбель в каждое отверстие.

4. Сопоставьте монтажные отверстия на креплении для зарядки и хранения "2 в 1" с отверстиями в стене, а затем прикрутите установку к стене с помощью прилагающихся винтов.



Рекомендуемая высота: не менее 1,03 м от пола

Зарядка

Индикатор состояния аккумулятора

○ Выкл. ☀ Мигание ● Вкл.

☀ ○ ○ Низкий уровень заряда аккумулятора

● ☀ ○ Средний уровень заряда аккумулятора

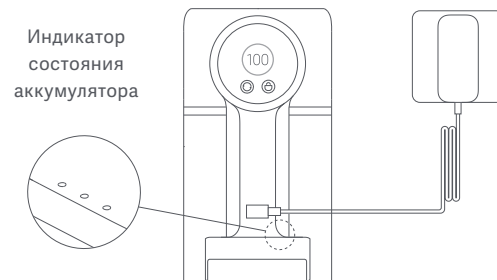
● ● ☀ Почти полный уровень заряда аккумулятора

● ● ● Полный уровень заряда аккумулятора

Индикатор погаснет через 5 минут после полной зарядки аккумулятора, а пылесос перейдет в энергосберегающий режим.

Экран дисплея

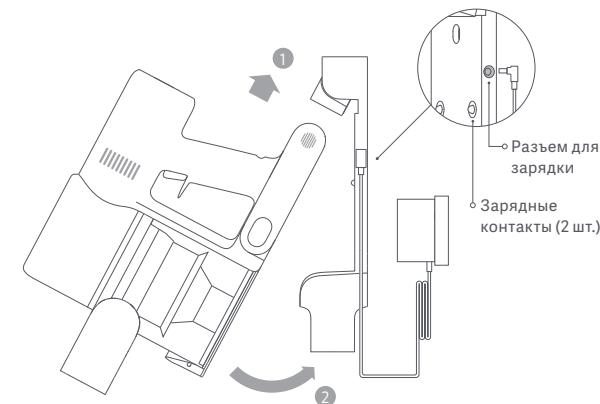
Число на дисплее обозначает текущий уровень заряда аккумулятора в процентах во время зарядки. Значение 100 означает, что аккумулятор полностью заряжен.



Зарядка пылесоса с помощью зарядного устройства

Примечания.




- Полностью зарядите пылесос перед первым использованием. Это займет около 4 часов.
- Пылесос нельзя использовать во время зарядки.
- Продолжительная уборка с максимальным уровнем всасывания приведет к нагреву аккумулятора, что может увеличить время зарядки. Перед зарядкой пылесоса рекомендуется дать ему остыть в течение 30 минут.



Зарядка пылесоса в креплении для зарядки


Инструкция

Установка языка

Нажмите и удерживайте кнопку  в течение 3 секунд, чтобы открыть список языков, а затем нажимайте кнопку  для прокрутки списка, чтобы выбрать нужный язык. Нажмите и удерживайте кнопку  в течение 2 секунд, чтобы использовать выбранный язык.

Примечание. Дисплей погаснет, если в течение 10 секунд не выполнялось никаких действий.

Переключение уровней всасывания

Нажимайте кнопку  для переключения между уровнями всасывания: экономичным, стандартным/автоматическим и высоким. Соответствующий уровень всасывания будет указан на дисплее.

Только при использовании умной турбо-щеткой с валиком будет активирован стандартный режим и на экране дисплея появится уведомление "Стандартный". После этого пылесос автоматически будет переключать уровни всасывания для режимов "Напольное покрытие/плитка" и "Ковер".

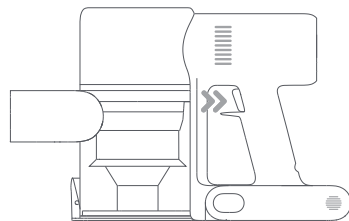
Примечание. Во время уборки пылесос можно в любой момент остановить, и при повторном запуске будет использоваться последний выбранный уровень всасывания.

Режимы работы

Пылесос поддерживает два режима работы, которые можно выбирать в соответствии с потребностями.



1. Режим прерывистой работы

Удерживайте кнопку питания, чтобы запустить пылесос, и отпустите ее, чтобы остановить устройство.

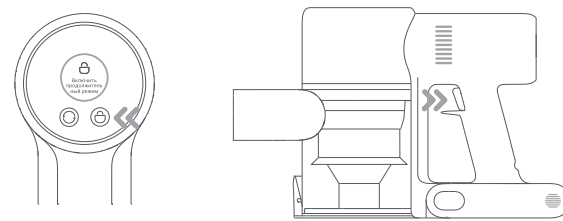


Режим прерывистой работы

2. Режим непрерывной работы

Нажмите кнопку  для перехода в режим непрерывной работы, а затем нажмите кнопку питания, чтобы включить пылесос. Чтобы выйти из режима непрерывной работы, нажмите кнопку .

При включении режима непрерывной работы пылесос может непрерывно работать без необходимости удерживать кнопку питания, что поможет освободить пальцы.



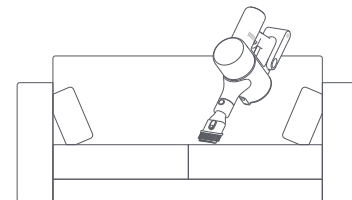
Режим непрерывной работы

Примечания.

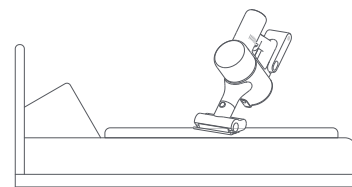
- Примечания. Пылесос переходит из режима непрерывной работы в режим ожидания при нажатии кнопки питания и возобновляет работу при повторном нажатии этой кнопки.
- Если пылесос останется в режиме ожидания дольше 10 секунд, дисплей погаснет, а пылесос выйдет из режима непрерывной работы.

Использование разных аксессуаров

Насадка-щетка "2 в 1": для очистки штор, диванов, салонов автомобилей, кофейных столиков и т. д.



Маленькая электрическая насадка-щетка: для уборки грязи, шерсти животных и другого стойкого мусора с диванов, матрасов и других тканевых поверхностей.

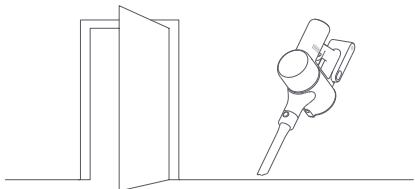


Примечания.

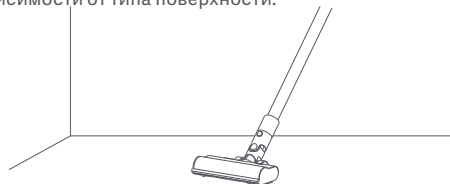
- Если какая-либо вращающаяся деталь заклинит, пылесос может автоматически отключиться. Уберите застрявшие посторонние предметы, а затем продолжите использование.
- В случае перегрева двигателя пылесос автоматически отключится. Подождите, пока температура аккумулятора нормализуется, а затем продолжите использование.

Использование разных аксессуаров

Щелевая насадка: для уборки в узких щелях и участках вокруг дверей, окон, плинтусов, углов, ступенек и т. д.



Умная турбо-щетка с валиком: для очистки различных напольных покрытий, например дерева, мрамора, плитки и ковров с коротким ворсом. В автоматическом режиме пылесос может автоматически регулировать уровень всасывания в зависимости от типа поверхности.



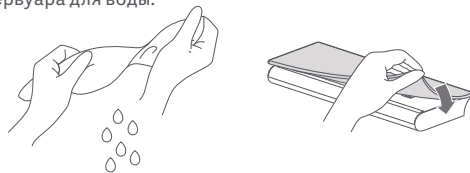
Примечание. Умную турбо-щетку с валиком можно подключить непосредственно к пылесосу.

Использование функции влажной уборки

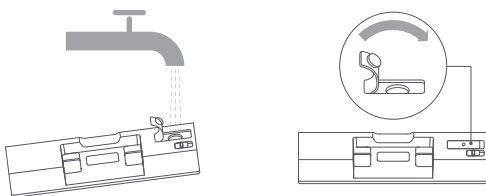
Примечания.

- Не наступайте на резервуар для воды, это может привести к необратимым повреждениям.
- Для получения лучших результатов сильно загрязненные полы следует пылесосить перед влажной уборкой.
- Не используйте функцию влажной уборки для чистки ковров.
- Не используйте чистящие и дезинфицирующие средства.

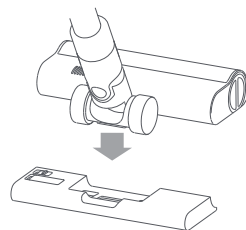
1. Смочите губку для влажной уборки и выжмите из нее лишнюю воду, а затем надежно прикрепите ее к нижней части резервуара для воды.



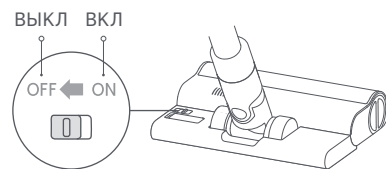
2. Откройте крышку резервуара для воды, добавьте нужное количество чистой воды и закройте крышку.



3. Присоедините умную турбо-щетку с валиком к резервуару для воды, сопоставив магниты на компонентах.



4. Эта функция предназначена для уборки и протирания паркетных и плиточных полов.



Примечания.

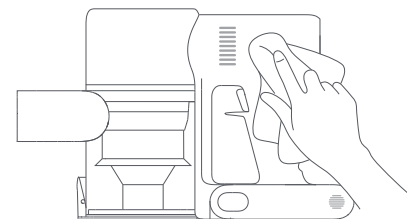
- Шаровой клапан резервуара для воды контролирует количество выпускаемой воды. Шарик является подвижной деталью и может издавать звуки при запуске и остановке. Это нормально.
- Когда изделие не используется, переводите переключатель в положение "Выкл".

Меры предосторожности при уходе за устройством

- Используйте оригинальные запчасти, иначе гарантия может быть аннулирована.
- Если фильтр, шланг или умная турбо-щетка с валиком засорится, пылесос вскоре прекратит работу. Чтобы снова запустить его, очистите засоренный компонент.
- Если вы не планируете использовать пылесос в течение длительного периода, полностью зарядите его, отключите от розетки и храните в прохладном месте с низкой влажностью вдали от прямых солнечных лучей. Во избежание избыточной разрядки аккумулятора заряжайте пылесос как минимум раз в три месяца.

Чистка пылесоса

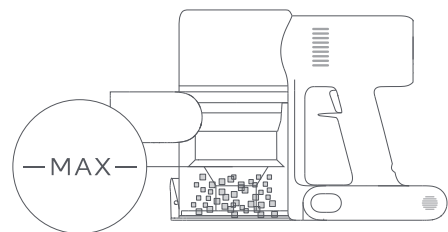
Протрите пылесос мягкой сухой тканью.



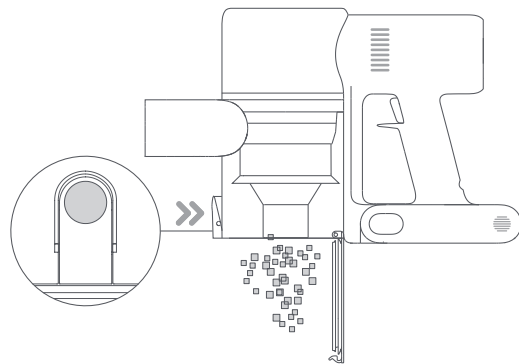
Уход и техническое обслуживание

Чистка контейнера для пыли, фильтра предварительной очистки и циклонного блока

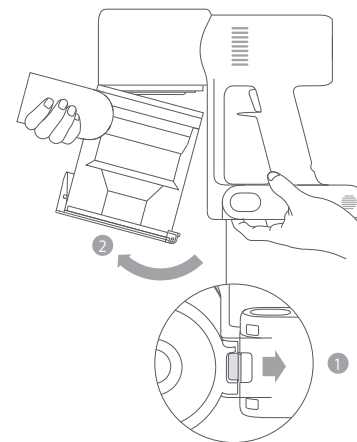
1. Если контейнер для пыли заполнен до отметки MAX, эффективность работы пылесоса значительно снижается. Для оптимальной работы своевременно опорожняйте контейнер для пыли. Перед опорожнением контейнера убедитесь, что пылесос отключен от розетки, и не нажимайте кнопку питания.



2. Нажмите кнопку снятия нижней крышки контейнера для пыли, а затем извлеките содержимое.

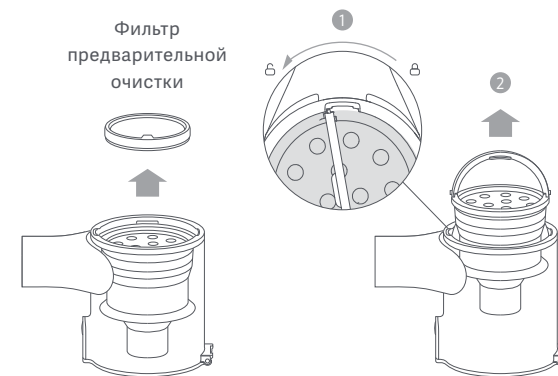


3. Нажмите переключатель извлечения контейнера для пыли в направлении, обозначенном стрелкой, а затем осторожно выньте контейнер для пыли из пылесоса.



Кнопка извлечения контейнера для пыли

4. Сначала выньте фильтр предварительной очистки, снимите ручку циклонного блока и поверните ее против часовой стрелки до упора, а затем вытяните циклонный блок.



Фильтр предварительной очистки

Уход и техническое обслуживание

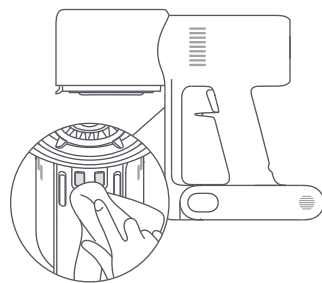
5. Дочиста промойте фильтр предварительной очистки, циклонный блок и контейнер для пыли водой, а затем отложите все детали как минимум на 24 часа, чтобы они полностью высохли.



Примечания.

- Контейнер для пыли следует промывать как минимум раз в месяц.
- Фильтр предварительной очистки и циклонный блок следует чистить раз в 3–4 месяца.

Если контактные точки пылесоса загрязнились, протрите их мягкой сухой тканью.

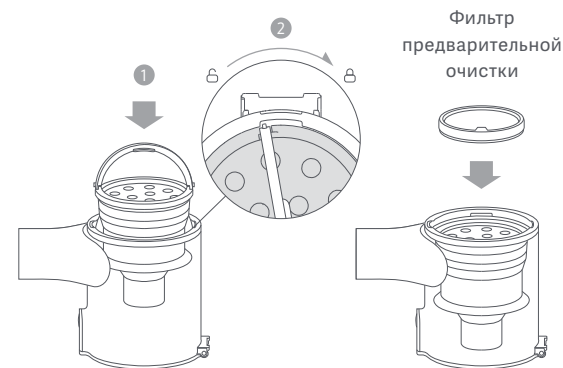


Примечания.

- Не используйте чистящие средства, полироли и освежители воздуха при чистке контейнера для пыли.
- Не мойте контейнер для пыли, фильтр предварительной очистки и циклонный блок в посудомоечной или стиральной машине, а также не пытайтесь сушить какой-либо компонент в сушилке, печи, микроволновой печи или у открытого огня.

Установка контейнера для пыли, фильтра предварительной очистки и циклонного блока

1. Вставьте циклонный блок в вертикальном положении в контейнер для пыли и убедитесь, что ручка циклонного блока сопоставлена с отверстием на левой стенке контейнера для пыли. Поверните ручку против часовой стрелки до упора, а затем опустите ее.
2. Вставьте фильтр предварительной очистки в циклонный блок передней стороной вверх.



3. Слегка наклоните контейнер для пыли, чтобы отверстие на нем сопоставилось с фиксатором на пылесосе. Затем осторожно протолкните контейнер для пыли до щелчка.

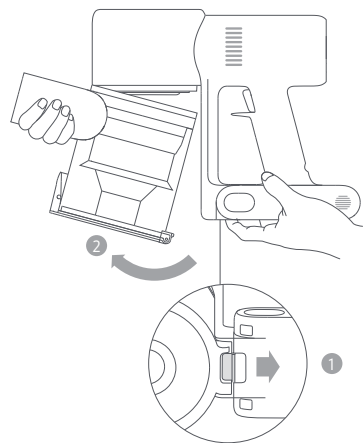


Уход и техническое обслуживание

Чистка HEPA-фильтра

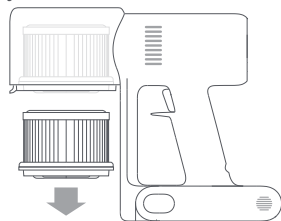
Примечание. Рекомендуется чистить HEPA-фильтр каждые 4–6 месяцев.

1. Снимите контейнер для пыли, как показано на рисунке.



Кнопка извлечения контейнера для пыли

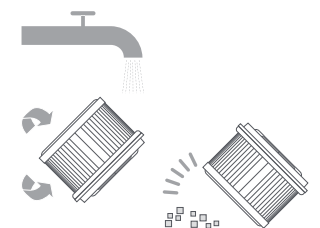
2. Выньте HEPA-фильтр из пылесоса, потянув его вниз, как показано на рисунке.



3. Промойте HEPA-фильтр чистой водой. Обязательно поверните HEPA-фильтр на 360°, чтобы полностью удалить накопившуюся в нем пыль. Несколько раз легко стукните по фильтру, чтобы убрать избыток грязи.

Примечания.

- Промывайте фильтр только чистой водой. Не используйте чистящее средство.
- Не пытайтесь чистить HEPA-фильтр щеткой или пальцами.

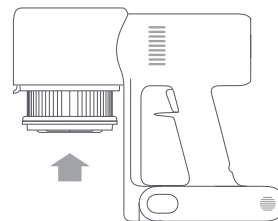


4. Просушите HEPA-фильтр в течение как минимум 24 часов.

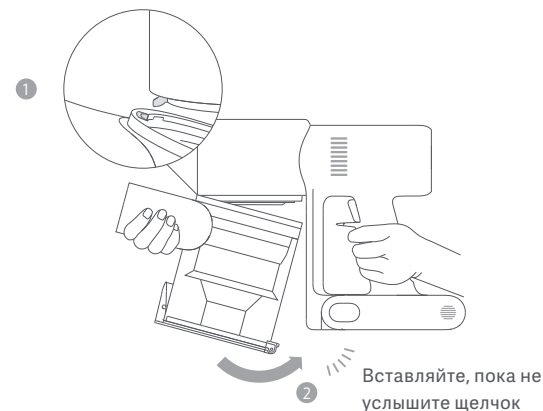


Установка HEPA-фильтра

1. Вставьте HEPA-фильтр в пылесос и слегка надавите на него, как показано на рисунке.



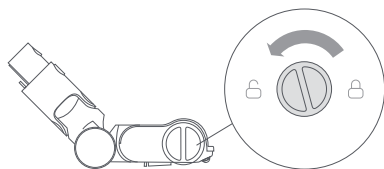
2. Установите контейнер для пыли на место.



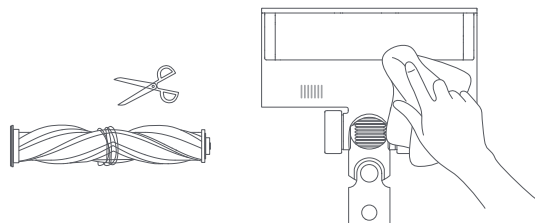
Уход и техническое обслуживание

Чистка умной турбо-щеткой с валиком

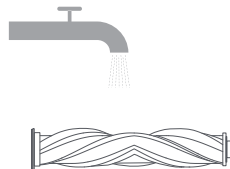
1. Поверните замок против часовой стрелки до упора, а затем выньте валик из турбо-щеточки.



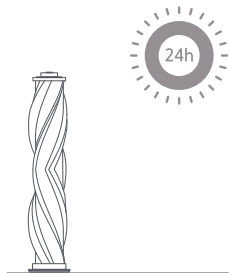
2. С помощью ножниц вырежьте и вытяните волосы и другой мусор, запутавшийся в валике. Сотрите избыток пыли с отверстия и очистите пластиковую крышку с помощью сухой ткани или бумажного полотенца.



3. После продолжительного использования валик может загрязниться и нуждаться в промывке.

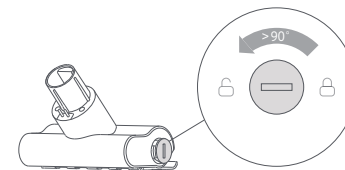


4. После мытья тщательно высушите валик, оставив его в вертикальном положении в хорошо проветриваемом месте как минимум на 24 часа.

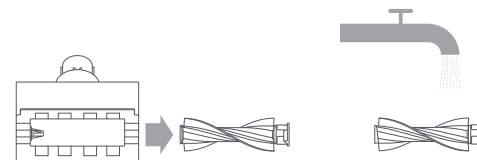


Чистка маленькой электрической насадки-щеточки

1. С помощью монетки поверните замок против часовой стрелки до щелчка.



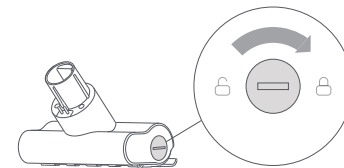
2. Разблокировав валик, снимите его со щетки, а затем промойте и почистите.



3. После мытья тщательно высушите валик, оставив его в вертикальном положении в хорошо проветриваемом месте как минимум на 24 часа.



4. Когда валик высохнет, установите его на место, выполнив этапы разборки в обратном порядке.



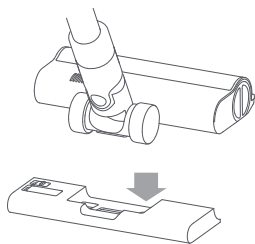
Уход и техническое обслуживание

Чистка резервуара для воды и губки для влажной уборки

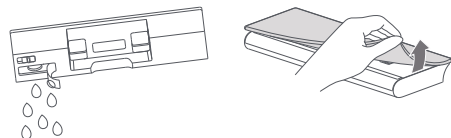
Примечания.

- Когда пылесос заряжается или не используется, выньте резервуар для воды и слейте остатки воды во избежание образования плесени и неприятного запаха.
- Изношенную или поврежденную губку для влажной уборки, которая больше не держится на резервуаре для воды, необходимо заменить для оптимального качества уборки.

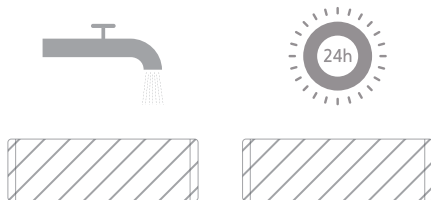
1. Сдвиньте резервуар для воды вниз, чтобы отсоединить его от умной турбо-щеткой с валиком.



2. Опорожните резервуар для воды.
3. Снимите губку для влажной уборки с резервуара для воды.



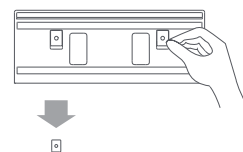
4. Вымойте и высушите губку для влажной уборки.



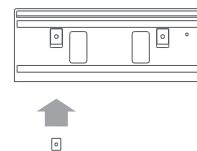
Фильтр водораздатчика

Если резервуар для воды выпускает воду слишком медленно или засорился, следует заменить фильтр водораздатчика. Для оптимального качества влажной уборки рекомендуется заменять фильтры водораздатчика каждые 3–6 месяцев в зависимости от качества воды и частоты использования.

1. Пальцами извлеките старые фильтры водораздатчика с левой и правой стороны каждого гнезда.



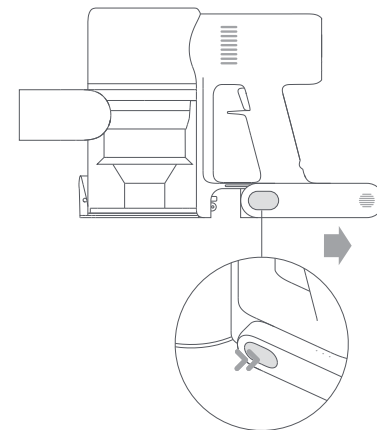
2. Вставьте новые фильтры водораздатчика и убедитесь, что они правильно установлены.



Аккумулятор

Пылесос содержит съемный литий-ионный аккумулятор с ограниченным количеством циклов зарядки. После продолжительного использования аккумулятор может перестать держать заряд. Это означает, что срок службы аккумулятора подошел к концу и его требуется заменить.

1. Нажмите кнопку снятия аккумулятора и сдвиньте аккумулятор вправо, как показано на рисунке, чтобы снять его.
2. Вставьте новый аккумулятор.



Технические характеристики

Пылесос			
Модель	MJSCXCQPT	Номинальное напряжение	25,2 В ===
Напряжение при зарядке	30,8 В ===	Расчетная емкость	3000 мА·ч
Номинальная мощность	450 Вт	Емкость контейнера для пыли	Макс. 0,6 л
Время зарядки	Около 4 ч	Вес нетто	4,2 кг
Размеры изделия	1286 × 214 × 256 мм		

Умная турбо-щетка с валиком		Маленькая электрическая насадка-щетка	
Модель	G10-01	Модель	1C-02
Номинальная мощность	40 Вт	Номинальная мощность	20 Вт
Номинальное напряжение	25,2 В ===	Номинальное напряжение	25,2 В ===

Зарядное устройство			
Изготовитель	Zhongshan Baolijin Electronic Co., Ltd.	Средний КПД в активном состоянии	87,5%
Модель	BLJ24W308080P-V	КПД при низкой нагрузке (10 %)	77,9%
Вход	100–240 В~ 50/60 Гц 0,8 А	Потребляемая мощность без нагрузки	0,10 Вт
Выход	30,8 В=== 0,8 А 24,6 Вт		

Specifications

Перезаряжаемый литий-ионный аккумулятор 71NR19/66			
Модель аккумулятора	P2046-7S1P-BC	Расчетная емкость	3000 мА·ч
Расчетное напряжение	25.2 V ===	Номинальная емкость	2800 мА·ч
Энергия	70,56 Вт·ч		

Литий-ионный аккумулятор содержит вещества, представляющие опасность для окружающей среды. Перед утилизацией пылесоса сначала выньте аккумулятор и утилизируйте или сдайте его на переработку в соответствии с местными законами и правилами страны или региона эксплуатации.

Информация об утилизации и переработке отходов электрического и электронного оборудования



Все изделия, обозначенные символом отдельного сбора отработанного электрического и электронного оборудования (WEEE, директива 2012/19/EU), следует утилизировать отдельно от несортируемых бытовых отходов. С целью охраны здоровья и защиты окружающей среды такое оборудование необходимо сдавать на переработку в специальные пункты приема электрического и электронного оборудования, определенные правительством или местными органами власти. Правильная утилизация и переработка помогут предотвратить возможные негативные последствия для окружающей среды и здоровья человека. Чтобы узнать, где находятся такие пункты сбора и как они работают, обратитесь в компанию, занимающуюся установкой оборудования, или в местные органы власти.








Вопросы и ответы

Ошибка	Возможная причина	Решение
Пылесос не работает.	Аккумулятор не вставлен или разряжен.	Полностью зарядите пылесос, а затем продолжите использование.
	Режим защиты от перегрева активирован из-за засорения.	Подождите, пока пылесос остынет, а затем повторно активируйте его.
	Заблокировано отверстие для всасывания или воздушный канал.	Очистите отверстие для всасывания или воздушный канал от мусора.
Сила всасывания снизилась.	Заполнен отсек для пыли и/или засорен фильтр.	Опорожните отсек для пыли и очистите фильтр.
	Засорилась умная турбо-щетка с валиком и/или шланг.	Удалите засоры из умной турбо-щеткой и/или шланга.
Двигатель издает странный шум.	Основное отверстие для всасывания или шланг заблокированы.	Очистите основное отверстие для всасывания или шланг от мусора.
Первый индикатор горит красным после включения пылесоса.	Аккумулятор поврежден.	Обратитесь в отдел послепродажного обслуживания для устранения проблемы.
Первый индикатор мигает красным после зарядки пылесоса.	Используется несовместимое зарядное устройство.	Используйте для зарядки пылесоса только оригинальное зарядное устройство.

Ошибка	Возможная причина	Решение
Индикатор аккумулятора не горит во время зарядки.	Зарядное устройство не подключено к пылесосу.	Убедитесь, что зарядное устройство правильно подключено.
	Аккумулятор полностью заряжен и перешел в спящий режим.	Пылесос не получается использовать обычным образом.
	Если проблема остается после устранения двух указанных выше неполадок, обратитесь за помощью в гарантийную службу.	
Аккумулятор медленно заряжается.	Слишком низкая или слишком высокая температура аккумулятора.	Подождите, пока температура аккумулятора нормализуется, а затем продолжите использование.
Резервуар для воды не выпускает воду или делает это слишком медленно.	Фильтр водораздатчика засорен.	Очистите или замените фильтр водораздатчика.
	Губка для влажной уборки загрязнилась.	Очистите или замените губку для влажной уборки.

Устранение неполадок

Если пылесос не работает надлежащим образом, на дисплее появится сообщение об ошибке. Способ устранения той или иной ошибки можно найти в приведенной ниже таблице устранения неполадок.

Значок ошибки	Сообщение об ошибке	Решение
	Воздушный канал засорен	Устраните все засоры в контейнере для пыли, шланге и/или умной турбо-щетке с валиком.
	Низкий уровень заряда аккумулятора	Как можно скорее зарядите аккумулятор.
	Щетка-валик застряла	Инструкции по чистке валика от волос и другого мусора представлены в подразделе "Чистка умной турбо-щетке с валиком" в разделе "Уход и техническое обслуживание".
	Аккумулятор разряжен	Как можно скорее зарядите аккумулятор.
	Перегрев аккумулятора	Подождите, пока температура аккумулятора нормализуется, а затем продолжите использование.
	Ошибка	Обратитесь в отдел послепродажного обслуживания для устранения проблемы.
	Фильтр не установлен	Убедитесь, что HEPA-фильтр и фильтр предварительной очистки правильно установлены.

Безопасность

Этот продукт предназначен для использования в домашних условиях. Перед использованием внимательно прочтите инструкцию. Также можно обратиться к справочнику. Всегда соблюдайте меры безопасности.

Травмы или повреждение органов чувств, а также интеллектуальные повреждения могут возникнуть, если не соблюдать меры безопасности. Пользователь должен быть ознакомлен с опытом и знаниями, связанными с использованием этого продукта. Пользователь должен быть ознакомлен с мерами безопасности, которые могут быть приняты для обеспечения безопасности.

Этот продукт предназначен для использования в домашних условиях. Перед использованием внимательно прочтите инструкцию. Также можно обратиться к справочнику. Всегда соблюдайте меры безопасности.

Пользователь должен быть ознакомлен с опытом и знаниями, связанными с использованием этого продукта. Пользователь должен быть ознакомлен с мерами безопасности, которые могут быть приняты для обеспечения безопасности. Пользователь должен быть ознакомлен с мерами безопасности, которые могут быть приняты для обеспечения безопасности.

Использование в помещениях с сухой поверхностью. Не используйте в помещениях с влажной поверхностью, в ванной комнате, в бассейне и в других местах. Не используйте в помещениях с влажной поверхностью.

Не прикасайтесь к розетке или продукту, не прикасайтесь к продукту.

Пожар и взрыв, избегайте, используйте только литий-ионные батареи и адаптеры питания. Проверьте, нет ли неисправностей.

Литий-ионные батареи и адаптеры питания могут быть повреждены, если не соблюдать меры безопасности. Проверьте, нет ли неисправностей.

Высокая мощность, мини-электрические щетки, батареи, удлинитель и корпус являются электрическими компонентами. Вода и другие жидкости могут повредить. Тщательно очистите.

Высокая мощность, мини-электрические щетки, батареи, удлинитель и корпус являются электрическими компонентами. Вода и другие жидкости могут повредить. Тщательно очистите. Сначала отключите питание. Высокая мощность, мини-электрические щетки, батареи, удлинитель и корпус являются электрическими компонентами. Вода и другие жидкости могут повредить. Тщательно очистите.

Модель BLJ24W308080P-V является оригинальным адаптером питания.

安全上のご注意

品番が P2046-7S1P-BC/P2046-7S1P-BCA の電池のみ使用できます。

電源アダプタやリチウム電池に異常が見られた場合は、製造元やメンテナンス部門から専用の交換部品を購入して交換してください。

製品を使用して水やガソリンなどの可燃性または爆発性のある液体を吸引しないでください。また、漂白剤、アンモニア、排水管洗浄剤やその他の有毒溶液を吸引しないでください。

クリーナーを使用して石膏ボードの粉塵、暖炉のすすおよび灰かすを掃除しないでください。また、炭やタバコ、マッチなど煙の出ているものや燃えているものを吸引しないでください。

クリーナーを使用してガラス、釘、ネジ、硬貨など先のとがったものや硬いものを掃除しないでください。クリーナーの故障の原因となります。

製品の吸気経路や動作部に毛髪やゆったりとした衣服、指や体の一部を近づけないでください。本体の吸込口や延長管またその他の付属品を目や耳に向けたり、それらを口の中に入れてたりしないでください。

吸込口には異物がないようにしてください。吸込口が詰まった状態でクリーナーを使用しないでください。ちりやほこり、綿くず、毛髪や他の異物が吸引力を低下させることがあります。速やかに取り除いてください。

クリーナーを椅子やテーブルなど不安定な面に置かないでください。落下して破損したり、けがの原因になったりすることがあります。クリーナーが転倒、破損した場合、またその他の故障が見られた場合は、ご自身で分解せずに、正規の修理店にお問い合わせください。

説明書の指示にしっかりと従って充電してください。規定温度範囲を超える環境で誤って充電を行うと、電池の故障の原因になります。

純正の電源アダプタを使用して、0° から 40° の環境で充電してください。それ以外の場合、故障の原因となります。

必ずダストカップ底カバー、プレフィルター、サイクロンシステム部および内蔵 HEPA フィルターを正しく取り付けてから使用してください。

長期間使用しない場合やお手入れや修理の前には、プラグを抜いてください。

製品を使用して階段を掃除する際は特に注意してください。

火災の危険について警告：匂いのある製品を本製品のフィルターに塗りつけしないでください。それらの製品の中の化学物質は燃えやすく、製品が発火する恐れがあることが知られています。

電池を使用しない場合は、電池をクリップ、硬貨、カギ、釘やネジなどの金属に近づけないでください。電池の端子がショートして発火や燃焼のリスクが高まります。

劣悪な条件下では、液体が電池から吹き出す恐れがあります。液体に触れないでください。刺激ややけどの原因となります。触れてしまった場合は、流水で手を洗ってください。目に入ってしまった場合は、医師の診察を受けてください。

電池や機器を燃やさないでください。爆発の原因となります。

電池や製品を水や塩水、他の液体の中にさらしたり浸したりしないでください。

説明書の指示に従って本製品を使用してください。誤った使用により生じた損害の責任は使用者が負います。

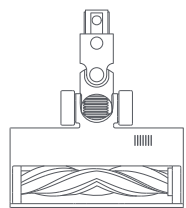
電子マニュアルの詳細については、www.mi.com/global/service/userguide をご覧ください。

製品紹介

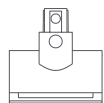
付属品リスト



延長管



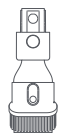
高トルクスマートブラシ



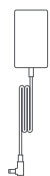
ミニ電動ブラシ



すき間ノズル



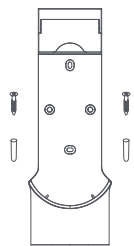
2 WAY ブラシ



電源アダプタ



ウォータータンク



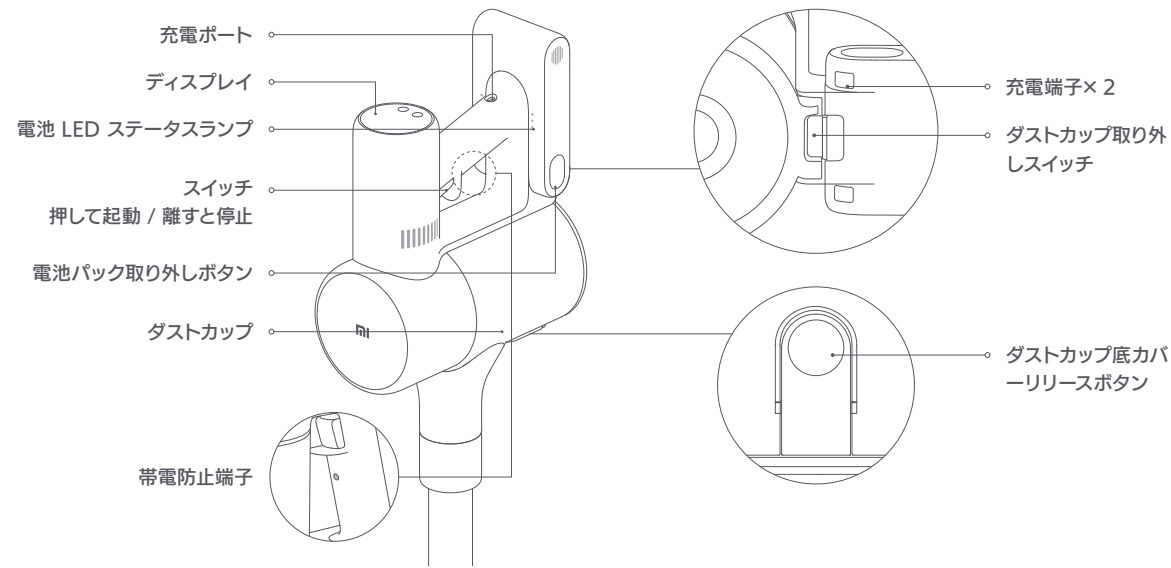
充電・収納兼用スタンド
(ネジ x2、アンカープラグ x2、位置
決めシールが含まれます)



モップ

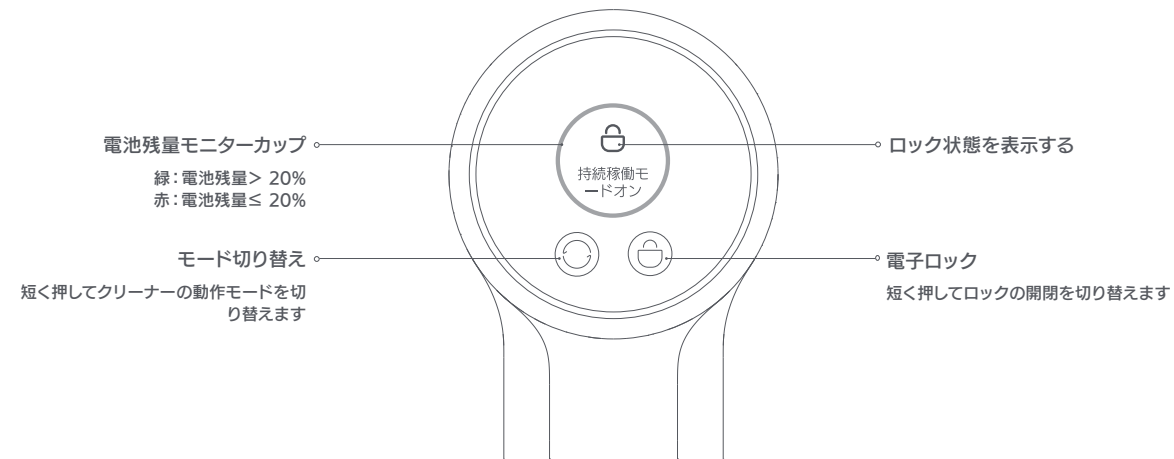
ヒント：説明書記載の製品、付属品、ユーザインタフェースなどの画像はイメージです。製品の更新や改良のため、実際の製品とイメージが多少異なる場合があります。その場合実物に準じます。

部品名



製品紹介

ディスプレイ

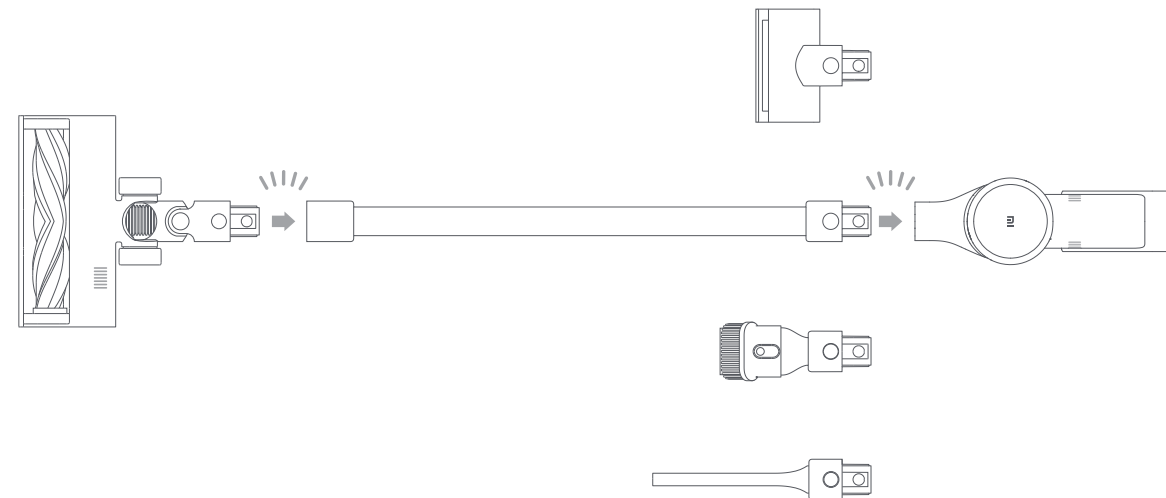


ヒント：クリーナーが正常に動作しない場合は、ディスプレイにエラー通知が表示されます。解決方法は【トラブルシューティング】を御覧ください。

組み立て

本体および付属品の組み立て図

カチッ

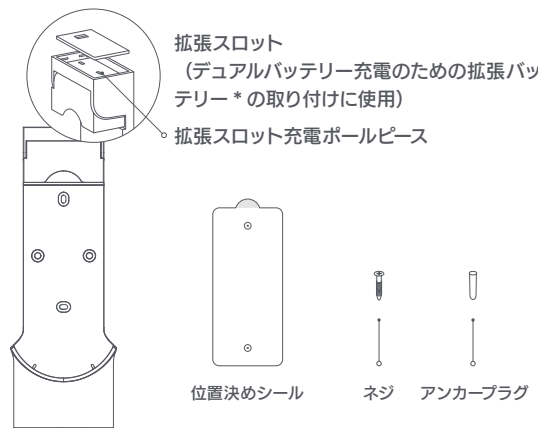


ヒント：ミニ電動ブラシは延長管につなぐに使用するようにお勧めします。

組み立て

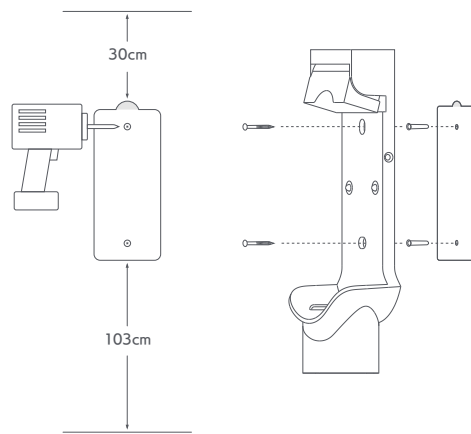
充電・収納兼用スタンドの設置

1. スタンドの位置には電源付近の日の当たらない乾燥した場所を選びます。設置位置の裏側に電線や配管などの設備がないことを確認します。
2. 位置決めシールを床面と平行に壁に貼り付けます。シールの下部と床面は 103cm 以上間隔を開けて、上部に最低 30cm の遮蔽物のない空間を確保するようお勧めします。



* 拡張バッテリーは別途購入が必要です。

3. 3.8mm ドリルビットを装着した電動工具で位置決めシールの位置決め穴に合わせて穴を開け、アンカープラグをドリル穴に入れます。
4. 収納スタンドの取り付け穴と位置決めシールの位置決め穴を合わせて、ネジで収納スタンドを壁に固定します。



設置推奨高度：シール下部と床面の間隔が 103cm 以上

充電

電池 LED ステータスランプ

○ 消灯 ● 点滅 ● 常時点灯

● ○ ○ 電池残量低下

● ● ○ 電池残量正常

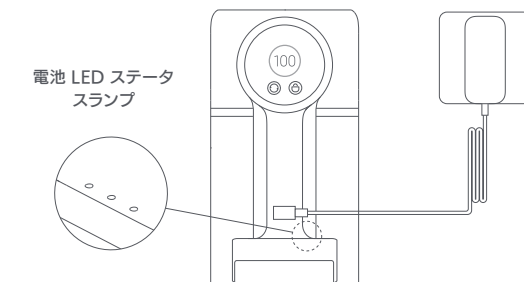
● ● ● 充電完了

● ● ● フル充電

フル充電後 5 分経過すると、ステータスランプが消灯して節電モードに切り替わります

ディスプレイ

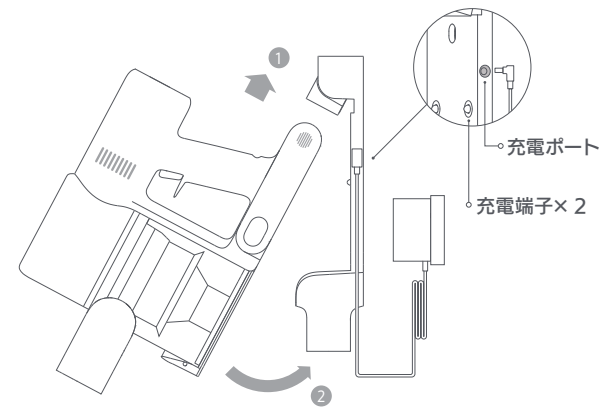
充電時、ディスプレイには電池残量が数値で表示されます。100 は充電完了を表します。



電源アダプタから直接充電する場合

ヒント:

- ・初めて使用する前に、フル充電するようにしてください。充電時間は約 4 時間です。
- ・充電中はクリーナーを起動できません。
- ・パワフルモードで連続使用すると電池温度が高くなり、この状態で充電すると充電に通常より長い時間がかかることがあります。本体を 30 分間冷却させてから充電するようお勧めします。



スタンドを利用して充電する場合

使用方法

言語設定

○ キーを 3 秒長押しして言語リストを表示させ、○ キーを短く押しして言語を切り替えて選択します。選択後、○ キーを 2 秒間長押しすると選択した言語に設定されます。

ヒント：無操作状態が 10 秒を超えるとディスプレイが消灯します。

モード切り替え

○ キーを短く押しすと、クリーナーは長時間モード、標準モード / 自動モード、パワフルモードの順に切り替わります。ディスプレイ上にはモード名が明るく表示されます。

自動モードは、高トルクスマートブラシが接続されている場合にのみ使用できます。ディスプレイに「自動」と強調表示され、クリーナーが自動的に吸引力をフロア (タイル) またはじゅうたんに切り替えます。

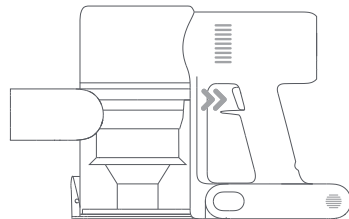
ヒント：いずれかの清掃モードで動作停止後、再度起動すると、クリーナーは最後に使用したモードで起動します。

動作モード

本製品には 2 通りの動作モードがあります。必要に応じて切り替えて使用できます。

1. 非連続動作モード

本体スイッチを押している間動作します。離すとすぐに停止します。

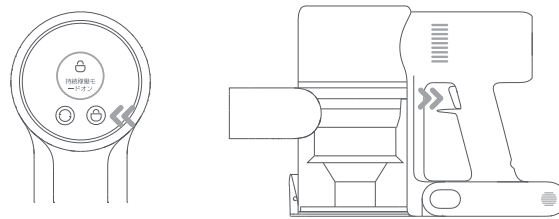


非連続動作モード

2. 連続動作モード

○ キーを 1 回押しして連続動作モードに切り替えてから、スイッチを短く押しすと本体が連続動作します。連続動作モードを終了する場合は、○ キーを再度 1 回押しします。

電子ロック機能を使うことで指が自由になり、スイッチを押し続けて指が疲れることはありません。



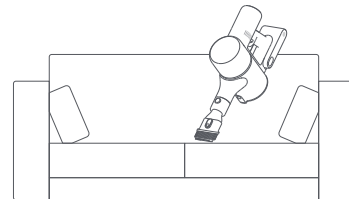
連続動作モード

ヒント：

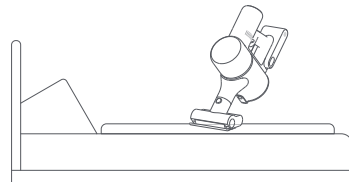
- ・ヒント：このモードで動作中、スイッチを短く押しすとクリーナーがスタンバイ状態に入ります。再度スイッチを短く押しすとクリーナーは動作を続けます。
- ・スタンバイが 10 秒を超えるとディスプレイが消灯し、自動的にロックが解除されます。

付属品の使用シーン

2 WAY ブラシ：カーテン、ソファ、車内、サイドテーブルなどの表面のちりやほこりを吸い取りに便利です。



ミニ電動ブラシ：ソファ、布団などの布製品のちりやほこりの吸引、ペットの毛や奥まった場所の掃除に便利です。



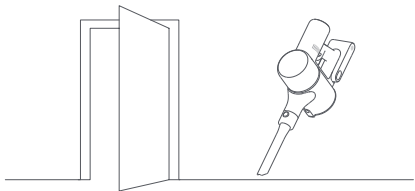
ヒント：

- ・いずれかの回転部が引っかかると、製品は自動的に停止します。引っかかっている異物をすべて取り除くと使用を続けることができます。
- ・電池過熱保護機能により、自動的に停止した場合は、正常な電池温度に戻るのを待ってから使用してください。

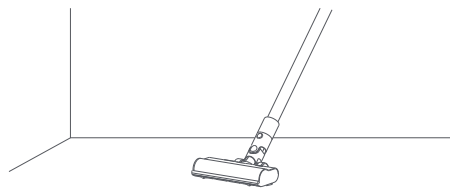
使用方法

付属品の使用シーン

すき間ノズル：窓サッシの溝、壁の四隅、階段など細かな隙間の掃除に便利です。



高トルクスマートブラシ：フローリング、大理石、タイル、毛足の短いじゅうたんなど、床面の掃除に便利です。自動モードではクリーナーは床面の種類に応じて自動的に吸引力を調整します。



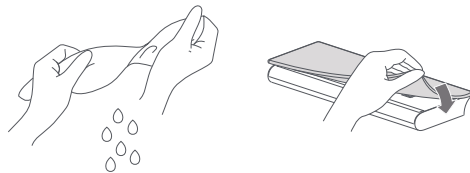
ヒント：高トルクスマートブラシは直接本体に取り付けて使用することもできます。

モップがけ機能を使用する

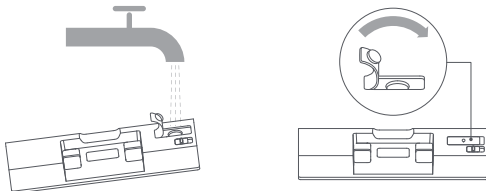
ヒント：

- ・ウォータータンクを踏みつけないでください。破裂の恐れがあります。
- ・床面が汚れている場合は、先に床面のほこりを取り除いてからモップがけを行うとより効果的です。
- ・じゅうたんの上ではモップがけ機能を使用しないでください。
- ・洗剤や消毒液は使用しないでください。

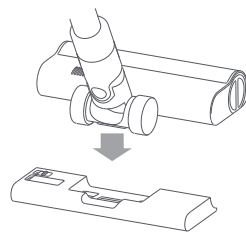
1. モップをぬらしてから水が垂れないようになるまでしっかりと絞り、ウォータータンクの裏面にしっかりと貼り付けます。



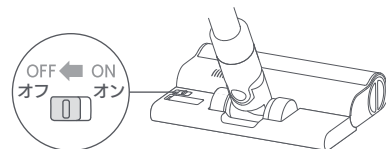
2. ウォータータンクの栓を開けてゆっくりと適量の水を入れてから、ウォータータンクの栓を閉じます。



3. 高トルクスマートブラシの取り付け位置とウォータータンクの取り付け位置を合わせると、磁力でウォータータンクがくっつきます。



4. フローリングやタイルのゴミの吸引や拭き掃除に便利です。



ヒント：

- ・ウォータータンクボールは給水を制御するバルブの役割を果たすもので、動作部品です。起動や停止時にローラー音がしますが、異常ではありません。
- ・使用しないときは、ウォータータンクの給水スイッチを「オフ」にしてください。

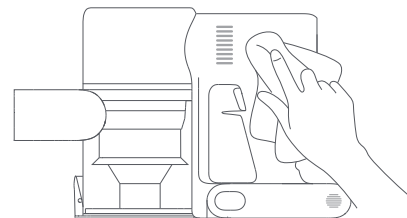
お手入れとメンテナンス

製品メンテナンスに関する注意事項

- ・必ず純正部品を使用してください。純正部品以外を使用されると保証の対象外となります。
- ・フィルターや延長管、高トルクスマートブラシが詰まると、本体は断続動作を繰り返してから停止します。速やかに異物を取り除いてから使用してください。
- ・長期間使用しない場合は、クリーナーのフル充電してから電源アダプタのプラグを抜き、日の当たらない乾燥した場所で保管してください。直射日光の当たる場所や湿気のある場所では保管しないでください。過放電を避けるため、少なくとも3カ月に1回は充電してください。

本体の清掃

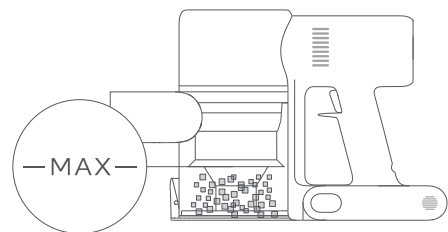
柔らかい乾いた布で本体を拭きます。



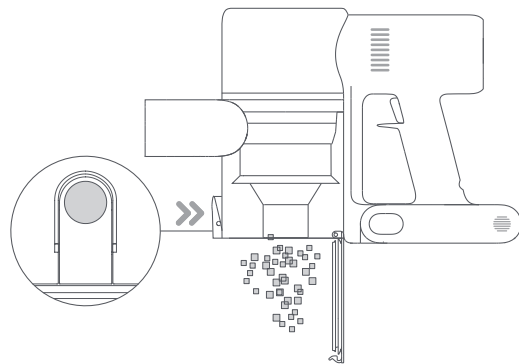
お手入れとメンテナンス

ダストカップ、プレフィルター、サイクロンシステム部の清掃

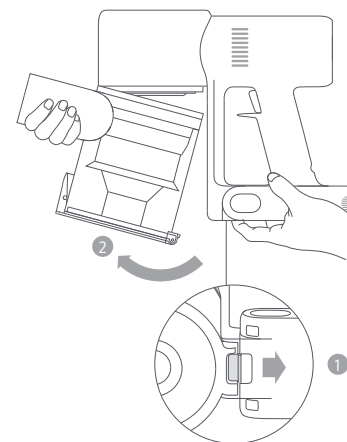
1. ちりやほこりなどのゴミが「MAX」(最大)までたまったら使用を続けると吸引力が低下します。早めに取り除いてから使用してください。清掃前には電源アダプタが外れていることを確認し、誤ってスイッチに触れてクリーナーが起動しないように注意してください。



2. 矢印の方向にダストカップ底カバーリリースボタンを押すと、ダストカップ底カバーが開きます。ダストカップ内のゴミを捨てます。

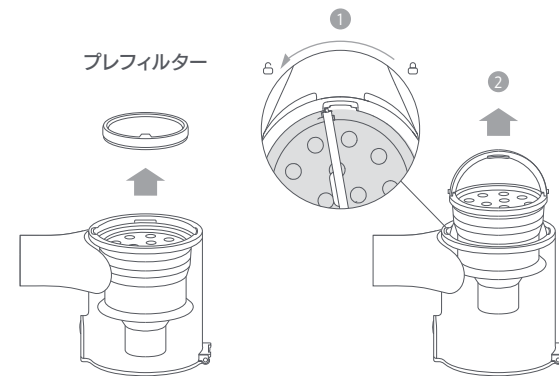


3. 図①が示すように矢印の方向に沿ってダストカップ底のダストカップ取り外しスイッチを引きながら、②が示すようにダストカップを取り外します。



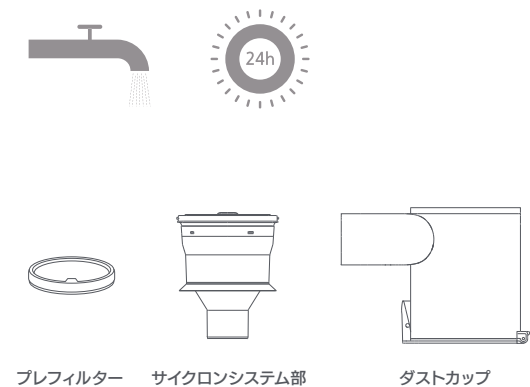
ダストカップ取り外しスイッチ

4. 先にプレフィルターを取り外してから、持ち手を引きながら反時計回りに回転が止まる位置まで回し、サイクロンシステム部を取り出します。



お手入れとメンテナンス

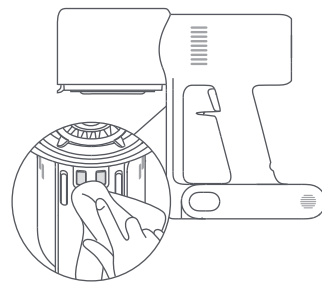
5. プレフィルター、サイクロンシステム部およびダストカップをきれいになるまで洗い流します。洗い終わったら、24 時間以上乾かしてしっかりと乾燥させます。



ヒント:

- 少なくとも毎月 1 回はダストカップを清掃するようお勧めします。
- 3-4 カ月に 1 回はダストカップ、プレフィルター、サイクロンシステム部を清掃するようお勧めします。

導電部が汚れた場合は、柔らかい乾いた布で導電部を拭いてください。

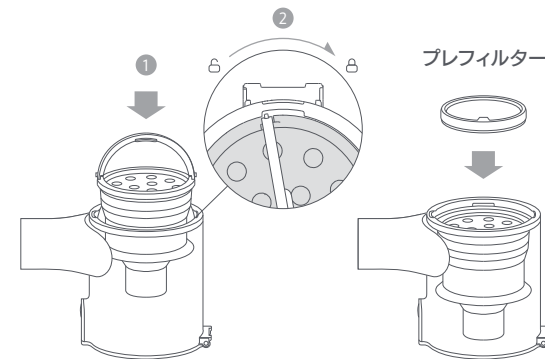


ヒント:

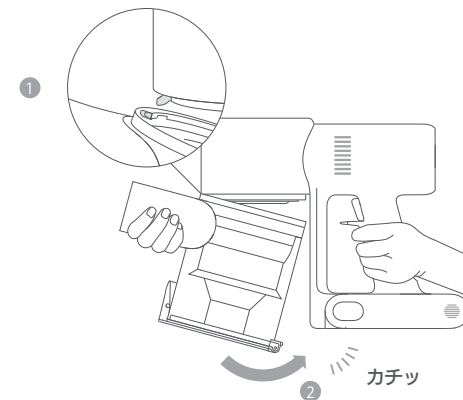
- 洗剤や研磨剤、消臭剤でダストカップを清掃しないでください。ダストカップ、プレフィルター、サイクロンシステム部を食器洗浄機
- や洗濯機に入れて洗ったり、ドラム式乾燥機やオープン、電子レンジや直火に近づけるなどして乾燥させたりしないでください。

ダストカップ、プレフィルター、サイクロンシステム部の取り付け

1. サイクロンシステム部を垂直にダストカップに入れ (持ち手をダストカップ溝のやや左側に合わせるよう注意してください)、時計回りに回転が止まるまで回してから持ち手を元に戻します。
2. プレフィルターの正面を上に向けて、サイクロンシステム部に取り付けます。



3. ダストカップをやや傾けながら、本体のツメとダストカップの溝を合わせて、矢印の方向にダストカップを軽く押し込みます。カチッと音がすれば、正しく取り付けられています。

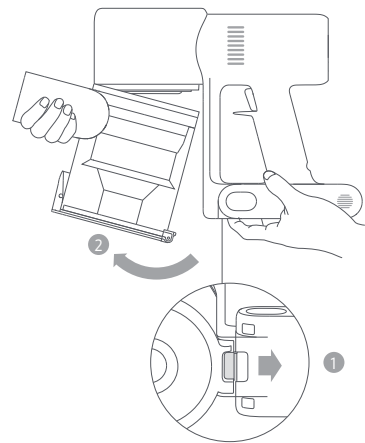


お手入れとメンテナンス

内蔵 HEPA フィルターの清掃

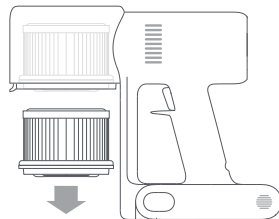
ヒント：少なくとも 4-6 カ月に 1 回は清掃するようお勧めします。

1. 図のようにダストカップを取り外します。



ダストカップ取り外しスイッチ

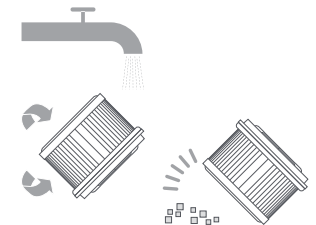
2. 図が示す方向に下に引き、内蔵 HEPA フィルターを本体から取り外します。



3. 水で内蔵 HEPA フィルターを洗浄します。洗浄する際には、HEPA フィルターを 360° 回転させて、HEPA フィルターの隙間のゴミがすべて取り除かれていることを確認します。シンクに軽く数回たたきつけると、ゴミがすべて取れます。

ヒント：

- ・水で洗浄してください。洗剤は使用しないでください。
- ・ブラシや指を使わずに HEPA フィルターを清掃してください。

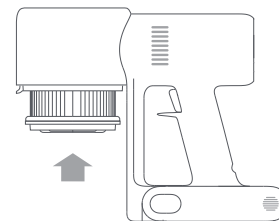


4. 内蔵 HEPA フィルターを 24 時間以上乾かしてしっかりと乾燥させます。

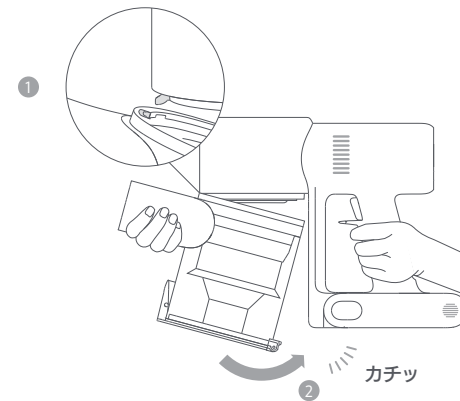


内蔵 HEPA フィルターの取り付け

1. 図のように内蔵 HEPA フィルターを本体に軽く押し込んで元に戻します。



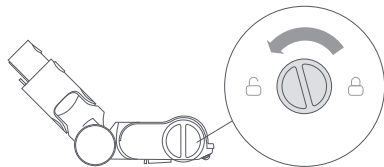
2. ダストカップを元に戻します。



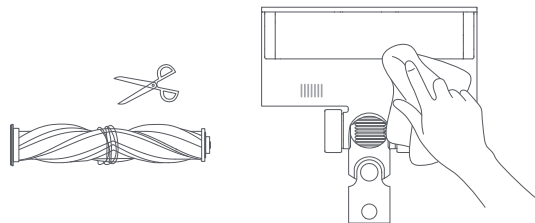
お手入れとメンテナンス

高トルクスマートブラシの清掃

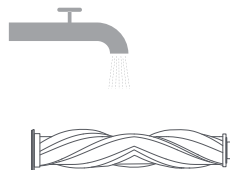
1. 図が示すようにロックを反時計回りに回転が止まる位置まで回して、ブラシから回転ブラシを取り出します。



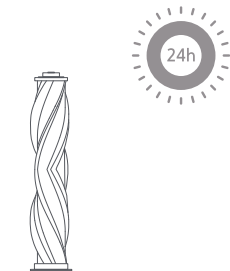
2. はさみで回転ブラシに絡みついた毛髪や繊維物質を切断して取り除きます。乾いた布やティッシュで溝やクリアカバーについたゴミを拭き取ります。



3. 長時間使用してブラシが汚れた場合は水洗いします。

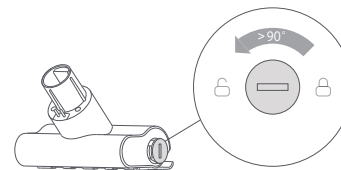


4. 乾燥させる時は回転ブラシを縦に置き、24 時間以上乾かしてしっかりと乾燥させます。

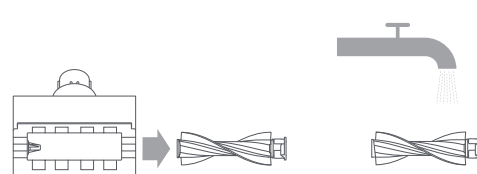


ミニ電動ブラシの清掃

1. 硬貨を使って図の方向にロックを反時計回りにカチッと音がするまで回します。



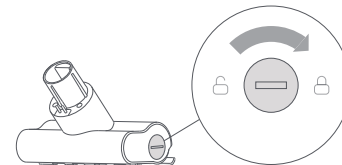
2. ロックを外してから、回転ブラシをミニ電動ブラシから取り出して、回転ブラシを水できれいに洗います。



3. 乾燥させる時は回転ブラシを縦に置き、24 時間以上乾かしてしっかりと乾燥させます。



4. 回転ブラシをしっかりと乾燥させてから、取り外した時と逆の手順で取り付けて完了です。



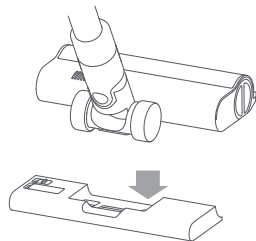
お手入れとメンテナンス

ウォータータンクとモップの清掃

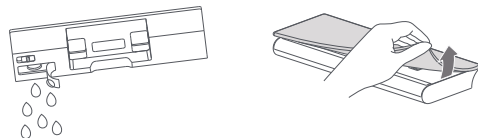
ヒント:

- ・充電中や使用しない時はウォータータンクを取り外して速やかに清掃し、カビや臭いが発生するのを防ぎます。
- ・モップが薄くなったり、破れたりしてマジックテープで張り合わせられなくなった場合は、モップがけの効果を保つために速やかに交換してください。

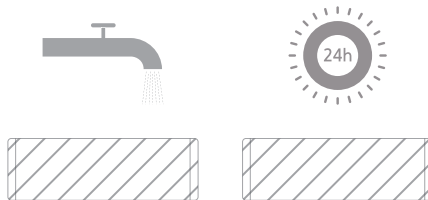
1. ウォータータンクを下にずらして高トルクスマートブラシから外します。



2. ウォータータンクを清掃します。
3. ウォータータンクからモップを外します。



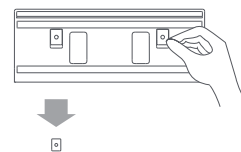
4. モップを洗って乾かします。



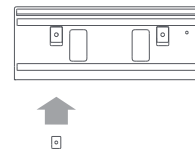
給水カートリッジ

ウォータータンクの給水速度が遅くなった、または詰まってしまった場合は、給水カートリッジを交換してください。
土地の水質や使用頻度によって異なりますが、モップがけの効果を保つために、3-6 カ月に 1 回カートリッジを交換するようお勧めします。

1. 指をへこみに合わせて左右 2 つの古いカートリッジ部品を取り除きます。



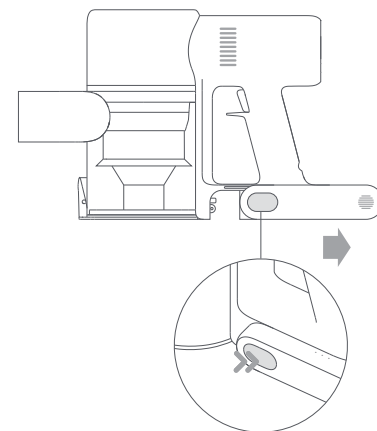
2. 新しいカートリッジ部品を取り付けて、正しく取り付けられているかを確認します。



電池パック

本製品の充電リチウム電池パックは取り外し可能な消耗品です。正しく充電しても使用時間が極端に短くなった場合は、電池が寿命を迎えたことを示します。

1. 電池パック取り外しボタンを押して、後ろにスライドさせて電池パックを取り外します。
2. 新しい電池パックを取り付けます。



基本パラメータ

本体			
製品型番	MJSCXCQPT	定格電圧	25.2V ---
充電電圧	30.8V ---	公称容量	3000mAh
定格出力	450W	ダストカップ容量	0.6L (最大)
充電時間	約 4 時間	製品正味重量	4.2kg
製品寸法	1286 × 214 × 256mm		

高トルクスマートブラシ		ミニ電動ブラシ	
型番	G10-01	型番	1C-02
定格出力	40W	定格出力	20W
定格電圧	25.2V ---	定格電圧	25.2V ---

電源アダプタ			
製造元	中山市宝利金電子有限公司	平均有効電力	87.5%
型番	BLJ24W308080P-V	低負荷時の電力 (10%)	77.9%
入力	100-240V-50/60Hz 0.8A	無負荷時消費電力	0.10W
出力	30.8V --- 0.8A 24.6W		

充電式リチウム電池パック			
電池品番	P2046-7S1P-BC/P2046-7S1P-BCA	公称容量	3000 mAh
公称電圧	25.2V ---	定格容量	2800mAh
電力量	70.56Wh		

本機には充電式リチウム電池パックが含まれているため、本機の廃棄は環境に影響を与えます。本機を廃棄する前に、電池を取り出して専門の回収機関に処理を依頼してください。








よくある質問

よくある故障	考えられる原因	対処方法
クリーナーが動作しない	製品の電池切れまたは電池残量不足	製品をフル充電してから使用してください
	詰まって過熱したため、自動保護機能が作動	冷却後再起動してください
	吸込口や吸気経路の詰まり	吸込口や吸気経路を清掃してください
吸引力が弱い	ダストカップが満杯、フィルターにゴミが詰まっている	ダストカップのゴミを捨て、フィルターを洗浄してください
	高トルクスマートブラシ、延長管などの付属品の詰まり	高トルクスマートブラシや延長管などの付属品に詰まっている異物を取り除いてください
モーターから異音がる	主吸込口か延長管の詰まり	主吸込口や延長管の異物を取り除いてください
起動すると、番目のステータスランプが赤く点灯する	電池パックの故障	アフターサービスに連絡して修理を依頼してください
充電時に、番目のステータスランプが赤く速く点滅する	電源アダプタの不適合	純正の電源アダプタを使用してください

よくある故障	考えられる原因	対処方法
充電時に、電池状態のステータスランプが点灯しない	本体と電源アダプタ差込口の接触不良	電源アダプタがしっかりと差し込まれているか確認してください
	フル充電されたため、電池が休眠状態に入っている	正常に使用可能です
	これら二つの原因の可能性を排除しても、問題が解決されない場合は、アフターサービスに連絡して修理を依頼してください。	
充電が遅い	電池の温度が高すぎるまたは低すぎる	電池温度が正常に戻るのを待ってから充電してください
ウォータータンクから給水されない、または給水が遅い	給水カートリッジの詰まり	給水カートリッジを清掃または交換してください
	モップが汚れている	モップを洗うか、必要に応じて指定のモップに交換してください

トラブルシューティング

クリーナーが正常に動作できない場合は、ディスプレイにエラー情報が表示されます。ディスプレイに表示されたメッセージを確認して、下の表に従ってエラーを解決してください。

記号	意味	対処方法
	ホースつまり	ダストカップ、延長管、高トルクスマートブラシが詰まっていないかを確認してください。
	電池残量低下	速やかに充電してください。
	ローラーブラシが絡まっています	お手入れとメンテナンスの【高トルクスマートブラシの清掃】を参照して、回転ブラシに絡みついた繊維物質や毛髪を取り除いてください。
	電池切れ	速やかに充電してください。
	電池過熱	電池温度が正常になるのを待ってから使用を続けてください。
	症状	アフターサービスに連絡して修理を依頼してください。
	フィルター外れ	内蔵 HEPA フィルター、プレフィルター綿が取り付けられているか確認してください。

주의사항

본 제품은 가정용입니다. 제품 사용 전에 본 설명서를 자세히 읽고 올바르게 보관해 주십시오.

본 제품을 신체, 감각기관 혹은 지적 장애가 있는 사람이나 관련 경험 및 지식이 없는 사람 (어린이 포함) 이 사용할 경우 안전한 사용을 위해서 반드시 보호자의 감독이나 지도 하에 사용해 주십시오.

기기는 기기와 함께 제공된 전원 공급 장치로만 사용할 수 있습니다.

어린이가 제품을 조작하거나 장난감으로 사용하지 않도록 하십시오. 또한 어린이 근처에서 제품을 사용할 때에는 주의해 주시고 어린이가 보호자 없이 제품을 세척하거나 보수하지 않도록 하십시오.

최대한 실내의 건조한 바닥 청소에 사용해 주시고 야외나 욕실 또는 수영장 주위에 본 제품을 설치하거나 충전 및 사용하지 마십시오.

젖은 손으로 전원 코드 또는 제품의 모든 부분을 만지지 마십시오.

발화, 폭발 또는 부상을 방지하기 위해 사용 전에 리튬 배터리 및 전원 어댑터의 손상 여부를 점검하십시오.

리튬 배터리 또는 전원 어댑터가 손상된 경우 청소기를 사용하지 마십시오.

스마트 고토크 브러시, 미니 전동 브러시, 배터리, 연장봉 및 청소기 본체는 모두 전기 부품으로 물에 담그거나 기타 액체를 사용해 세척하지 마십시오. 일상적인 세척 후 모든 필터는 완전히 건조한 후 사용해 주십시오.

스마트 고토크 브러시 및 미니 전동 브러시를 청소할 때에는 사용자가 회전 브러시로 인해 상해를 입지 않도록 본체의 전원을 꺼 주시고, 스마트 고토크 브러시, 먼지통, 그리고 필터가 장착되지 않은 상태에서는 본 제품을 사용하지 마십시오.

모델 번호 BLJ24W308080P-V 인 전원 어댑터 사용해 주십시오.

모델 번호 P2046-7S1P-BC/P2046-7S1P-BCA 인 배터리만 사용해 주십시오.

주의사항

전원 어댑터 또는 리튬 배터리가 손상된 경우 제조업체 또는 A/S 부문에서 전용 부품을 구매하여 교환해 주십시오.

제품을 사용해 물, 휘발유 등과 같은 가연성 또는 폭발성 액체를 흡입하지 마시고 염소 표백제, 암모니아, 하수도 클리너 또는 기타 액체와 같은 독성 용액을 흡입하지 마십시오.

석고 보드 가루, 벽난로의 재를 흡입하지 마시고 숯, 담배꽂초 또는 성냥과 같은 연기가 나거나 연소 물질을 흡입하지 마십시오.

유리, 못, 나사, 동전과 같이 날카롭거나 단단한 물건을 흡입하지 마십시오. 청소기가 손상될 수 있습니다.

제품의 기류 통로와 움직이는 부분에 모발이나 헐렁한 복장, 손가락 및 몸의 다른 부분을 가까이 하지 마시고, 청소기 먼지 흡입구, 연장봉 또는 기타 부속품에 눈, 귀, 또는 입을 대지 마십시오.

흡입구에는 어떠한 물건도 놓지 마십시오. 흡입구가 막힌 상태에서는 청소기를 사용하지 마십시오. 먼지, 먼봉, 머리카락 또는 기타 물건으로 인해 공기 흐름이 약해질 수 있으니 바로 청소해 주십시오.

청소기 손상 또는 사용자의 부상 사고를 방지하기 위해 청소기를 의자, 식탁과 같은 불안정한 표면에 놓지 마시고, 청소기가 넘어지거나 손상되거나 이상이 발생한 경우 임의로 분해하지 마시고 공식 수리점에 문의해 주십시오.

배터리는 설명서 지침을 엄격히 준수하여 충전하십시오. 지정된 온도 범위 내에서 올바르게 충전하지 않으면 배터리가 손상될 수 있습니다.

제공된 충전기를 사용하여 0° C 에서 40° C 사이의 충전 온도에서 충전해 주십시오. 그렇지 않으면 배터리 에 고장이 발생할 수 있습니다.

먼지통 하단 덮개, 전면 필터, 사이클론 시스템 부품 및 내장 HEPA 필터를 바르게 장착한 후 사용해 주십시오.

장기간 미사용, 유지 보수 또는 수리 전에 플러그를 뽑아 주십시오.

제품을 사용하여 계단을 청소할 때는 각별히 주의하십시오.

화재 위험 경고: 본 제품의 필터에는 어떤 향료 제품도 도포하지 마십시오. 해당류 제품의 화학 물질에는 가연성 물질이 포함되어 있어 화재가 발생할 수 있습니다..

배터리를 사용하지 않을 때에는 클립, 동전, 열쇠, 못 또는 나사와 같은 금속 물체와 가까이 두지 마십시오.

배터리 단자가 단락될 경우 화재 또는 연소의 위험이 증가할 수 있습니다.

악조건 상황에서는 배터리에서 액체가 분출될 수 있습니다. 액체와 접촉하지 않도록 주의하십시오. 인체에 자극적이거나 화상의 위험이 있습니다. 액체와 접촉한 경우 흐르는 물에 씻어 주십시오. 액체가 눈에 닿은 경우 의사와 상담하십시오.

배터리 및 기기에 화재가 발생하지 않도록 주의하십시오. 폭발 사고가 발생할 수 있습니다.

배터리 및 제품을 물, 염수 또는 기타 액체에 노출시키거나 담그지 마십시오.

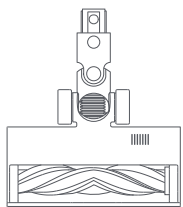
설명서 안내에 따라 본 제품을 사용해 주십시오. 부적절한 사용으로 인한 손실은 본인 이 부담해야 합니다. 자세한 전자 설명서는 www.mi.com/global/service/userguide 에서 확인하십시오.

제품 소개

부품 리스트



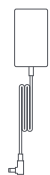
연장봉



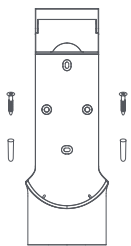
스마트 고토코 브러시



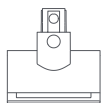
틈새 흡입기



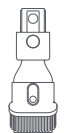
전원 어댑터



충전 및 보관 2-in-1 브라켓
(나사 x2, 양카 x2, 위치 스티커 포함)



미니 전동 브러시



2-in-1 브러시



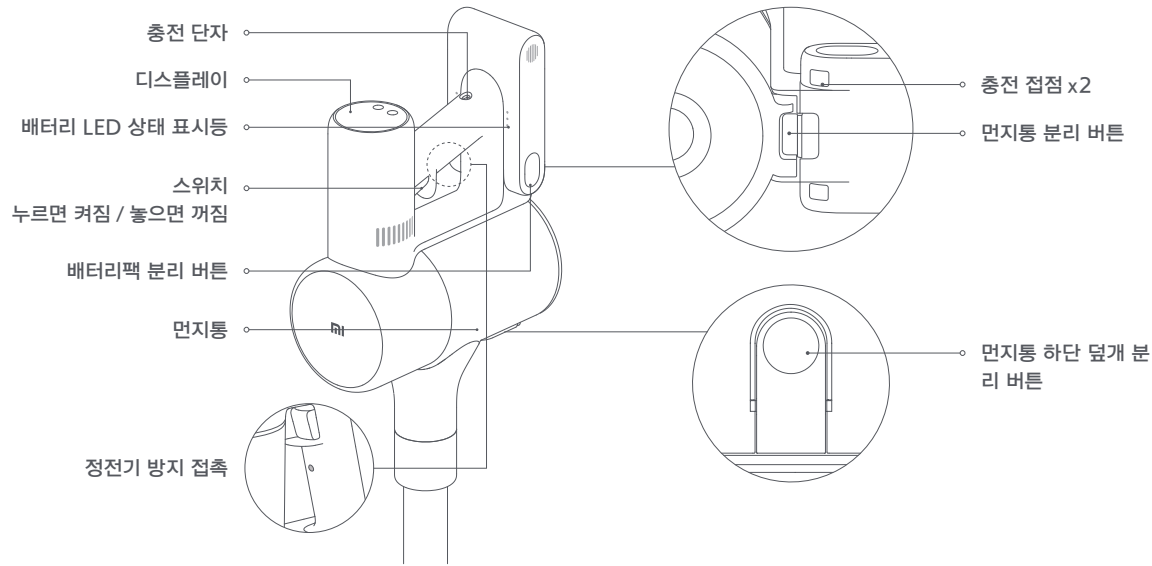
물탱크



물걸레

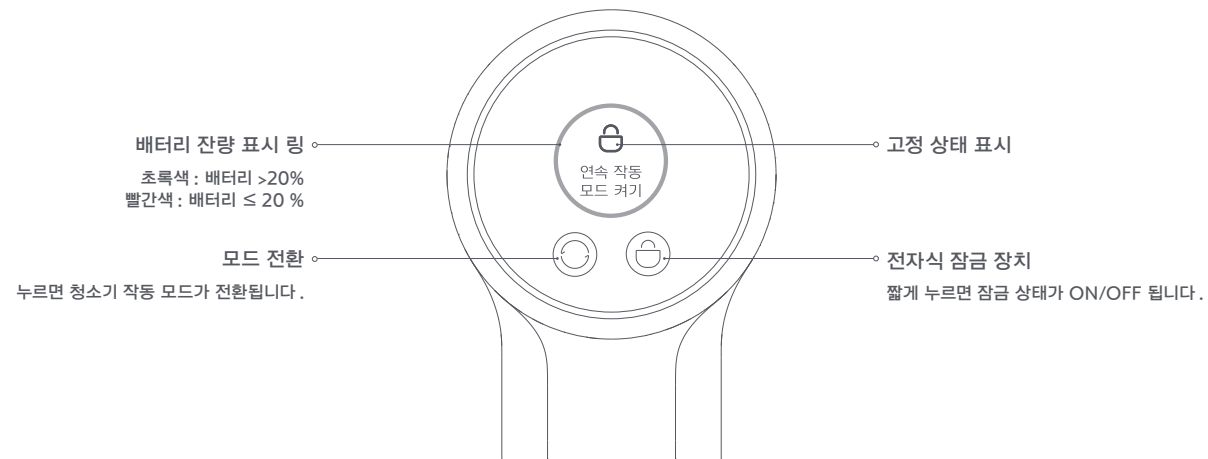
참고 : 설명서상의 제품, 액세서리, 사용자 인터페이스 등의 이미지는 참고용입니다. 제품 업데이트 및 업그레이드로 인해 실제 제품 및 회로도와 약간의 차이가 있을 수 있습니다. 실제 제품을 참조하십시오.

부품 이름



제품 소개

디스플레이

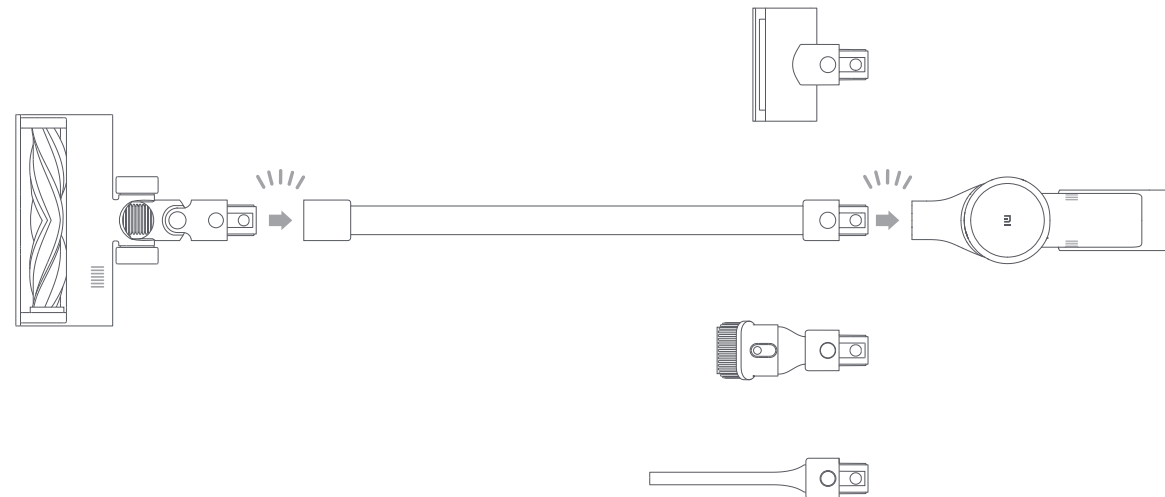


참고 : 청소기가 정상적으로 작동하지 않는 경우 디스플레이에 고장 안내가 표시됩니다. 해결 방법은 [고장 해결] 을 참조해 주십시오.

설치

본체와 부속품 설계도

\\\\\\\\ 딸깍

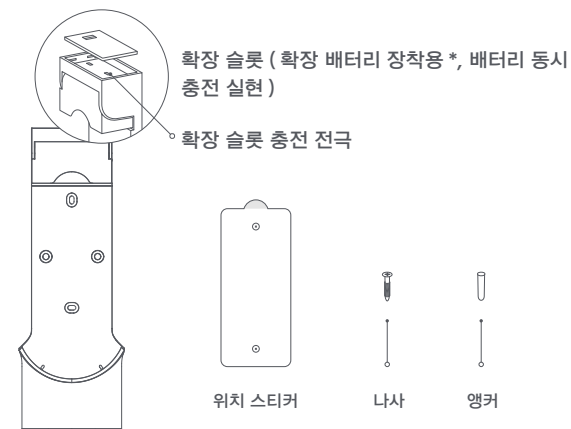


참고 : 미니 전동 브러시는 연장봉과 연결하여 사용하는 것을 권장하지 않습니다.

설치

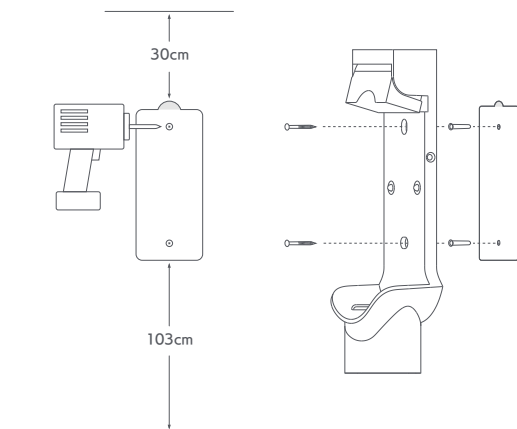
충전 및 보관 2-in-1 브라켓 설치

1. 브라켓 설치 위치는 전원 주변의 서늘하고 건조한 곳을 선택하여 주시고 정면에 케이블이나 도관 등의 시설물이 없는 곳에 설치해 주십시오.
2. 위치 스티커는 벽에 지면과 평행이 되도록 붙여 주시고, 스티커 하단과 지면이 103cm 이상 떨어져 있고 상단 30cm 이내에 방해물이 없는 곳에 붙이는 것을 권장합니다.



* 확장 배터리 별도 구매

3. 8mm 의 드릴을 사용하여 위치 스티커의 홀 상에 구멍을 뚫어 주시고 앵커를 구멍 안에 넣어줍니다.
4. 보관 브라켓의 설치 홀과 스티커 홀을 잘 맞춘 후 나사를 사용해 보관 브라켓을 벽에 고정합니다.



권장 설치 높이: 스티커 하단과 지면 거리 103cm 이상

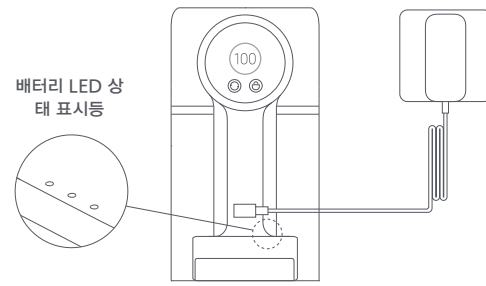
충전

배터리 LED 상태 표시등

- 꺼짐 ☀ 깜박임 ● 켜짐
- ☀ ○ ○ 배터리 부족
- ☀ ○ 배터리 중간
- ● ☀ 잠시 후 충전 완료
- ● ● 충전 완료

충전이 완료되고 5 분 후 표시등이 꺼지면서 절전 모드로 진입

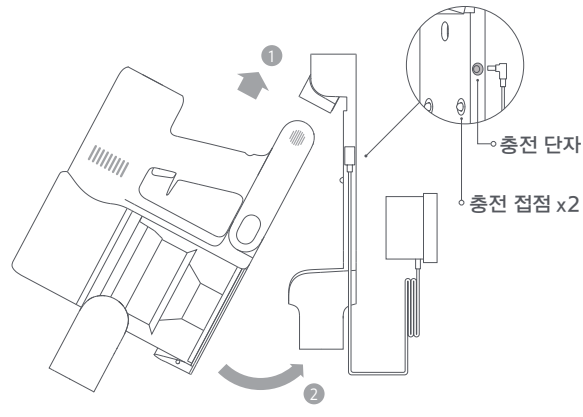
디스플레이
충전 시 디스플레이에 숫자로 배터리 잔량이 표시되며 100 이 표시되면 충전이 완료된 것 입니다.



전원 어댑터 직접 충전

참고 :

- 첫 사용 시 완충한 후 사용해 주시고, 완충까지는 대략 4 시간 정도가 소요됩니다.
- 충전 중에는 청소기를 사용하지 수 없습니다.
- 강력 모드로 연속 사용 경우 배터리의 온도가 높아질 수 있으며, 이때 충전할 경우 충전 시간이 늘어날 수 있습니다. 본체를 30 분간 식힌 후 충전하는 것을 권장합니다.



브라켓 충전

사용

언어 설정

○ 버튼을 3 초간 누르면 언어 리스트로 들어가며 ○ 버튼을 돌려 언어를 선택한 후 다시 ○ 버튼을 2 초간 누르면 해당 언어로 설정됩니다.

참고 : 10 초 이상 조작하지 않는 경우 화면이 꺼집니다.

모드 전환

○ 버튼을 누르면 지속 모드, 표준 모드, 자동 모드, 강력 모드가 순환 전환되며 디스플레이 상에 상응하는 모드의 불이 켜집니다.

자동 모드는 스마트 고토크 브러시를 연결했을 때만 활성화되며, 디스플레이 상에 “자동” 모드의 불이 켜지고, 청소기가 바닥 (타일) 과 카펫 사이에서 자동으로 흡입력을 전환합니다.

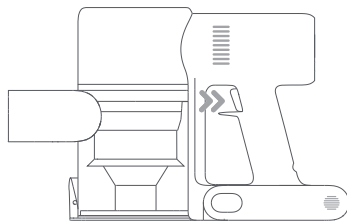
참고 : 선택한 모드로 청소하고 작동을 멈춘 후 다시 작동 시 청소기는 자동으로 지난번 사용한 모드로 작동됩니다.

작동 모드

본 제품은 2 가지 작동 모드가 있으며 청소 용도에 따라 선택하여 사용할 수 있습니다.

1. 비연속 작동 모드

본체의 전원 버튼을 누르고 있으면 작동하고 놓으면 즉시 작동을 멈춥니다.

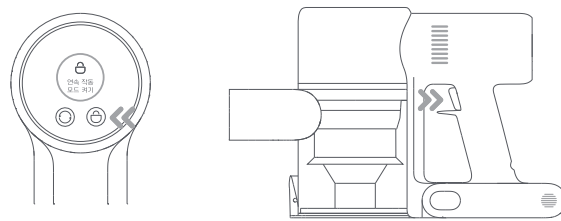


비연속 작동 모드

2. 연속 작동 모드

○ 버튼을 눌러 연속 작동 모드로 전환한 후 전원 버튼을 누르면 청소기가 지속적으로 작동합니다. 연속 작동 모드에서 나가고 싶은 경우 다시 ○ 버튼을 누르면 됩니다.

전자식 잠금 기능을 사용하면 버튼에서 손가락을 놓아도 작동하여 피로한 손가락이 편안해 집니다.



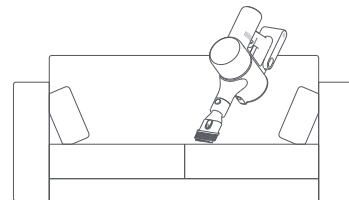
연속 작동 모드

참고 :

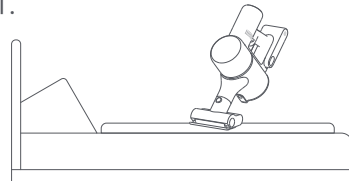
- 해당 모드 작동 상태에서 전원 버튼을 누르면 청소기가 대기 모드가 되며 다시 전원 버튼을 누르면 계속해서 작동됩니다.
- 대기 상태에서 10 초가 지나면 디스플레이가 꺼지고 자동으로 고정 상태가 해제됩니다.

부품의 사용예시

2-in-1 브러시: 커튼, 소파, 차량 내부, 테이블 등의 먼지 청소 시.



미니 전동 브러시: 소파, 침구 등 패브릭 청소 및 동물 털, 깊은 속 먼지 청소 시.



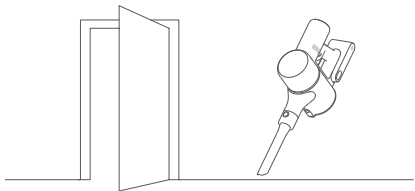
참고 :

- 사이클론 부품에 이물질이 끼인 경우 제품의 전원이 자동으로 꺼질 수 있습니다. 해당 이물질을 모두 제거한 후 계속해서 사용하실 수 있습니다.
- 모터 고온 보호 모드가 작동되면 전원이 자동으로 꺼집니다. 모터 온도가 정상이 될 때까지 기다린 후 계속 사용해 주십시오.

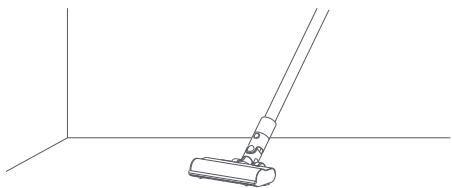
사용

부품의 사용예시

틈새 흡입기: 문틀 및 창틀, 벽 구석, 계단 등 좁은 틈 청소 시.



스마트 고토크 브러시: 바닥, 대리석, 타일, 단모 카펫 등 지면 청소 시 자동 모드 시, 서로 다른 지면 유형에 따라 자동으로 흡입력을 조절합니다.



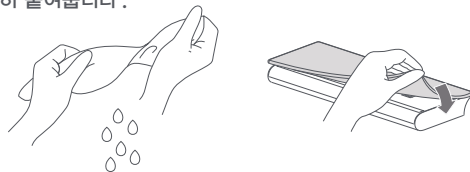
참고: 스마트 고토크 브러시는 본체에 직접 연결해서도 사용할 수 있습니다.

물걸레 기능 사용

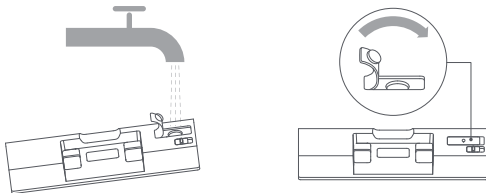
참고:

- 물탱크를 밟지 마십시오. 파손될 수 있습니다.
- 바닥이 비교적 더러운 경우 더 깨끗한 물걸레 청소 효과를 위해 물걸레 청소 전 먼저 바닥에 있는 먼지를 청소해 주십시오.
- 카펫에서 물걸레 기능을 사용하지 마십시오.
- 세정제 및 소독액을 사용하지 마십시오.

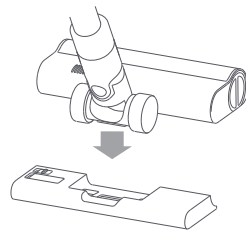
1. 걸레를 적시고 물방울이 떨어지지 않도록 짜준 후 물탱크 하부에 단단히 붙여줍니다.



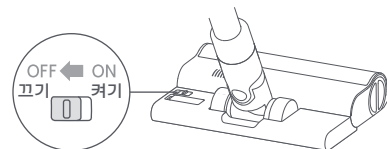
2. 물탱크 마개를 열고 적당량의 깨끗한 물을 천천히 넣은 후 물탱크 마개를 닫아줍니다.



3. 스마트 고토크 브러시 체킹 위치에 물탱크 체킹 위치를 맞춘 후 자석의 흡입력을 이용해 물탱크를 부착시킵니다.



4. 바닥 또는 타일 위의 먼지 흡입 및 물걸레 청소에 적합합니다.



참고:

- 물탱크 안에 있는 붉은 물 조절 밸브로, 이는 움직이는 부품입니다. 작동 및 멈춤 시 구르는 소리는 정상적인 소리입니다.
- 사용하지 않을 시 물통 침수 버튼을 “끄기” 상태로 해주세요.

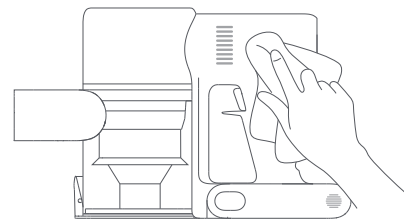
유지 관리 및 유지 보수

제품 유지 보수 주의사항

- 항상 정품 부품을 사용해 주십시오. 비정품을 사용하는 경우 A/S 품질 보증을 받지 못할 수 있습니다.
- 필터, 연장봉, 스마트 고토크 브러시 등이 막히는 경우 청소기가 여러 번 작동과 멈추기를 반복하다가 작동이 중지됩니다. 청소기를 청소한 후 다시 사용해 주십시오.
- 장시간 동안 사용하지 않을 때는 청소기를 완전히 충전하고 전원 어댑터를 분리한 후 서늘하고 건조한 장소에 보관하시고 직사광선이나 습기에 노출되지 않도록 주의해 주십시오. 배터리가 과방전되지 않도록 적어도 3 개월에 한 번 이상 충전해 주십시오.

본체 청소

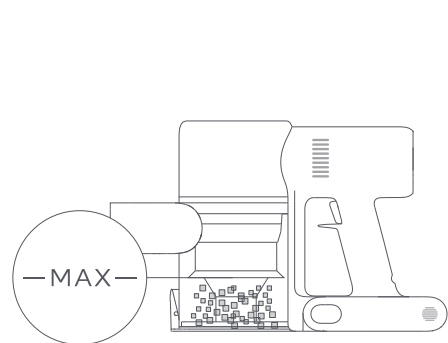
부드럽고 마른 천으로 본체를 닦아 주십시오.



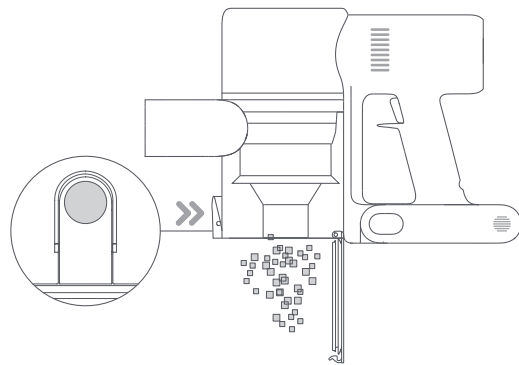
유지 관리 및 유지 보수

먼지통, 전면 필터 및 사이클론 시스템 부품 청소

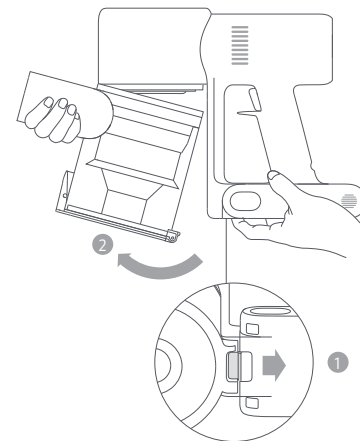
1. 먼지가 "MAX" 표시에 도달한 상태에서 계속 사용하면 진공 효과에 영향을 미칠 수 있습니다. 깨끗이 청소한 후 사용해 주십시오. 먼지통을 청소하기 전 전원 어댑터가 분리되어 있는지 확인해 주시고 실수로 버튼을 만져 청소기가 작동되지 않도록 주의하십시오.



2. 화살표 방향으로 먼지통 하단 덮개 분리 버튼을 누르면 먼지통 하단 덮개가 열리고 먼지통 안에 있는 먼지를 비울 수 있습니다.

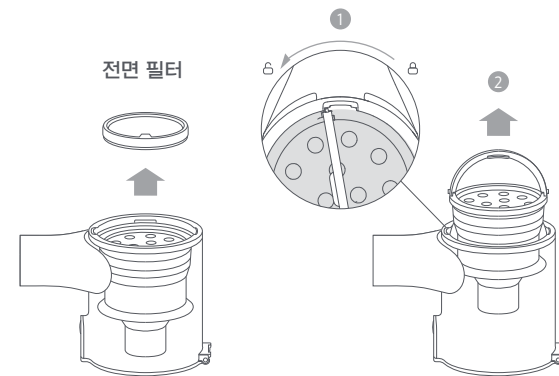


3. 그림①과 같이 화살표 방향으로 먼지통 하단에 있는 먼지통 분리 버튼을 밀면 그림②와 같이 먼지통이 분리됩니다.



먼지통 분리 버튼

4. 먼저 전면 필터를 분리하고 부품 손잡이를 당긴 상태에서 시계 반대방향으로 움직이지 않을 때까지 돌려준 후 사이클론 시스템 부품을 들어 올려 줍니다.



전면 필터

유지 관리 및 유지 보수

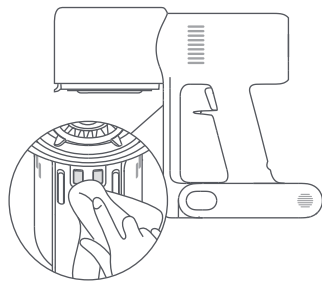
5. 흐르는 깨끗한 물로 전면 필터, 사이클론 시스템 부품, 먼지통을 깨끗하게 씻어줍니다. 깨끗하게 씻은 후 완전히 건조될 수 있도록 햇빛에서 24 시간 이상 말려줍니다.



참고 :

- 먼지통은 1 개월에 한 번 이상 세척하는 것을 권장합니다.
- 전면 필터와 사이클론 시스템 부품은 3~4 개월에 한 번 이상 세척하는 것을 권장합니다.

전도 접촉 부분이 오염된 경우 부드럽고 마른 천으로 닦아 주십시오.

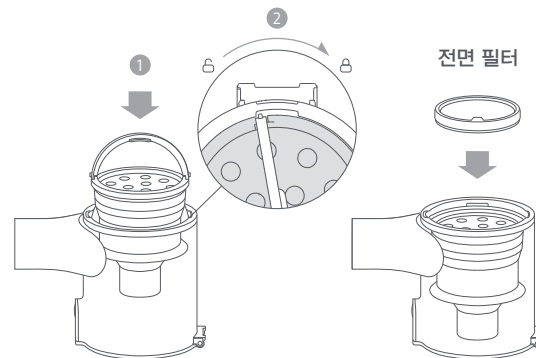


참고 :

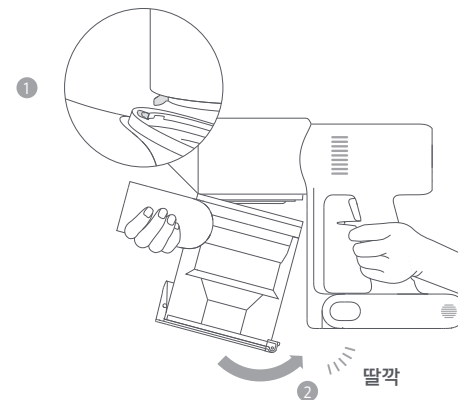
- 세정제, 광택제 또는 공기 정화제를 사용하여 먼지통을 세척하지 마십시오.
- 먼지통, 전면 필터, 사이클론 시스템 부품을 식기 세척기 및 세탁기에 넣어 세척하거나 회전식 건조기, 오븐, 전자레인지 속 또는 불 가까이에서 건조하지 마십시오.

먼지통, 전면 필터 및 사이클론 시스템 부품 장착

1. 사이클론 시스템 부품을 수직으로 먼지통 안에 넣지 마시고 (부품 손잡이와 먼지통 흡 왼쪽이 맞춰지지 않도록 주의) 시계 방향으로 움직이지 않을 때까지 돌린 후 손잡이를 놓아 줍니다.
2. 전면 필터의 정면을 위로하여 사이클론 시스템 부품에 넣어 줍니다.



3. 먼지통을 약간 기울여 본체 흡과 먼지통 흡을 잘 맞추고 화살표 방향으로 먼지통을 "딸깍" 소리가 날 때까지 가볍게 밀어주면 장착됩니다.

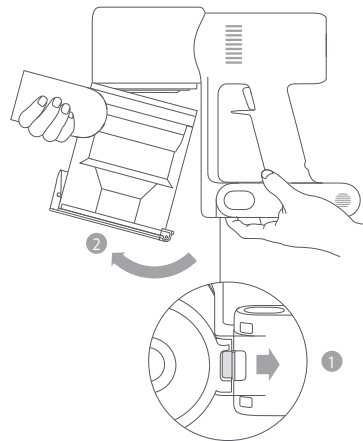


유지 관리 및 유지 보수

내장 HEPA 필터 청소

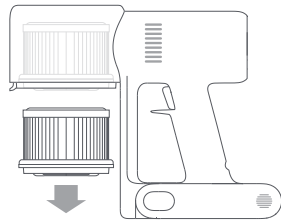
참고 : 4-6 개월에 한 번 세척을 권장합니다.

1. 그림과 같이 먼지통을 분리합니다.



먼지통 분리 버튼

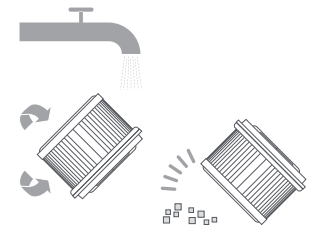
2. 그림과 같은 방향으로 아래로 당겨 내장 HEPA 필터를 본체에서 분리합니다.



3. 흐르는 깨끗한 물에 HEPA 필터를 360° 돌리면서 세척해 HEPA 필터 구멍 안에 낀 먼지를 깨끗하게 씻어 냅니다. 수조에 가볍게 몇 번 털어내 모든 먼지를 제거해 줍니다.

참고 :

- 세제를 넣지 않은 깨끗한 물로 세척하십시오.
- 브러시, 손가락으로 HEPA 필터를 청소하지 마십시오.

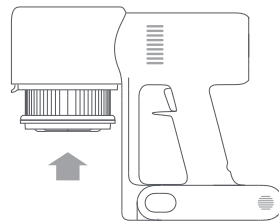


4. 완전히 건조될 수 있도록 햇볕에서 24 시간 이상 말려줍니다.

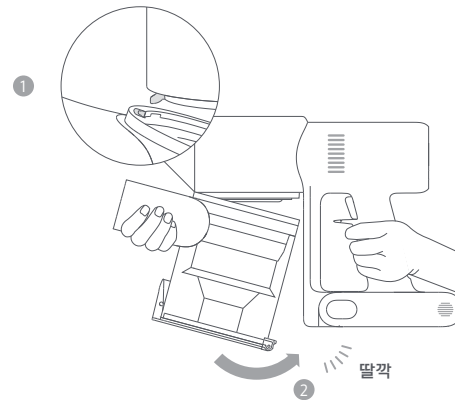


내장 HEPA 필터 장착

1. 그림과 같이 내장 HEPA 필터를 본체에 넣고 가볍게 눌러줍니다.



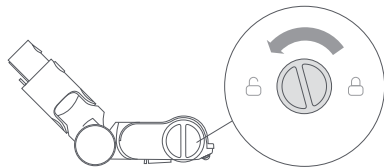
2. 먼지통을 장착합니다.



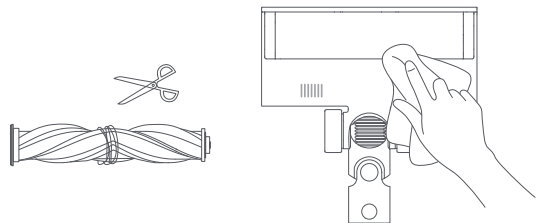
유지 관리 및 유지 보수

스마트 고토크 브러시 청소

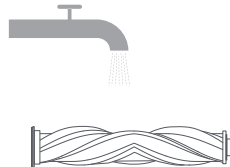
1. 그림과 같이 잠금부를 시계 반대 방향으로 움직이지 않을 때까지 돌려 롤러를 브러시에서 분리합니다.



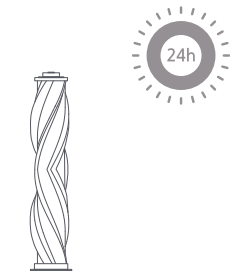
2. 청소 칼로 롤러에 감긴 머리카락 및 섬유 물질을 빼내고 잘라냅니다. 부드러운 천이나 휴지로 흡과 투명판에 있는 먼지를 닦아 줍니다.



3. 장시간 사용하여 롤러가 더러워진 경우 물로 세척할 수 있습니다.

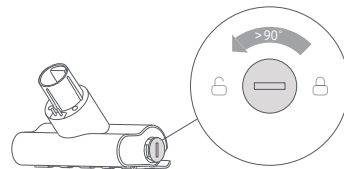


4. 건조 시 롤러를 세로로 세워 완전히 건조될 수 있도록 햇볕에서 24 시간 이상 말려줍니다.

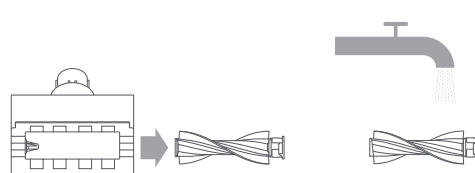


미니 전동 브러시 청소

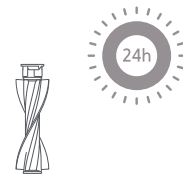
1. 그림과 같이 동전을 사용하여 "딸깍" 소리가 날 때까지 잠금장치를 시계 반대 방향으로 돌려줍니다.



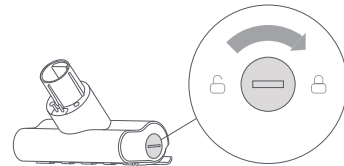
2. 잠금장치가 해제되면 롤러를 미니 전동 브러시에서 분리하여 흐르는 물에 세척합니다.



3. 건조 시 롤러를 세로로 세워 완전히 건조될 수 있도록 햇볕에서 24 시간 이상 말려줍니다.



4. 롤러가 완전히 마른 것을 확인한 후, 분해 순서와 반대 순서로 조립합니다.



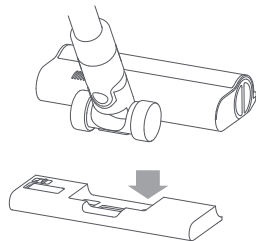
유지 관리 및 유지 보수

물탱크 및 걸레 세척

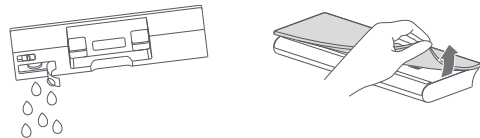
참고 :

- 곰팡이 또는 악취가 나지 않도록 충전 또는 미사용 시 물탱크를 분리하여 즉시 세척하십시오.
- 걸레가 얇아졌거나 훼손되어 벨크로로 부착되지 않는 경우 더 나은 청소 효과를 위해 즉시 교환해 주십시오.

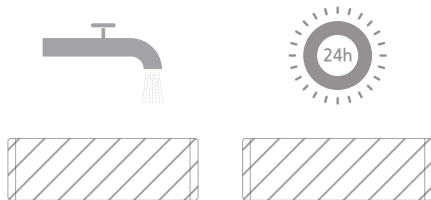
1. 물탱크를 아래로 밀어 스마트 고토크 브러시와 분리합니다.



2. 물탱크를 비워줍니다.
3. 물탱크에서 걸레를 분리합니다.



4. 물걸레를 빨아 햇빛에 말려줍니다.

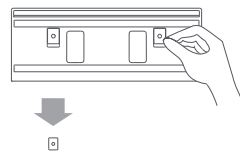


출수 필터

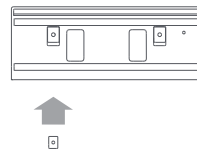
물탱크 출수 속도가 너무 느리거나 막힌 경우 즉시 출수 필터를 교환해 주십시오.

각 지역의 수질 및 사용 빈도를 등의 상황에 따라 물청소 효과를 위해 3~6 개월에 한 번 교환하는 것을 권장합니다.

1. 손가락으로 들어간 홈을 따라 좌우 양쪽의 기존 필터 부품을 분리해 줍니다.



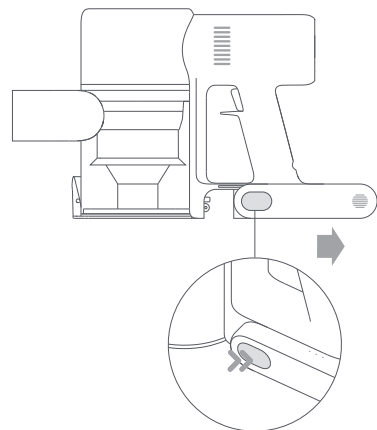
2. 새로운 필터를 넣고 잘 장착해 줍니다.



배터리팩

본 제품의 충전 리튬 배터리팩은 분리 가능하며 쉽게 소모되는 부품입니다. 정확한 충전 후에도 사용 시간이 현저하게 줄어드는 경우 배터리 수명이 다한 것 일 수 있습니다.

1. 배터리 팩 분리 버튼을 누른 상태에서 뒤쪽으로 밀어 배터리팩을 분리합니다.
2. 새로운 배터리팩을 장착합니다.



기본 사양

본체			
제품 모델	MJSCXCQPT	정격 전압	25.2V ---
충전 전압	30.8V ---	규격 용량	3000mAh
정격 출력	450W	먼지통 용량	0.6L(최대)
충전 시간	약 4 시간	제품 순 중량	4.2kg
제품 크기	1286 × 214 × 256mm		

스마트 고토크 브러시		미니 전동 브러시	
모델 번호	G10-01	모델 번호	1C-02
정격 출력	40W	정격 출력	20W
정격 전압	25.2V ---	정격 전압	25.2V ---

전원 어댑터			
제조업체	중산시 보리금 전자 유한공사	평균 유효 효율	87.5%
모델	BLJ24W308080P-V	저부하 시 효율 (10%)	77.9%
입력	100-240V-50/60Hz 0.8A	무부하 전력	0.10W
출력	30.8V --- 0.8A 24.6W		

충전식 리튬 이온 배터리팩			
배터리 모델	P2046-7S1P-BC/P2046-7S1P-BCA	규격 용량	3000mAh
규격 전압	25.2V ---	정격 용량	2800mAh
용량	70.56Wh		

본 기기에는 충전식 리튬 배터리팩이 포함되어 있으며, 이는 폐기 시 환경에 유해합니다. 기기 폐기 전 배터리를 분리하여 전문 회수 업체를 통해 처리해 주십시오.








자주 묻는 질문

자주 보이는 고장	가능한 원인	해결방법
청소기가 작동하지 않습니다.	배터리가 방전 또는 부족한 경우.	제품을 완전히 충전한 후 사용해 주십시오.
	막힘으로 인한 고온으로 자동 보호 기능이 작동한 경우.	온도가 내려간 후 다시 사용해 주십시오.
	흡입구 또는 통로가 막혔습니다.	흡입구 또는 통로를 청소해 주십시오.
제품의 흡입력이 약합니다.	먼지통이 가득 차고 필터에 먼지가 쌓인 경우.	먼지통과 필터를 청소해 주십시오.
	스마트 고토크 브러시, 연장봉 등의 부품이 막혔습니다.	스마트 고토크 브러시, 연장봉 등의 부품에 끼인 물체를 제거해 주십시오.
모터의 소리가 이상합니다.	주 흡입구 또는 연장봉이 막힌 경우.	주 흡입구 또는 연장봉의 이물질 제거해 주십시오.
작동 시 첫 번째 표시등이 빨간색으로 계속 켜져 있습니다.	배터리팩 손상.	A/S 센터에 연락하여 수리를 진행해 주십시오.
충전 시 첫 번째 표시등이 빨간색으로 빠르게 깜빡입니다.	적합하지 않은 어댑터를 사용한 경우.	정품 전원 어댑터를 사용하십시오.

자주 보이는 고장	가능한 원인	해결방법
충전 중 배터리 상태 표시등이 켜지지 않습니다.	본체 및 어댑터 잭이 연결되어 있지 않은 경우.	전원 어댑터가 연결되어 있는지 확인해 주십시오.
	배터리가 완전히 충전되면 배터리는 절전 모드로 전환되며.	정상적으로 사용할 수 있습니다.
	상기 두 상황을 확인한 후에도 여전히 해당 문제가 해결되지 않는 경우 A/S 센터에 연락하여 수리를 진행해 주십시오.	
너무 느리게 충전됩니다.	배터리 온도가 너무 낮거나 너무 높은 경우.	배터리 온도가 정상으로 돌아올 때까지 기다린 후 다시 충전해 주십시오.
물통에서 물이 안나와요 / 너무 느리게 나와요.	출수 필터가 막힌 경우.	출수 필터를 청소하거나 교환해 주십시오.
	걸레가 너무 더러워요.	걸레를 빨아 주시거나 필요한 경우 지정된 걸레로 교환해 주십시오.

고장 해결

청소기가 정상적으로 작동하지 않는 경우 디스플레이 상에 이상 정보가 표시됩니다. 화면의 내용을 확인하여 아래 표를 참조해 이상 상황을 처리할 수 있습니다.

고장 이미지	고장 안내	해결방법
	덕트 막힘	먼지통, 연장봉, 스마트 고토크 브러시가 막혀있지 않은지 확인해 주십시오.
	배터리 부족	최대한 빨리 충전해 주십시오.
	롤러 감김	유지 관리 및 유지보수 [스마트 고토크 브러시 청소] 부분을 참고하여 롤러에 끼인 섬유 물질 및 머리카락을 제거해 주십시오.
	배터리 매우 부족	최대한 빨리 충전해 주십시오.
	배터리 과열	배터리 온도가 정상이 될 때까지 기다린 후 다시 사용해 주십시오.
	고장	A/S 센터에 연락하여 수리를 진행해 주십시오.
	필터 미설치	내장 HEPA 필터, 전면 필터가 잘 장착되어 있는지 확인해 주십시오.

Instrukcje dotyczące bezpieczeństwa

Produkt ten jest przeznaczony wyłącznie do użytku domowego. Przed przystąpieniem do eksploatacji należy dokładnie zapoznać się z niniejszą instrukcją i zachować ją na przyszłość.

To urządzenie może być używane przez dzieci w wieku powyżej 8 lat oraz osoby o ograniczonych zdolnościach ruchowych, postrzegania lub umysłowych lub osoby niemające doświadczenia lub znajomości sprzętu, jeżeli odbywa się to pod nadzorem lub zgodnie z instrukcją użytkownika sprzętu w bezpieczny sposób i ze zrozumieniem występujących zagrożeń. Dzieci nie powinny bawić się urządzeniem. Czyszczenie i konserwacja nie mogą być przeprowadzane przez dzieci bez nadzoru.

Urządzenie należy stosować wyłącznie z zasilaczem zawartym w zestawie.

Odkurzacz nie jest zabawką. Dzieci nie mogą bawić się tym produktem ani go obsługiwać. Prosimy o zachowanie ostrożności podczas korzystania z odkurzacza w pobliżu dzieci. Nie wolno zezwalać dzieciom na czyszczenie lub konserwację odkurzacza, chyba że odbywa się to pod nadzorem rodzica lub opiekuna. Odkurzacza można używać tylko na suchych powierzchniach wewnątrz pomieszczeń. Nie należy montować, ładować ani używać tego produktu na zewnątrz, w łazienkach lub w pobliżu basenu.

Nie należy dotykać wtyczki ani jakiegokolwiek części odkurzacza mokrymi rękoma.

Aby zmniejszyć ryzyko pożaru, wybuchu lub obrażeń ciała, przed użyciem należy upewnić się, że akumulator litowo-jonowy i ładowarka nie są uszkodzone. Nie należy używać odkurzacza, jeśli akumulator lub ładowarka są uszkodzone.

Wysokoobrotowa szczotka z wałkiem smart, miniszczotka elektryczna, akumulator, przedłużenie i odkurzacz przewodzą prąd, dlatego nie wolno zanurzać ich w wodzie lub innym płynie. Po zakończeniu czyszczenia wszystkich części należy upewnić się, że zostały dokładnie osuszone.

Aby zapobiec obrażeniom spowodowanym przez ruchome części, przed przystąpieniem do czyszczenia wysokoobrotowej szczotki z wałkiem smart i miniszczotki elektrycznej należy wyłączyć odkurzacz. Przed użyciem odkurzacza należy prawidłowo zamontować wysokoobrotową szczotkę z wałkiem smart, pojemnik na kurz oraz filtr.

Instrukcje dotyczące bezpieczeństwa

Należy używać wyłącznie oryginalnej ładowarki (model: BLJ24W308080P-V) dostarczanej z tym produktem.

Należy stosować wyłącznie akumulatory zatwierdzonego typu (model P2046-7S1P-BC/P2046-7S1P-BCA).

W przypadku uszkodzenia ładowarki lub akumulatora należy wymienić je na oryginalne części zakupione u producenta lub w serwisie posprzedażnym.

Nie należy używać odkurzacza do zbierania łatwopalnych cieczy, takich jak benzyna, wybielacze, amoniak lub środki czyszczące do kanalizacji, ani innych cieczy, np. wody.

Nie wolno używać odkurzacza do zbierania resztek płyt kartonowo-gipsowych, popiołu (np. popiołu z kominka) ani tłących się lub płonących materiałów, takich jak węgiel, niedopałki papierosów lub zapałki.

Nie należy używać odkurzacza do zbierania ostrych lub twardych przedmiotów, takich jak szkło, gwoździe, śruby lub monety. Mogą one uszkodzić produkt.

Włosy, luźne elementy odzieży, palce i inne części ciała należy trzymać z dala od otworów i ruchomych elementów odkurzacza. Nie należy kierować otworu ssącego, przedłużenia lub innych akcesoriów w stronę oczu lub uszu ani wkładać ich do ust.

Nie należy wkładać żadnych przedmiotów do otworów odkurzacza ani używać odkurzacza z zatkanym otworem. Chronić przed kurzem, włóknami, włosami i innymi przedmiotami, które mogą ograniczać przepływ powietrza.

Nie opierać odkurzacza o krzesło, stół lub inne niestabilne powierzchnie, ponieważ może to spowodować uszkodzenie produktu lub obrażenia ciała. Jeśli odkurzacz nie działa prawidłowo po przewróceniu lub uszkodzeniu, należy skontaktować się z autoryzowanym serwisem. Nigdy nie należy podejmować samodzielnych prób rozebrania odkurzacza.

Należy ściśle przestrzegać wszystkich poleceń dotyczących ładowania produktu zawartych w instrukcji obsługi. Ładowanie odkurzacza w sposób nieprawidłowy i poza wskazanym zakresem temperatur może spowodować uszkodzenie akumulatora.

Do ładowania produktu w środowisku o temperaturze otoczenia od 0°C do 40°C należy używać wyłącznie oryginalnej ładowarki. W przeciwnym razie może dojść do uszkodzenia akumulatora.

Przed użyciem odkurzacza należy prawidłowo zamontować pokrywę pojemnika na kurz, filtr wstępny, zespół cyklonowy oraz filtr HEPA.

Należy upewnić się, że odkurzacz jest odłączony od zasilania, gdy nie jest używany przez dłuższy czas, a także przed wykonaniem jakiegokolwiek konserwacji lub naprawy.

Należy zachować szczególną ostrożność podczas używania odkurzacza do sprzątania schodów.

Ostrzeżenie o zagrożeniu pożarowym: nie stosować w filtrze odkurzacza żadnych substancji zapachowych. Tego typu produkty zawierają łatwopalne substancje chemiczne, które mogą spowodować zapalenie się odkurzacza.

Gdy akumulator nie jest używany, należy trzymać go z dala od wszelkich metalowych przedmiotów, takich jak spinacze, monety, klucze, gwoździe lub śruby. Zwarcie biegunów akumulatora zwiększa ryzyko pożaru lub oparzeń.

W nieodpowiednich warunkach ciecz może wydostać się z akumulatora. Unikać kontaktu z cieczą, ponieważ może ona spowodować podrażnienia lub oparzenia. W razie kontaktu należy przepłukać odpowiednie miejsca wodą. W przypadku kontaktu cieczy z oczami należy dodatkowo skonsultować się z lekarzem.

NIE wystawiać akumulatora i urządzenia na działanie ognia, ponieważ może to spowodować wybuch.

NIE zanurzać akumulatora ani urządzenia w słodkiej ani słonej wodzie lub innych płynach oraz nie narażać ich na działanie takich płynów.

Produktu należy używać zgodnie z instrukcjami zawartymi w instrukcji obsługi. Użytkownicy ponoszą odpowiedzialność za wszelkie straty lub szkody wynikające z niewłaściwego użytkowania tego produktu.

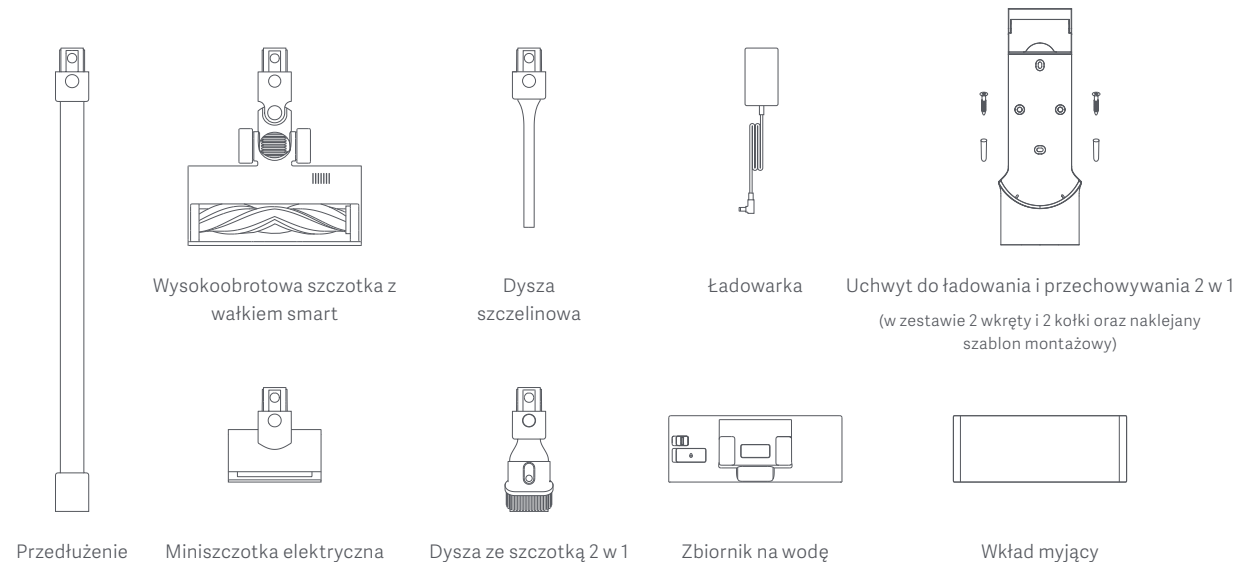
Niniejszym firma Dreame (Tianjin) Information Technology Co., Ltd. deklaruje zgodność produktu z wymogami odpowiednich dyrektyw oraz norm europejskich wraz ze zmianami. Pełny tekst deklaracji zgodności UE jest dostępny na następującej stronie internetowej:

<http://www.mi.com/global/service/support/declaration.html>

Szczegółową elektroniczną instrukcję obsługi można znaleźć na stronie www.mi.com/global/service/userguide

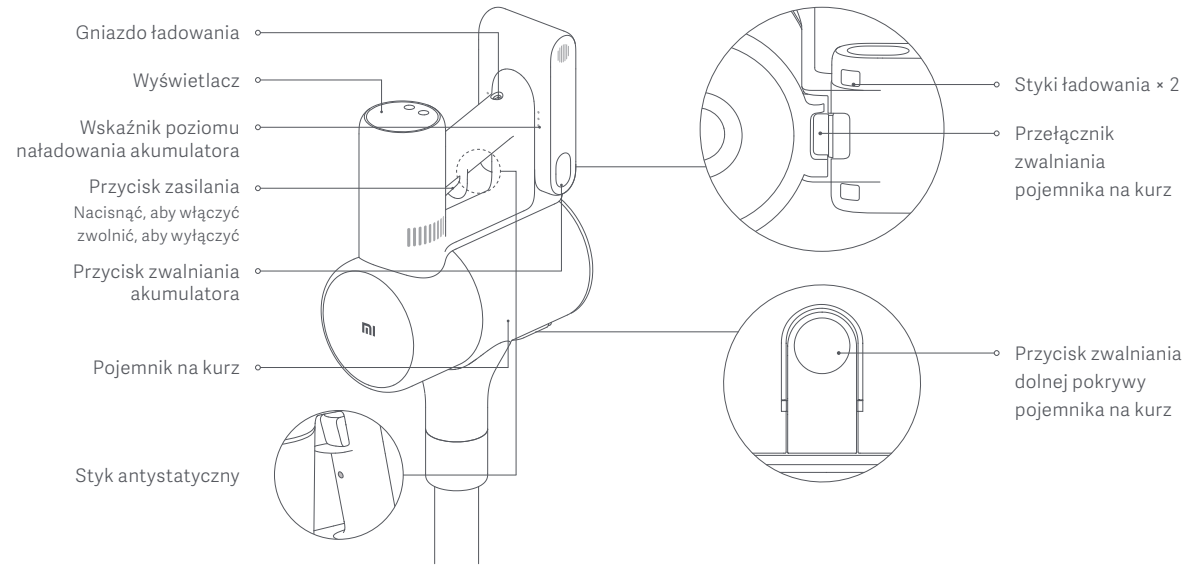
Przegląd produktu

Wykaz akcesoriów



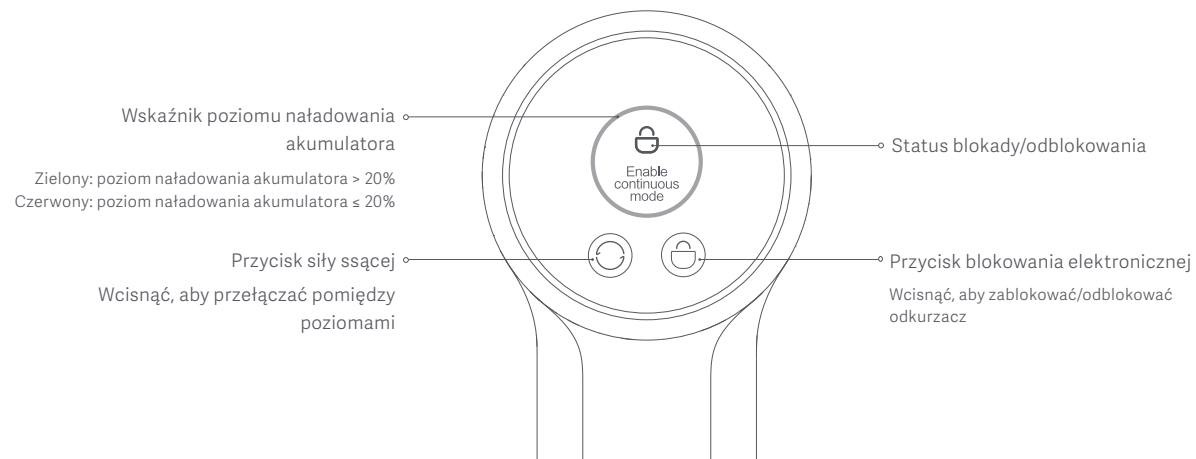
Uwaga: Ilustracje produktu, akcesoriów i interfejsu użytkownika w tej instrukcji obsługi są załączone jedynie jako materiał pomocniczy. Rzeczywisty produkt i jego funkcje mogą się różnić ze względu na wprowadzane ulepszenia.

Nazwa elementu



Przegląd produktu

Wyświetlacz

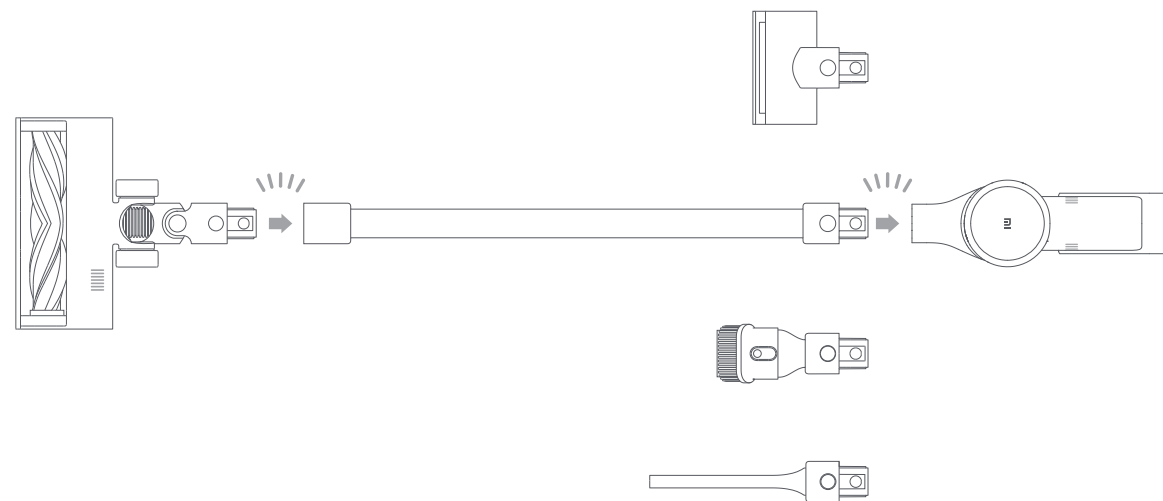


Uwaga: jeśli odkurzacza nie będzie działał prawidłowo, na wyświetlaczu pojawi się komunikat o błędzie. Aby znaleźć rozwiązanie, należy zapoznać się z rozdziałem „Rozwiązywanie problemów”.

Montaż

Montaż akcesoriów na odkurzaczu

Włożyć tak, aby było słyszalne kliknięcie



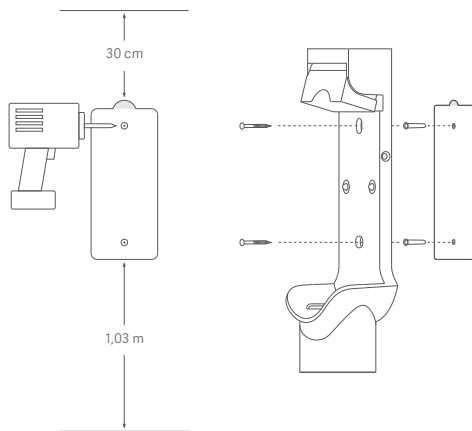
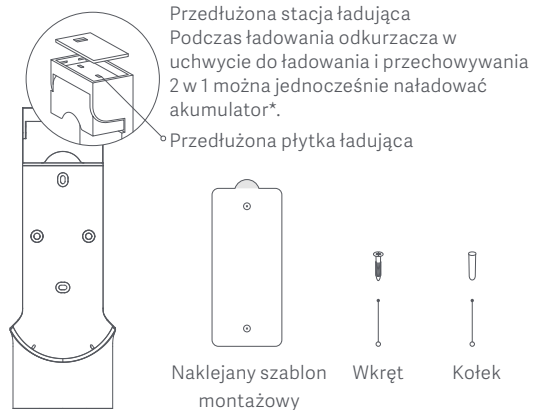
Uwaga: Miniszczotka elektryczna nie powinna być używana z przedłużeniem.

Montaż

Montaż uchwyty do ładowania i przechowywania 2 w 1

1. Uchwyt do ładowania i przechowywania 2 w 1 powinien być zamontowany w chłodnym, suchym miejscu, w pobliżu gniazdka elektrycznego. Przed montażem należy upewnić się, że bezpośrednio za miejscem, w którym zostanie zamontowany uchwyt, nie zostały poprowadzone żadne rury ani przewody.
2. Dolna krawędź naklejonego szablonu montażowego powinna być umieszczona poziomo i oddalona od podłoża co najmniej 1,03 m, a nad jego górną częścią powinno być co najmniej 30 cm przestrzeni.

3. Użyć wiertarki z wiertłem 8 mm, aby wywiercić otwór w każdym miejscu oznaczonym na szablonie montażowym, a następnie włożyć kołek rozporowy do każdego otworu.
4. Dopasować otwory montażowe w uchwycie do ładowania i przechowywania 2 w 1 do otworów w ścianie, a następnie przymocować uchwyt do ściany za pomocą dołączonych wkrętów.



Zalecana wysokość: co najmniej 1,03 m od podłoża

Ładowanie

Wskaźnik poziomu naładowania akumulatora

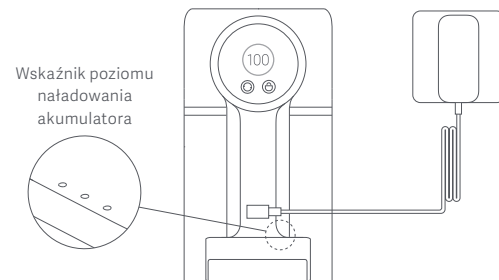
○ Wył. ☀ Miganie ● Wł.

- ☀ ○ ○ Niski poziom naładowania
- ☀ ○ Pełne naładowanie
- ● ☀ Akumulator naładowany w połowie
- ● ● Akumulator niemal naładowany

Po całkowitym naładowaniu odkurzacza wskaźnik wyłączy się po 5 minutach, a odkurzacze przejdzie w tryb oszczędzania energii.

Wyświetlacz

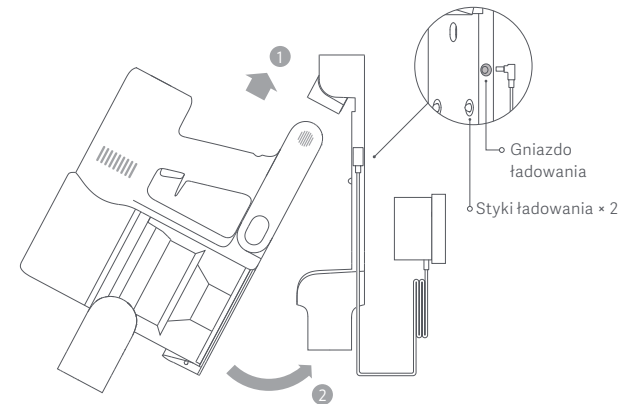
Podczas ładowania wartość na wyświetlaczu przedstawia bieżący poziom naładowania baterii wyrażony w procentach. Gdy wartość ta osiągnie 100, będzie to oznaczać, że akumulator jest w pełni naładowany.



Ładowanie odkurzacza za pomocą ładowarki

Uwagi:




- Przed pierwszym użyciem odkurzacza należy go w pełni naładować. Zajmie to około 4 godzin.
- Odkurzacze nie może być używany podczas ładowania.
- Odkurzanie przez dłuższy czas przy najwyższym poziomie siły ssącej spowoduje nagrzanie się akumulatora, co może wydłużyć czas jego ładowania. Przed naładowaniem odkurzacza najlepiej schładzać go przez 30 minut.



Ładowanie odkurzacza w uchwycie do ładowania

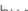
Użytkowanie

Ustawianie języka

Nacisnąć i przytrzymać przycisk  przez 3 sekundy, aby otworzyć listę języków, a następnie nacisnąć przycisk , aby ją przewinąć i wybrać żądany język. Nacisnąć i przytrzymać przycisk  przez 2 sekundy, aby użyć wybranego języka.

Uwaga: wyświetlacz wyłączy się, jeśli przez ponad 10 sekund nie zostanie wykonana żadna czynność.

Przełączanie poziomów siły ssącej

Nacisnąć przycisk , aby przełączać pomiędzy trzema poziomami siły ssącej: eko, standardowym/automatycznym i dużą mocą. Odpowiedni poziom zostanie podświetlony na wyświetlaczu.

Tryb automatyczny zostanie aktywowany tylko w przypadku korzystania z inteligentnej szczotki o dużym momencie obrotowym, a na ekranie wyświetlacza pojawi się komunikat „Auto”. Następnie odkurzacz automatycznie przełącza poziom ssania pomiędzy trybem czyszczenia podłogi/płytek a wykładziny.

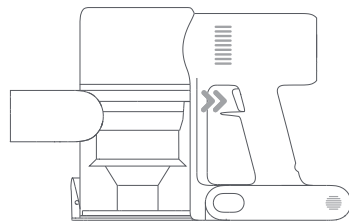
Uwaga: Po wyłączeniu i ponownym włączeniu odkurzacz będzie nadal używał ostatnio wybranego poziomu siły ssącej.

Tryby pracy

Odkurzacz ma dwa tryby pracy, które można wybierać w zależności od potrzeb związanych ze sprzątaniem.



1. Tryb impulsowy

Przytrzymać przycisk zasilania, aby uruchomić odkurzacz, a następnie zwolnić go, aby przerwać pracę.

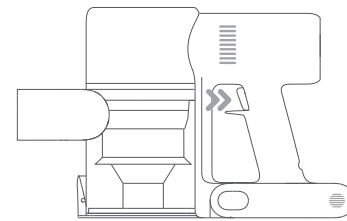


Tryb impulsowy

2. Tryb ciągły

W trybie czuwania odkurzacza nacisnąć przycisk , aby włączyć tryb ciągły, a następnie nacisnąć przycisk zasilania, aby włączyć odkurzacz. Aby wyjść z trybu ciągłego, nacisnąć przycisk .

Włączenie trybu ciągłego pozwala na ciągłą pracę odkurzacza bez konieczności przytrzymywania przycisku zasilania, co zapewnia swobodę palców.



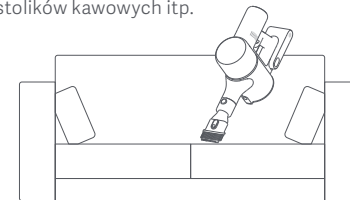
Tryb ciągły

Uwagi:

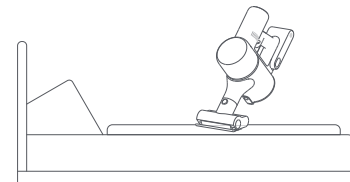
- Po naciśnięciu przycisku zasilania w trybie ciągłym odkurzacz przejdzie w tryb czuwania, a po ponownym naciśnięciu przycisku wznowi pracę.
- Gdy odkurzacz pozostanie w trybie czuwania przez ponad 10 sekund, wyświetlacz wyłączy się, a następnie odkurzacz wyjdzie z trybu ciągłego.

Używanie różnych akcesoriów

Dysza ze szczotką 2 w 1: do odkurzania zasłon, sof, wnętrz pojazdów, stolików kawowych itp.



Miniszczotka elektryczna: Do odkurzania zabrudzeń, sierści zwierząt domowych i innych uporczywych zanieczyszczeń z sof, podłogi i innych powierzchni tkaninowych.



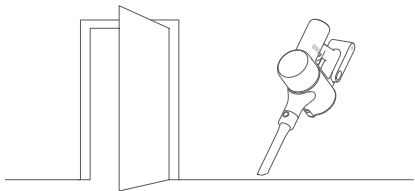
Uwagi:

- Jeśli jakakolwiek obracająca się część ulegnie zablokowaniu, odkurzacz może się automatycznie wyłączyć. Usunąć wszelkie zaklinowane ciała obce, a następnie wznowić użytkowanie.
- Gdy silnik ulegnie przegrzaniu, odkurzacz wyłączy się automatycznie. Należy odczekać, aż temperatura akumulatora powróci do normy, a następnie wznowić pracę.

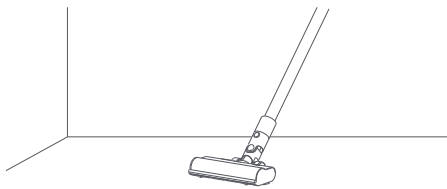
Użytkowanie

Używanie różnych akcesoriów

Dysza szczelinowa: do odkurzania wąskich szczelin i obszarów wokół drzwi, okien, listew przypodłogowych, narożników, schodów, itp.



Wysokoobrotowa szczotka z wałkiem smart: do czyszczenia podłóg drewnianych, marmurowych, płytek i krótkowłosych dywanów. W trybie automatycznym odkurzacz może automatycznie regulować poziom siły ssącej w zależności od rodzaju powierzchni.



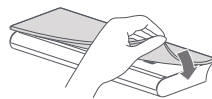
Uwaga: Wysokoobrotową szczotkę z wałkiem smart można przymocować bezpośrednio do odkurzacza.

Korzystanie z funkcji mycia

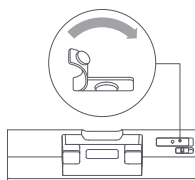
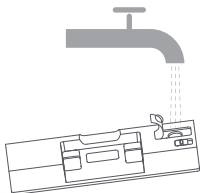
Uwagi:

- Nie stawiać na zbiorniku na wodę, ponieważ może to spowodować jego trwałe uszkodzenie.
- Silnie zabrudzone podłogi należy odkurzyć przed myciem, aby uzyskać lepszy efekt.
- Nie używać funkcji mycia na dywanach.
- Nie używać żadnych środków czyszczących ani dezynfekujących.

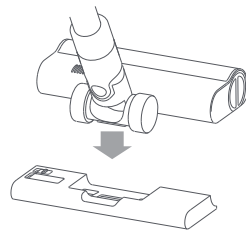
1. Zwilżyć wkład myjący i wycisnąć nadmiar wody, a następnie przymocować go solidnie do spodu zbiornika na wodę.



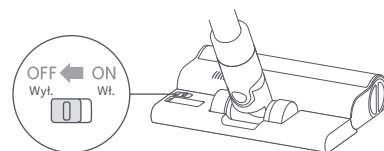
2. Otworzyć korek zbiornika na wodę, dodać odpowiednią ilość czystej wody i zamknąć korek.



3. Przymocować wysokoobrotową szczotkę z wałkiem smart do zbiornika na wodę, dopasowując magnesy na każdym elemencie aż do ich zatrzaśnięcia.



4. Funkcja ta służy do odkurzania i mycia podłóg z twardego drewna i płytek ceramicznych.



Uwagi:

- Zawór kulowy w zbiorniku na wodę kontroluje ilość dozowanej wody. Kula zaworu jest częścią ruchomą i może wydawać odgłosy toczenia podczas włączania i wyłączania. Jest to normalne zjawisko.
- Gdy odkurzacz nie jest używany, należy ustawiać przełącznik w pozycji OFF (wyl.).

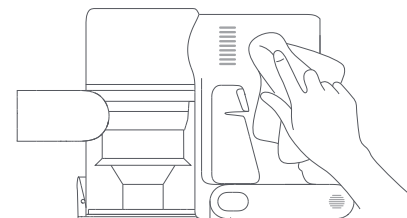
Pielęgnacja i konserwacja

Wskazówki dotyczące konserwacji

- Zawsze używaj oryginalnych części, aby uniknąć unieważnienia gwarancji.
- Jeśli filtr, przedłużenie lub wysokoobrotowa szczotka z wałkiem smart zatkają się, odkurzacz wkrótce przestanie działać. Przed wznowieniem jego pracy należy wyczyścić zatkany element.
- Jeśli odkurzacz nie będzie używany przez dłuższy czas, należy naładować go do pełna i odłączyć od zasilania, a następnie przechowywać w chłodnym miejscu o niskiej wilgotności, z dala od bezpośredniego światła słonecznego. Aby uniknąć nadmiernego rozładowania akumulatora, należy ładować odkurzacz co najmniej raz na trzy miesiące.

Czyszczenie odkurzacza

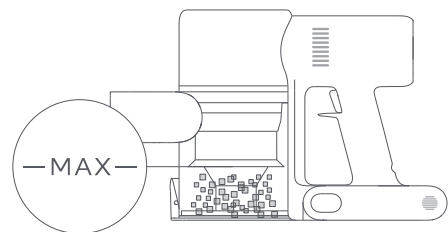
Przetrzeć odkurzacz czystą, suchą ściereczką.



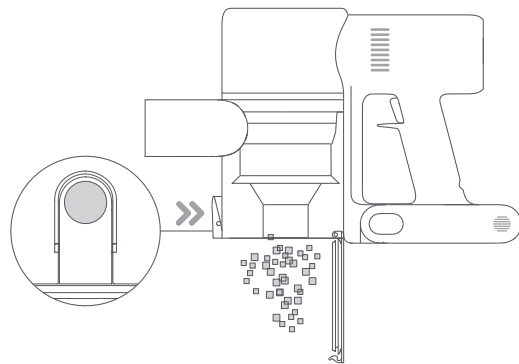
Pielęgnacja i konserwacja

czyszczenie pojemnika na kurz, filtra wstępnego i zespołu cyklonowego

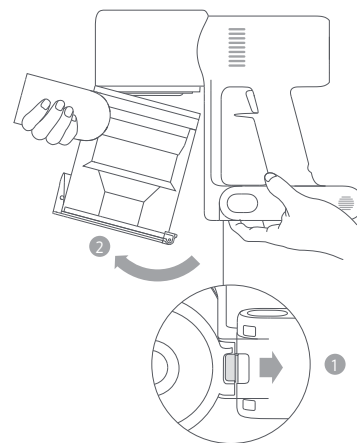
1. Wydajność odkurzacza spadnie, gdy pojemnik na kurz zostanie wypełniony do znacznika „MAX”. Aby przywrócić jego wydajność, należy opróżnić pojemnik na kurz w odpowiednim czasie. Przed opróżnieniem pojemnika należy upewnić się, że odkurzacz jest odłączony od zasilania. Nie wciskać przycisku zasilania odkurzacza.



2. Nacisnąć przełącznik zwalniania dolnej pokrywy pojemnika na kurz, a następnie opróżnić zawartość zbiornika.

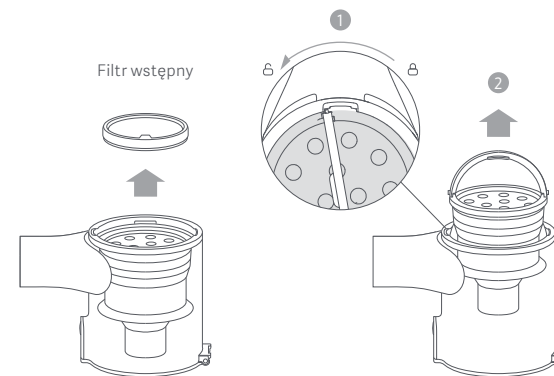


3. Nacisnąć przełącznik zwalniania dolnej pokrywy pojemnika na kurz w kierunku wskazanym przez strzałkę, a następnie delikatnie wyjąć pojemnik z odkurzacza.



Przełącznik zwalniania pojemnika na kurz

4. Wyjąć filtr wstępny, a następnie unieść uchwyt zespołu cyklonowego, obrócić go do oporu w kierunku przeciwnym do ruchu wskazówek zegara i pociągnąć, aby go wyjąć.



Filtr wstępny

Pielęgnacja i konserwacja

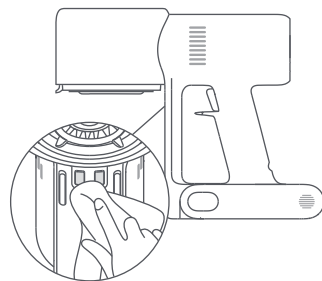
5. Spłukiwać filtr wstępny, zespół cyklonowy i pojemnik na kurz wodą do momentu, aż będą czyste, a następnie odłożyć wszystkie elementy na bok i pozostawić do dokładnego wyschnięcia na co najmniej 24 godziny.



Uwagi:

- Pojemnik na kurz należy płukać co najmniej raz w miesiącu.
- Filtr wstępny i zespół cyklonowy należy czyścić raz na 3–4 miesiące.

Jeśli punkty stykowe odkurzacza są zabrudzone, należy przetrzeć je miękką, suchą ściereczką.



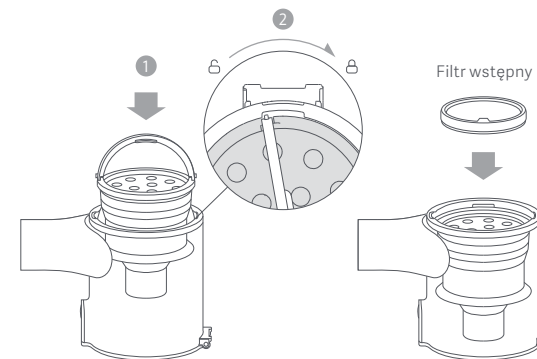
Uwagi:

- Do czyszczenia pojemnika na kurz nie należy używać detergentów, środków polejujących ani odświeżaczy powietrza.
- Nie czyścić pojemnika na kurz, filtra wstępnego ani zespołu cyklonowego w zmywarce lub pralce i nie próbować suszyć żadnego z tych elementów w suszarce bębnowej, piekarniku, mikrofalówce lub w pobliżu otwartego ognia.

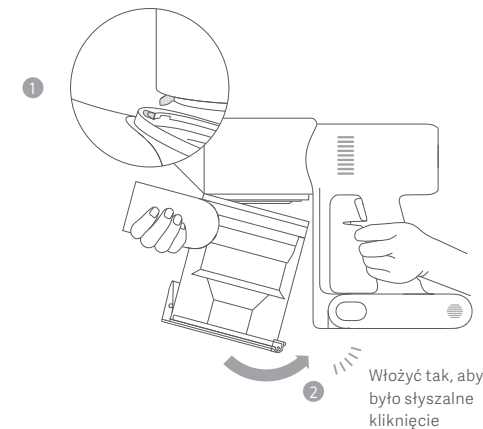
Montaż pojemnika na kurz, filtra wstępnego i zespołu cyklonowego

1. Włożyć zespół cyklonowy pionowo do pojemnika na kurz i upewnić się, że uchwyt zespołu cyklonowego znajduje się w jednej linii z otworem z lewej strony pojemnika. Przekręcić uchwyt zgodnie z ruchem wskazówek zegara do momentu jego zablokowania, a następnie opuścić.

2. Umieścić filtr wstępny w zespole cyklonowym przednią stroną skierowaną do góry.



3. Lekko przechylić pojemnik na kurz tak, aby jego szczelina zrównała się z zatrzaskiem na odkurzaczu. Następnie delikatnie wcisnąć pojemnik na kurz do momentu jego zatrzasknięcia w prawidłowym położeniu.

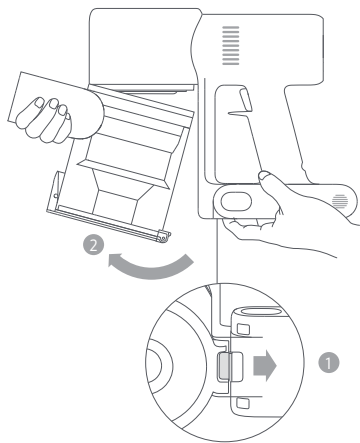


Pielęgnacja i konserwacja

Czyszczenie filtra HEPA

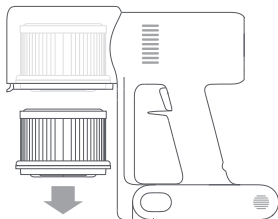
Uwaga: zaleca się czyszczenie filtra HEPA co 4–6 miesięcy.

1. Zdjąć pojemnik na kurz, jak pokazano na rysunku.



Przełącznik zwalniania pojemnika na kurz

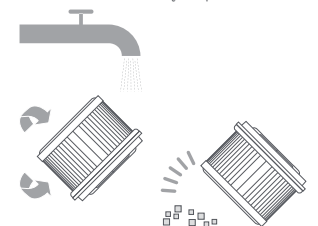
2. Wyjąć filtr HEPA z odkurzacza, pociągając go w dół, jak pokazano na rysunku.



3. Wyczyścić filtr HEPA czystą wodą. Obracać filtr HEPA o 360°, aby dokładnie usunąć z niego cały kurz. Aby usunąć nadmiar zanieczyszczeń, należy kilkakrotnie lekko postukać w filtr.

Uwagi:

- Do czyszczenia filtra należy używać wyłącznie czystej wody. Nie stosować detergentów.
- Nie należy czyścić filtra HEPA szczotką ani palcem.

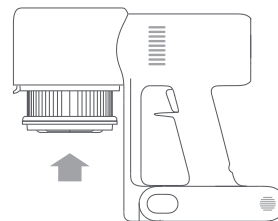


4. Pozostawić filtr HEPA do całkowitego wyschnięcia na co najmniej 24 godziny.

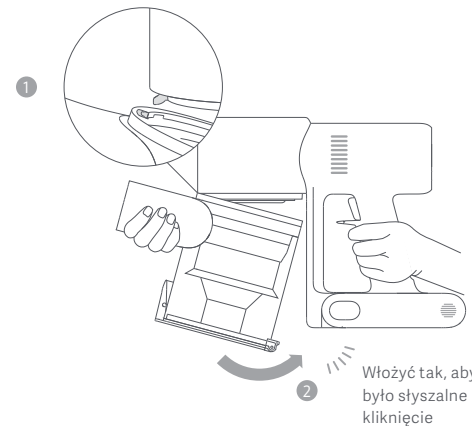


Montaż filtra HEPA

1. Włożyć filtr HEPA do odkurzacza i delikatnie wcisnąć, jak pokazano na rysunku.



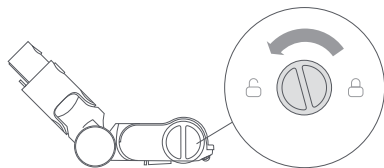
2. Ponownie zamontować pojemnik na kurz.



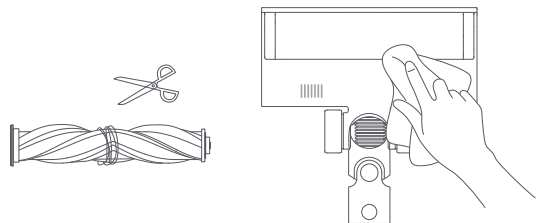
Pielęgnacja i konserwacja

Czyszczenie wysokoobrotowej szczotki z wałkiem smart

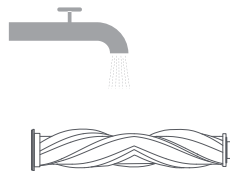
1. Obrócić blokadę w kierunku przeciwnym do ruchu wskazówek zegara aż do jej zatrzymania, a następnie wyjąć wałek czyszczący z wysokoobrotowej szczotki z wałkiem.



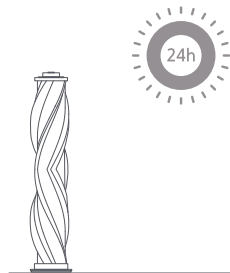
2. Użyć nożyczek, aby odciąć i wyjąć włosy lub inne zanieczyszczenia zaplątane wokół wałka czyszczącego. Zetrzeć nadmiar kurzu z otworu i przezroczystej plastikowej pokrywy za pomocą suchej szmatki lub ręcznika papierowego.



3. Po dłuższym użytkowaniu wałek czyszczący może być zabrudzony. Należy go umyć.

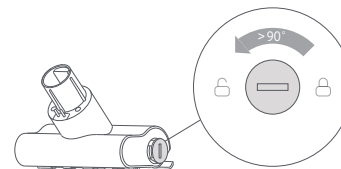


4. Po umyciu pozostawić wałek czyszczący do całkowitego wyschnięcia (w pozycji pionowej i w dobrze wentylowanym miejscu) na co najmniej 24 godziny.

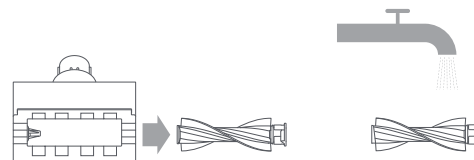


Czyszczenie miniszczotki elektrycznej

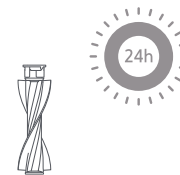
1. Użyć monety, aby obrócić blokadę w kierunku przeciwnym do ruchu wskazówek zegara, aż do momentu usłyszenia kliknięcia.



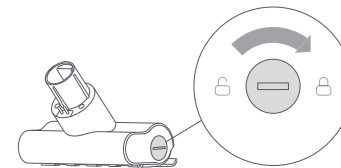
2. Po odblokowaniu wałka czyszczącego należy wyjąć go z miniszczotki elektrycznej, a następnie opłukać i wyczyścić.



3. Po umyciu pozostawić wałek czyszczący do całkowitego wyschnięcia (w pozycji pionowej i w dobrze wentylowanym miejscu) na co najmniej 24 godziny.



4. Po wyschnięciu wałka czyszczącego należy go ponownie zamontować, wykonując czynności prowadzące do demontażu w odwrotnej kolejności.



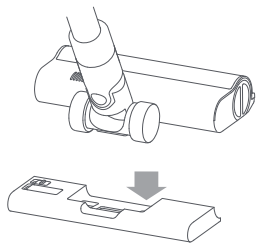
Pielęgnacja i konserwacja

Czyszczenie zbiornika na wodę i wkładu myjącego

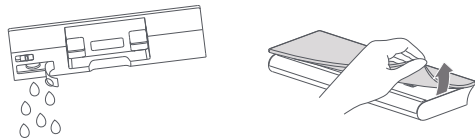
Uwagi:

- Na czas ładowania odkurzacza lub gdy nie jest on używany należy zdemontować zbiornik na wodę i usunąć z niego pozostałość wody, aby zapobiec powstawaniu pleśni lub nieprzyjemnego zapachu.
- Zużyty lub uszkodzony wkład myjący, który nie przykleja się już do zbiornika na wodę, należy wymienić, aby zapewnić optymalną skuteczność czyszczenia.

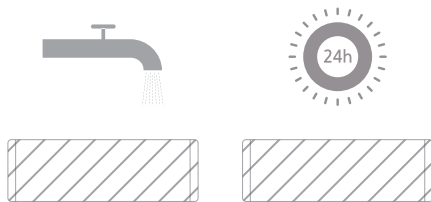
1. Zsunąć zbiornik na wodę, aby odłączyć go od wysokoobrotowej szczotki z wałkiem smart.



2. Opróżnić zbiornik na wodę.
3. Zdemontować wkład myjący ze zbiornika na wodę.



4. Wyczyścić i osuszyć wkład myjący.

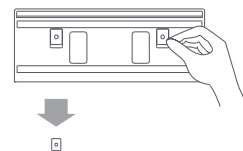


Filtr dozownika wody

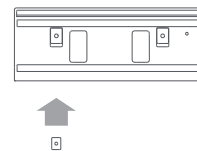
Filtr dozownika wody należy wymienić, jeżeli zbiornik dozuje wodę zbyt wolno lub zatyka się.

Aby zapewnić optymalną skuteczność mycia, zaleca się wymianę filtrów dozownika wody co 3–6 miesięcy, w zależności od jakości wody i częstotliwości użytkowania.

1. Użyć palców, aby wysunąć stare filtry dozownika wody z lewej i prawej strony każdego z otworów.



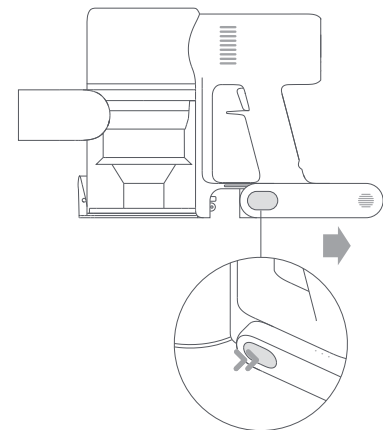
2. Włożyć nowe filtry dozownika wody i sprawdzić, czy są prawidłowo zainstalowane.



Akumulator

W odkurzaczu znajduje się wyjmowany akumulator litowo-jonowy. Liczba cykli jego ładowania jest ograniczona. Po długim okresie użytkowania akumulator może przestać się ładować. Jeśli tak się stanie, oznacza to, że akumulator uległ zużyciu i należy go wymienić.

1. Nacisnąć przycisk zwalniania akumulatora i przesunąć akumulator w prawo, jak pokazano na rysunku, aby go wyjąć.
2. Zamontować nowy akumulator.



Dane techniczne

Odkurzacz			
Model	MJSCXCQPT	Napięcie znamionowe	25,2 V ===
Napięcie ładowania	30,8 V ===	Pojemność znamionowa	3000 mAh
Moc znamionowa	450 W	Pojemność pojemnika na kurz	Maks. 0,6 l
Czas ładowania	Ok. 4 godzin	Masa netto	4,2 kg
Wymiary elementu	1286 × 214 × 256 mm		

Wysokoobrotowa szczotka z wałkiem smart		Miniszczotka elektryczna	
Model	G10-01	Model	1C-02
Moc znamionowa	40 W	Moc znamionowa	20 W
Napięcie znamionowe	25,2 V ===	Napięcie znamionowe	25,2 V ===

Ładowarka			
Producent	Zhongshan Baolijin Electronic Co., Ltd.	Średnia sprawność podczas pracy	87,5%
Model	BLJ24W308080P-V	Sprawność przy niskim obciążeniu (10%)	77,9%
Wejście	100–240 V~ 50/60 Hz 0,8 A	Pobór energii bez obciążenia	0,10 W
Wyjście	30,8 V === 0,8 A 24,6 W		

Akumulator litowo-jonowy			
Model akumulatora	P2046-7S1P-BC/P2046-7S1P-BCA	Pojemność nominalna	3000 mAh
Napięcie nominalne	25,2 V ===	Pojemność znamionowa	2800 mAh
Napięcie	70,56 Wh		

Akumulator litowo-jonowy zawiera substancje niebezpieczne dla środowiska. Przed utylizacją odkurzacza należy najpierw wyjąć akumulator, a następnie zutylizować go lub poddać recyklingowi zgodnie z lokalnymi przepisami i regulacjami prawnymi kraju lub regionu, w którym jest używany.

Informacje dotyczące europejskiej dyrektywy WEEE



Wszystkie produkty oznaczone tym symbolem są uznane za odpady sprzętu elektrycznego i elektronicznego (WEEE zgodnie z Dyrektywą 2012/19/UE) i nie mogą być wyrzucane po zakończeniu okresu użytkowania wraz z innymi odpadami. W celu ochrony zdrowia ludzi oraz środowiska naturalnego należy przekazać zużyty sprzęt do wyznaczonego punktu utylizacji wyznaczonego przez instytucje rządowe lub lokalne. Prawidłowe usunięcie zużytego produktu pomaga w zapobieganiu potencjalnym negatywnym skutkom oddziaływania na środowisko naturalne i zdrowie ludzi. Więcej informacji można uzyskać w urzędzie lokalnym lub od instalatora.








Pytania i odpowiedzi

Błąd	Prawdopodobna przyczyna	Rozwiązanie
Odkurzacz nie działa.	Akumulator jest rozładowany lub nie jest dostatecznie naładowany.	Całkowicie naładuj odkurzacz, a następnie wznów użytkowanie.
	Urządzenie weszło w tryb ochrony przed przegrzaniem wywołany przez zator.	Należy odczekać, aż odkurzacz ostygnie, a następnie włączyć go ponownie.
	Otwór ssący lub przewód powietrzny jest zatkany.	Usunąć wszelkie zatory w otworze ssącym lub przewodzie powietrznym.
Siła ssania zmniejszy się.	Pojemnik na kurz jest pełny i/lub filtr jest zapchany.	Opróżnić pojemnik na kurz i wyczyścić filtr.
	Wysokoobrotowa szczotka z wałkiem smart i/lub przedłużenie są zatkane.	Usunąć wszelkie zatory z wysokoobrotowej szczotki z wałkiem smart i/lub przedłużenia.
Silnik wydaje dziwne odgłosy.	Nastąpiło zatkanie głównego otworu ssącego lub przedłużenia.	Usunąć wszelkie zatory z otworu ssącego lub przedłużenia.
Po włączeniu odkurzacza pierwszy wskaźnik jest czerwony.	Akumulator jest uszkodzony.	Prosimy o kontakt z działem obsługi posprzedażnej w celu zaplanowania naprawy.
Podczas ładowania odkurzacza pierwszy wskaźnik miga na czerwono.	Ładowarka jest niekompatybilna.	Do ładowania odkurzacza należy używać wyłącznie oryginalnej ładowarki.

Błąd	Prawdopodobna przyczyna	Rozwiązanie
Wskaźnik poziomu naładowania nie świeci się podczas ładowania.	Ładowarka nie jest podłączona do odkurzacza.	Należy sprawdzić, czy ładowarka jest podłączona prawidłowo.
	Akumulator jest w pełni naładowany i przełączył się w tryb uśpienia.	Odkurzacza można normalnie używać.
	Jeśli problem nadal się utrzymuje po wykluczeniu dwóch powyższych możliwych przyczyn, prosimy o kontakt z działem obsługi posprzedażnej w celu uzyskania pomocy.	
Akumulator ładuje się powoli.	Temperatura akumulatora jest zbyt niska lub zbyt wysoka.	Poczekaj, aż temperatura akumulatora powróci do normy, a następnie wznów użytkowanie.
Zbiornik na wodę nie dozuje wody lub dozuje wodę powoli.	Filtr dozownika wody jest zatkany.	Wyczyścić lub wymienić filtr dozownika.
	Wkład myjący jest brudny.	Wyczyścić lub wymienić wkład myjący.

Rozwiązywanie problemów

Jeśli odkurzacz nie działa prawidłowo, na wyświetlaczu pojawi się komunikat o błędzie. Prosimy o zapoznanie się z poniższą tabelą rozwiązywania problemów, aby znaleźć rozwiązanie na podstawie komunikatu o błędzie.

Ikona błędu	Komunikat o błędzie	Rozwiązanie
	Zatkany przewód powietrzny	Usunąć wszelkie zatory z pojemnika na kurz, przedłużenia i/lub wysokoobrotowej szczotki z wałkiem smart .
	Niski poziom naładowania	Naładować urządzenie w najbliższym czasie.
	Szczotka z wałkiem jest zablokowana	Należy zapoznać się z punktem „Czyszczenie wysokoobrotowej szczotki z wałkiem smart” w rozdziale „Pielęgnacja i konserwacja”, aby uzyskać wskazówki dotyczące usuwania włosów i innych zanieczyszczeń ze szczotki z wałkiem.
	Akumulator rozładowany	Naładować urządzenie w najbliższym czasie.
	Akumulator przegrzany	Przed wznowieniem użytkowania odczekać, aż temperatura akumulatora wróci do normy.
	Błąd	Prosimy o kontakt z działem obsługi posprzedażnej w celu zaplanowania naprawy.
	Filtr niezainstalowany	Upewnić się, że filtr HEPA i filtr wstępny są prawidłowo zainstalowane.

تعليمات السلامة

هذا المنتج للاستخدام المنزلي فقط. اقرأ هذا الدليل بعناية قبل الاستخدام واحتفظ به للرجوع إليه مستقبلاً.

يمكن استخدام هذا الجهاز من قبل الأطفال بعمر 8 سنوات فأكثر، والأشخاص ذوي الإعاقة البدنية، أو الحسية، أو الذهنية أو الذين ليس لديهم الخبرة أو المعرفة إذا كان ذلك تحت رقابة أو تعليمات فيما يتعلق باستخدام الجهاز بطريقة آمنة وفهم المخاطر التي ينطوي عليها، ولا يتعين على الأطفال اللعب بالجهاز. ينبغي ألا يعث الأطفال بالجهاز. ينبغي ألا يباشر الأطفال عملية التنظيف أو الصيانة بدون إشراف عليهم.

هذا الجهاز مصمم للاستخدام فقط مع وحدة مزود الطاقة المتوفرة مع الجهاز.

لا تتعامل مع المكينة الكهربائية باعتبارها لعبة. يجب ألا يلعب الأطفال بها أو يشغلونها. يُرجى توخي الحذر عند استخدام المكينة الكهربائية بجانب الأطفال. لا تسمح للأطفال بتنظيف المكينة الكهربائية أو صيانتها إلا بإشراف أحد الوالدين أو الوصي.

استخدم المكينة الكهربائية على الأسطح الداخلية الجافة فقط. لا تقم بتثبيت هذا المنتج أو شحنه أو استخدامه في الخارج مثل الحمامات أو بجانب حمام السباحة.

لا تلمس القابس أو أي جزء من المكينة الكهربائية بأيدي مبللة.

لتقليل خطر نشوب حريق أو انفجار أو إصابة شخصية، افحصها للتأكد من أن بطارية ليثيوم أيون والشاحن غير تالفين قبل الاستخدام. لا تستخدم المكينة الكهربائية في حالة تلف البطارية أو الشاحن.

شريط الفرشاة ذو عزم الدوران العالي الذكي، والفرشاة الكهربائية الصغيرة، والبطارية، وذراع التمديد، والمكينة الكهربائية موصلين بالكهرباء ويجب عدم غمرهم في الماء أو أي سائل آخر. تأكد من أن جميع الأجزاء جافة تمامًا بعد تنظيفها.

لمنع الإصابة الناتجة عن تحريك الأجزاء، قم بإيقاف تشغيل المكينة الكهربائية قبل تنظيف شريط الفرشاة ذي عزم الدوران العالي الذكي والفرشاة الكهربائية الصغيرة. يجب تثبيت شريط الفرشاة ذي عزم الدوران العالي الذكي، وحجرة الغبار والفلتر بشكل صحيح قبل استخدام المكينة الكهربائية.

استخدم الشاحن الأصلي فقط (طراز: BLJ24W308080P-V) المرفق مع هذا المنتج.

استخدم نوع البطارية المعتمد فقط (طراز P2046-7S1P-BC/P2046-7S1P-BCA).

إذا تلف الشاحن أو البطارية، يجب استبدالهما بمكون أصلي تم شراؤه من الشركة المصنعة أو قسم خدمة ما بعد البيع.

تعليمات السلامة

تحذير خطر نشوب حريق: لا تضع أي نوع من العطر على فلتر المكنسة الكهربائية. من المعروف أن هذه الأنواع من المنتجات تحتوي على مواد كيميائية قابلة للاشتعال قد تتسبب في نشوب حريق في المكنسة الكهربائية.

عندما تكون البطارية غير مستخدمة، احتفظ بها بعيدًا عن جميع الأشياء المعدنية، مثل مشابك الورق أو العملات المعدنية أو المفاتيح أو المسامير أو البراغي. يزيد تقصير أطراف البطارية معًا من خطر نشوب حريق أو خطر الإصابة بحروق.

في ظل الظروف القاسية، يمكن أن يخرج سائل من البطارية. تجنب ملامسة السائل، حيث قد يسبب تهيج أو حروق. في حالة ملامسته، اشطفه جيدًا بالماء. إذا لامس السائل العينين، اطلب المساعدة الطبية.

لا تعرض البطارية والجهاز إلى مصدر لهب حيث قد يسبب انفجار.

لا تعرض البطارية والجهاز أو تغمرهما في أي ماء أو ماء مالح أو سوائل أخرى.

يرجى استخدام هذا المنتج وفقًا للتعليمات الموجودة في دليل المستخدم. يتحمل المستخدمون مسؤولية أي خسارة أو ضرر ناتج عن الاستخدام غير الصحيح لهذا المنتج.

للحصول على دليل إلكتروني مفصل، يُرجى الانتقال إلى www.mi.com/global/service/userguide

لا تستخدم المكنسة الكهربائية لالتقاط السوائل القابلة للاشتعال أو سريعة الاشتعال، مثل البنزين أو مزيل البقع أو الأمونيا أو منظفات الأحواض أو أي سوائل أخرى مثل المياه.

لا تستخدم المكنسة الكهربائية لالتقاط جزيئات حائط الجبس، أو الرماد مثل رماد الموقد أو التدخين أو المواد المحترقة مثل الفحم أو أعقاب السجائر أو أعواد الكبريت.

لا تستخدم المكنسة الكهربائية لالتقاط أشياء حادة أو صلبة، مثل الزجاج أو المسامير أو البراغي أو العملات المعدنية التي قد تتسبب في تلف المنتج.

أبقِ الشعر والملابس الفضفاضة والأصابع وجميع أجزاء الجسم الأخرى بعيدًا عن فتحات المكنسة الكهربائية والأجزاء المتحركة. لا توجه فتحة الشفط أو ذراع التمديد أو أي ملحقات أخرى نحو عينيك أو أذنيك أو تضعها في فمك.

لا تضع أي شيء في فتحات المكنسة الكهربائية، ولا تستخدم المكنسة الكهربائية عندما تكون أي فتحة مسدودة. حافظ عليها خالية من الغبار أو الوبر أو الشعر أو أي مواد أخرى قد تقلل من تدفق الهواء.

لا تضع المكنسة الكهربائية على كرسي أو طاولة أو أي سطح آخر غير مستقر، لأن ذلك قد يتسبب في تلف الجهاز أو الإصابة الشخصية. إذا تعطلت المكنسة الكهربائية بسبب السقوط أو التلف، يُرجى الاتصال بقسم الخدمة المعتمد. لا تحاول أبدًا فك المكنسة الكهربائية بنفسك.

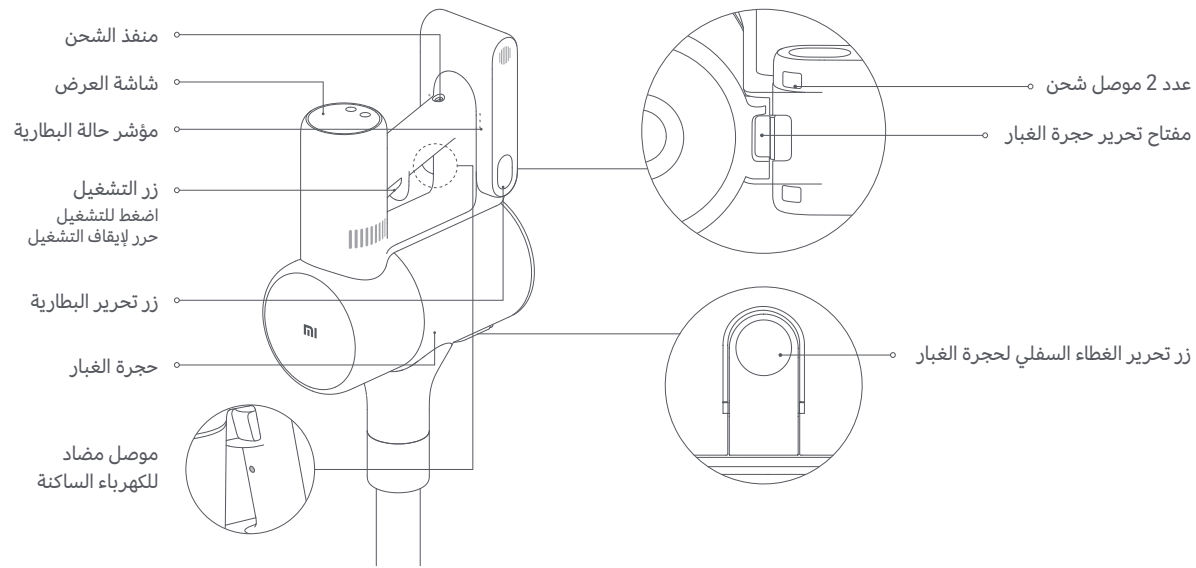
يجب اتباع جميع التعليمات في دليل المستخدم الخاصة بإعادة شحن المنتج بشكل صارم. قد يؤدي تعذر شحن المكنسة الكهربائية بشكل صحيح في نطاق درجة الحرارة المحدد إلى تلف البطارية.

استخدم الشاحن الأصلي فقط لشحن المنتج في البيئات التي تكون درجة حرارتها المحيطة من 0 درجة مئوية حتى 40 درجة مئوية. إلا، فقد تتلف البطارية.

يجب تثبيت كل من غطاء حجرة الغبار والفلتر الأولي ومجموعة الفرازة المخروطية وفلتر تنقية جسيمات الهواء (HEPA) بكفاءة عالية بشكل صحيح قبل استخدام المكنسة الكهربائية.

تأكد من عدم توصيل المكنسة الكهربائية بالكهرباء عند عدم استخدامها لفترات طويلة وكذلك قبل إجراء أي صيانة أو إصلاحات.

يُرجى توخي الحذر عند استخدام المكنسة الكهربائية في تنظيف السلالم.



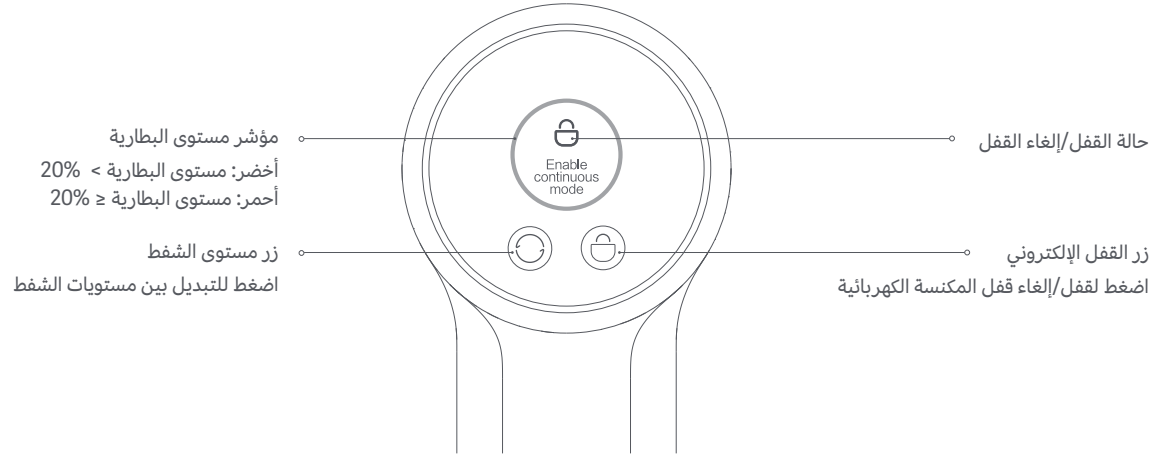
قائمة الملحقات



ملاحظة: إن الرسوم التوضيحية للمنتج والملحقات وواجهة المستخدم الموجودة في دليل المستخدم هي لأغراض مرجعية فقط. قد يختلف المنتج والوظائف الفعلية بسبب تحسينات المنتج.

نظرة عامة حول المنتج

شاشة العرض

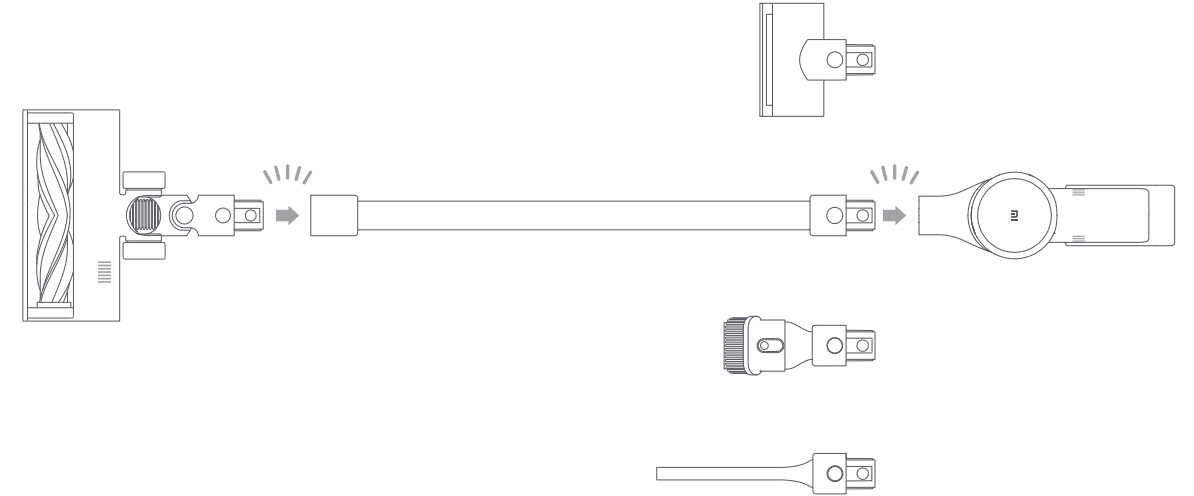


ملاحظة: إذا تعطلت المكنسة الكهربائية، ستعرض شاشة العرض رسالة خطأ. لحل ذلك، يُرجى الرجوع إلى قسم استكشاف الأعطال وإصلاحها.

طريقة التركيب



تثبيت الملحقات في المكنسة الكهربائية

أدخل الملحقات إلى أن تستقر في مكانها



ملاحظة: لا يمكن استخدام الفرشاة الكهربائية الصغيرة مع ذراع التمديد.

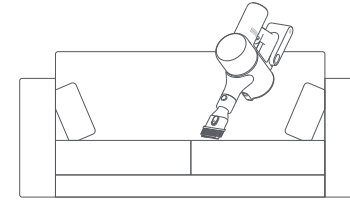
2. الوضع المستمر

اضغط على الزر  لتمكين الوضع المستمر، ثم اضغط على زر الطاقة لتشغيل المكنسة الكهربائية. للخروج من الوضع المستمر، اضغط على الزر . يتيح تمكين الوضع المستمر للمكنسة الكهربائية العمل بشكل مستمر دون الحاجة إلى الضغط باستمرار على زر الطاقة، مما يساعد على تحرير أصابعك.

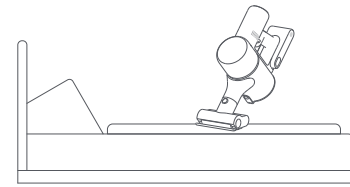
ملاحظات: في الوضع المستمر، ستدخل المكنسة الكهربائية في وضع الاستعداد عند الضغط على زر الطاقة وستأنف التشغيل في حالة الضغط على الزر مرة أخرى. عندما تظل المكنسة الكهربائية في وضع الاستعداد لأكثر من 10 ثوانٍ، ستنطفئ شاشة العرض وستخرج المكنسة الكهربائية من الوضع المستمر.

استخدام ملحقات مختلفة

فوهة فرشاة 2 في 1: لتنظيف الستائر، والأرائك، والديكورات الداخلية للسيارة، وطاولات القهوة، وما إلى ذلك بالمكنسة الكهربائية.






الفرشاة الكهربائية الصغيرة: لتنظيف الأوساخ، وشعر الحيوانات الأليفة، وغيرها من الحطام الصعب من الأرائك، والفرش، والأسطح النسيجية الأخرى.



ملاحظات:


- إذا علق أي جزء دوار، فقد تتوقف المكنسة الكهربائية تلقائياً. أزل أي أجسام غريبة عالقة، ثم استأنف استخدامها.
- عند ارتفاع درجة حرارة المحرك، ستتوقف المكنسة الكهربائية تلقائياً. انتظر حتى تعود درجة حرارة البطارية إلى وضعها الطبيعي، ثم استأنف الاستخدام.

إعداد اللغة

اضغط مع الاستمرار على الزر  لمدة 3 ثوانٍ لفتح قائمة اللغات، ثم اضغط على الزر  للتمرير عبر اللغات لتحديد اللغة المطلوبة. اضغط مع الاستمرار على الزر  لمدة ثانيتين لاستخدام اللغة المحددة.

ملاحظة: سوف تنطفئ شاشة العرض إذا لم تكن هناك عملية تشغيل لأكثر من 10 ثوانٍ.

تبديل مستويات الشفط

اضغط على الزر  لتبديل مستويات الشفط من الطاقة البيئية والقياسية/التلقائية، والعالية. سيتم تحديد مستوى الشفط المقابل على شاشة العرض.

فقط عند استخدام شريط الفرشاة ذي عزم الدوران العالي الذكي، سيتم تنشيط الوضع التلقائي وسيظهر إشعار "Auto" (تلقائي) على شاشة العرض. ستقوم المكنسة الكهربائية بعد ذلك بتبديل مستوى الشفط تلقائياً بين الأرض/البلاط والسجاد.

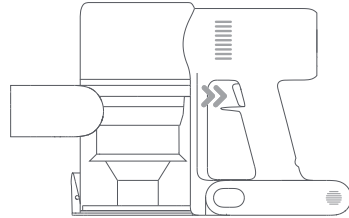
ملاحظة: أوقف المكنسة الكهربائية في أي وقت أثناء التنظيف، ستستمر في استخدام آخر مستوى شفط محدد عند بدء التشغيل مرة أخرى.

أوضاع العمل

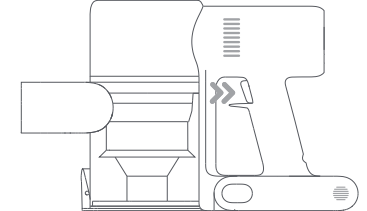
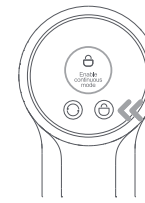
تحتوي المكنسة الكهربائية على وضعي عمل، يمكنك اختيار الوضع المطلوب بناءً على احتياجات التنظيف الخاصة بك.

1. الوضع غير المستمر

اضغط مع الاستمرار على زر الطاقة لبدء تشغيل المكنسة الكهربائية، ثم حرره لإيقافها.



الوضع غير المستمر



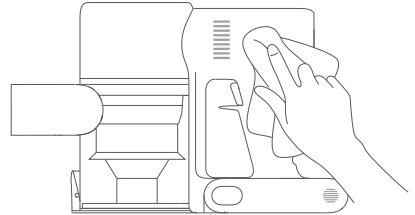
الوضع المستمر

احتياطات الصيانة

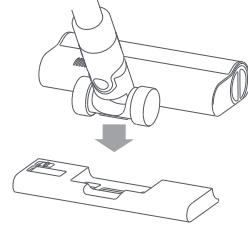
- استخدم دائمًا قطع الغيار الأصلية لإبقاء الضمان ساريًا.
- إذا انسد الفلتر أو ذراع التمديد أو شريط الفرشاة ذي عزم الدوران العالي الذكي، فسوف تتوقف المكنسة الكهربائية عن العمل بعد قليل. لاستعادة وظائفها، نظف المكون المسدود.
- إذا لن يتم استخدام المكنسة الكهربائية لفترة طويلة، قم بشحنها بالكامل وفصلها عن الطاقة ثم تخزينها في بيئة باردة منخفضة الرطوبة بعيدًا عن أشعة الشمس المباشرة. لتجنب شحن البطارية المفرط، أعد شحن المكنسة الكهربائية مرة واحدة على الأقل كل ثلاثة أشهر.

تنظيف المكنسة الكهربائية

امسح المكنسة الكهربائية باستخدام قطعة قماش جافة وناعمة.



3. قم بتثبيت شريط الفرشاة ذي عزم الدوران العالي الذكي بخزان المياه عن طريق محاذاة المغناطيس على كل مكون حتى يلتصقان معًا.



4. تم تصميم هذه الوظيفة لكس ومسح الأرضيات الخشبية والبلاط.

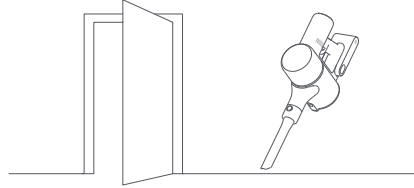


ملاحظات:

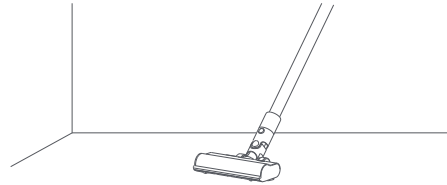
- يتحكم صمام الكرة بخزان المياه في كمية الماء التي يتم صرفها. الكرة جزء متحرك وقد يصدر صوت تدرج عند بدء التشغيل والتوقف. وهذا أمر طبيعي.
- عند عدم الاستخدام، يُرجى بقاء المفتاح على وضع إيقاف التشغيل.

استخدام ملحقات مختلفة

شق فوهة: لتنظيف الشقوق الضيقة، والمناطق المحيطة بالأبواب، والنوافذ، والألواح الأساسية، والزوايا، والسلالم، وما إلى ذلك.



شريط الفرشاة ذو عزم الدوران العالي الذكي: لتنظيف مختلف أنواع الأرضيات مثل الخشب الرخام والبلاط والسجاد القصير. عند تفعيل الوضع التلقائي، يمكن للمكنسة الكهربائية ضبط مستوى الشفط تلقائيًا حسب نوع السطح.



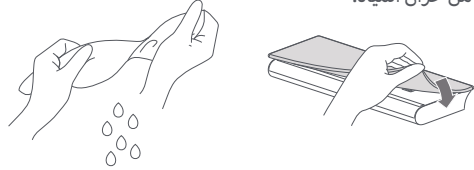
ملاحظة: يمكن توصيل شريط الفرشاة ذي عزم الدوران العالي الذكي مباشرة بالمكنسة الكهربائية.

استخدام وظيفة المسح

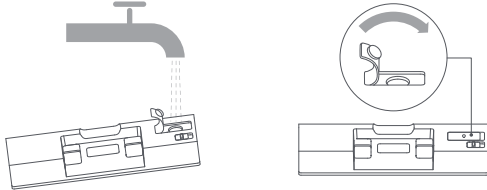
ملاحظات:

- لا تقف على خزان المياه، فقد يؤدي ذلك إلى إتلافه بشكل دائم.
- يجب تنظيف الأرضيات المتسخة بشدة قبل المسح للحصول على نتيجة أفضل.
- لا تستخدم وظيفة المسح على السجاد.
- تجنب استخدام المنظفات أو المطهرات.

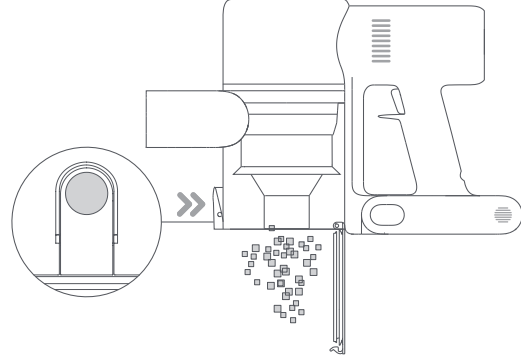
1. بلل الممسحة وتخلص من الماء الزائد، ثم قم بتثبيتها بإحكام في الجزء السفلي من خزان المياه.



2. افتح قابس خزان المياه، وأضف كمية مناسبة من الماء النظيف، ثم أغلق القابس.

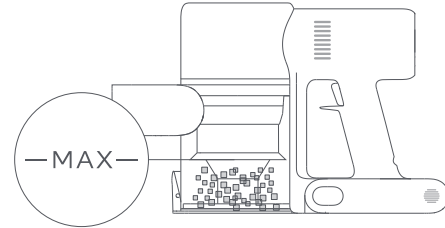


2. اضغط على زر تحرير الغطاء السفلي للغبار، ثم أفرغ المحتويات.

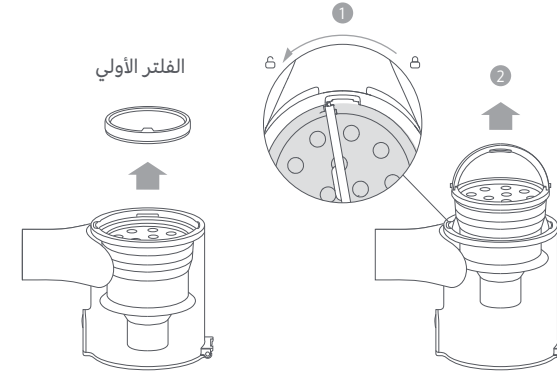


تنظيف حجرة الغبار والفلتر الأولي ومجموعة الفرازة المخروطية

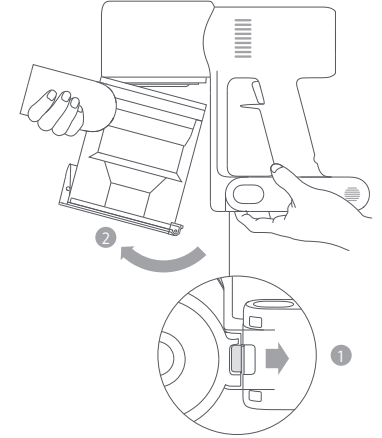
1. ستتنخفض قدرة تنظيف المكنسة الكهربائية عند امتلاء حجرة الغبار إلى علامة الحد الأقصى "MAX". لاستعادة القدرة على الأداء، قم بتفريغ حجرة الغبار في الوقت المناسب. قبل تفريغ الحجرة، تأكد من فصل المكنسة الكهربائية عن مصدر الطاقة ولا تضغط على زر الطاقة بها.



4. أزل الفلتر الأولي أولاً، ثم ارفع مقبض مجموعة الفرازة المخروطية، وادره في عكس اتجاه عقارب الساعة حتى يتوقف ثم اسحبه لرفع مجموعة الفرازة المخروطية.



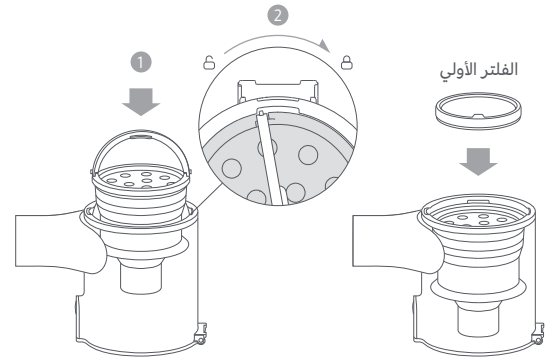
3. ادفع مفتاح تحرير حجرة الغبار في الاتجاه الذي يشير إليه السهم، بعدها، قم بإزالة حجرة الغبار برفق من المكنسة الكهربائية.



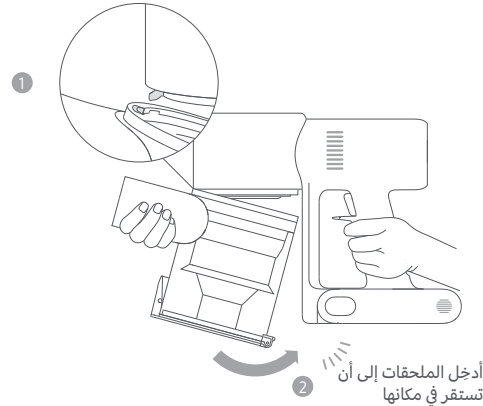
مفتاح تحرير حجرة الغبار

تثبيت حجرة الغبار والفلتر الأولي ومجموعة الفرازة المخروطية

1. قم بإدخال مجموعة الفرازة المخروطية عمودياً في حجرة الغبار، وتأكد من أن مقبض مجموعة الفرازة المخروطية يصطف مع الفتحة الموجودة على الجانب الأيسر من حجرة الغبار. لف المقبض في اتجاه عقارب الساعة حتى يُقفل، ثم اقلب المقبض لأسفل.
2. ضع الفلتر الأولي بحيث يكون جانبه الأمامي مواجهًا لأعلى بمجموعة الفرازة المخروطية.



3. قم بإمالة حجرة الغبار قليلاً حتى تتوافق فتحتها مع المشبك الموجود على المكنسة الكهربائية. ثم ادفع حجرة الغبار برفق حتى تثبت في مكانها.



5. اشطف الفلتر الأولي ومجموعة الفرازة المخروطية وحجرة الغبار بالماء حتى تصبح نظيفة، ثم ضع كل مكون جانبا حتى يجف تماما لمدة 24 ساعة على الأقل.



حجرة الغبار مجموعة فرازة مخروطية الفلتر الأولي

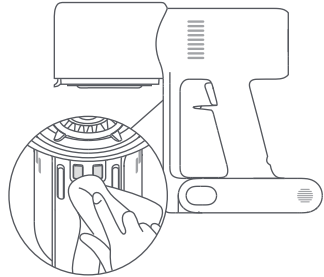
ملاحظات:

- لا تستخدم المنظفات أو الملمعات أو معطرات الجو لتنظيف حجرة الغبار.
- لا تقم بتنظيف حجرة الغبار أو الفلتر الأولي أو مجموعة الفرازة المخروطية في غسالة الصحون أو غسالة الملابس، ولا تحاول تجفيف أي مكون في آلة تجفيف الملابس أو فرن أو ميكروويف أو بالقرب من مصدر لهب.

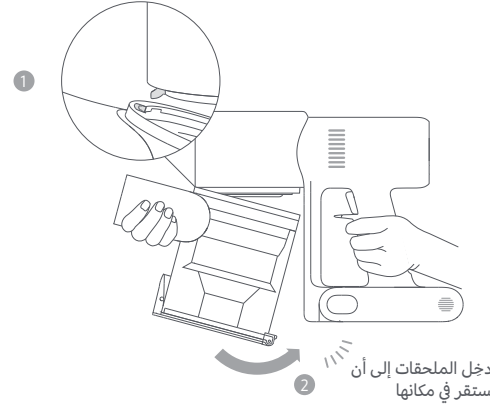
ملاحظات:

- يجب شطف حجرة الغبار مرة واحدة على الأقل في الشهر.
- يجب تنظيف الفلتر الأولي ومجموعة الفرازة المخروطية مرة كل 3 إلى 4 أشهر.

- امسح نقاط التلامس في المكنسة الكهربائية بقطعة قماش جافة وناعمة إذا كانت متسخة.



2. قم بإعادة تثبيت حجرة الغبار.



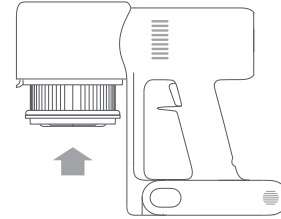
أدخل الملحقات إلى أن تستقر في مكانها

4. دع فلتر تنقية جسيمات الهواء (HEPA) بكفاءة عالية يجف تمامًا لمدة 24 ساعة على الأقل.



تثبيت فلتر تنقية جسيمات الهواء (HEPA) بكفاءة عالية

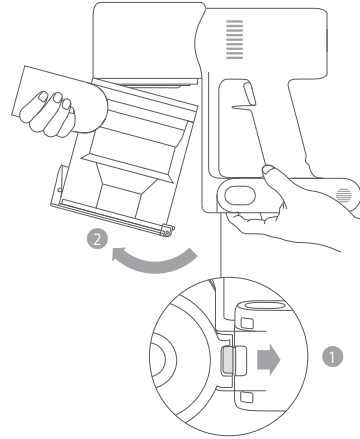
1. أدخل فلتر تنقية جسيمات الهواء (HEPA) بكفاءة عالية في المكنسة الكهربائية واضغط لأسفل برفق، كما هو موضح.



تنظيف فلتر تنقية جسيمات الهواء (HEPA) بكفاءة عالية

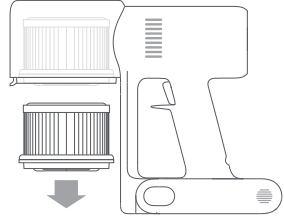
ملاحظة: يوصى بتنظيف فلتر تنقية جسيمات الهواء (HEPA) بكفاءة عالية مرة كل 4 إلى 6 أشهر.

1. أزل حجرة الغبار كما هو مبين في الصورة.



مفتاح تحرير حجرة الغبار

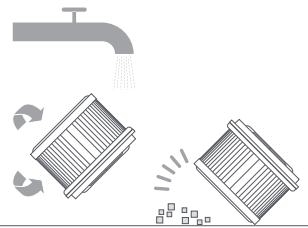
2. أزل فلتر تنقية جسيمات الهواء (HEPA) بكفاءة عالية من المكنسة الكهربائية عن طريق سحبه لأسفل في الاتجاه الموضح في الشكل.



3. نظف فلتر تنقية جسيمات الهواء (HEPA) بكفاءة عالية بالماء النظيف. تأكد من لف فلتر تنقية جسيمات الهواء (HEPA) بكفاءة عالية بزواوية 360 درجة لإزالة جميع الغبار العالق في الفلتر. اضغط عدة مرات على الفلتر برفق لإزالة أي أوساخ زائدة.

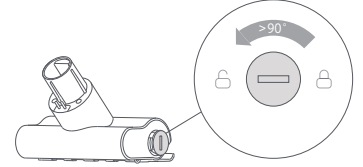
ملاحظات:

- استخدم الماء النظيف فقط لتنظيف الفلتر. لا تستخدم المنظفات.
- لا تحاول تنظيف فلتر تنقية جسيمات الهواء (HEPA) بكفاءة عالية بفرشاة أو إصبعك.

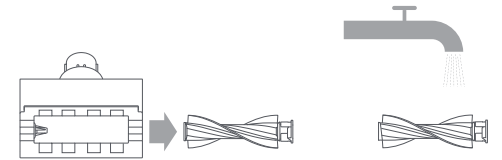


تنظيف الفرشاة الكهربائية الصغيرة

1. استخدم عملة معدنية لتدوير القفل عكس اتجاه عقارب الساعة حتى تسمع صوت نقرة.



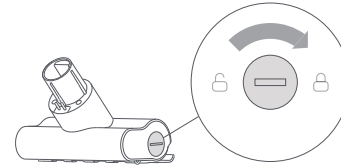
2. بعد فتح الفرشاة الدوارة، اخلعها من الفرشاة الكهربائية الصغيرة، ثم قم بشطف وتنظيف الفرشاة الدوارة.



3. بعد الغسيل، دع الفرشاة الدوارة تجف جيدًا عن طريق وضعها واقفة في منطقة جيدة التهوية لمدة 24 ساعة على الأقل.

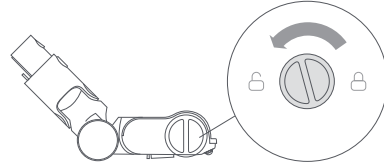


4. بمجرد جفاف عمود الفرشاة الدوارة، أعد تركيبها باتباع خطوات التفكيك بشكل عكسي.

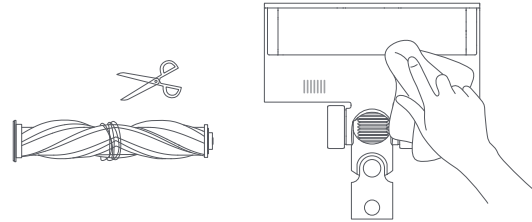


تنظيف شريط الفرشاة ذو عزم الدوران العالي الذكي

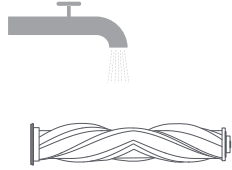
1. أدر القفل في عكس اتجاه عقارب الساعة حتى يتوقف، ثم أزل الفرشاة الأسطوانية من شريط الفرشاة ذو عزم دوران عالي.



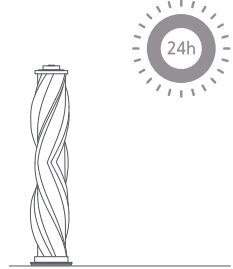
2. استخدم المقص لقطع والتقاط أي شعر أو مخلفات متشابكة حول الفرشاة الدوارة. امسح أي غبار زائد من الفتحة ونظف الغطاء البلاستيك باستخدام قطعة قماش جافة أو منشفة ورقية.



3. بعد الاستخدام الممتد، قد تصبح الفرشاة الدوارة متسخة ويجب غسلها.



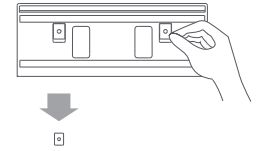
4. بعد الغسيل، دع الفرشاة الدوارة تجف جيدًا عن طريق وضعها واقفة في منطقة جيدة التهوية لمدة 24 ساعة على الأقل.



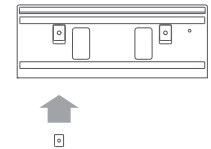
فلتر موزع الماء

يجب استبدال فلتر موزع الماء إذا كان خزان المياه يوزع المياه ببطء شديد أو أصبح مسدودًا. لضمان الفاعلية المثلى للمسح، يوصى باستبدال فلتر موزع المياه مرة كل 3 إلى 6 أشهر حسب جودة المياه وتواتر استخدامها.

1. استخدم أصابعك لسحب فلتر موزع المياه القديمة على الجانبين الأيسر والأيمن من كل فتحة.



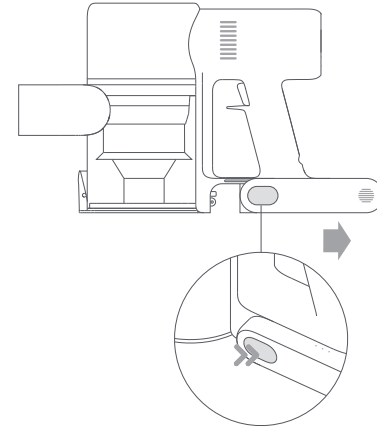
2. أدرج فلتر موزع المياه الجديدة وافحصها لتتأكد من تثبيتها بصورة صحيحة.



علبة البطارية

تحتوي المكنسة الكهربائية على علبة بطارية ليثيوم أيون القابلة للإزالة وإعادة الشحن والتي تحتوي على عدد محدود من دورات إعادة الشحن. بعد الاستخدام الممتد، قد لا تحتفظ علبة البطارية بشحنة واحدة. وفي حال حدوث هذا الأمر، تكون علبة البطارية قد وصلت إلى نهاية دورة عمرها التشغيلي وتحتاج إلى استبدالها.

1. اضغط لأسفل على زر تحرير علبة البطارية واسحب البطارية إلى اليمين، كما هو موضح، لإزالتها.
2. ثبت علبة البطارية الجديدة.

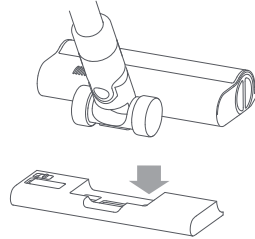


تنظيف خزان المياه والممسحة

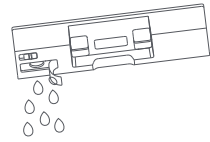
ملاحظات:

- أثناء شحن المكنسة الكهربائية أو عدم استخدامها، قم بإزالة خزان المياه واصرف أي مياه متبقية لمنع الروائح الفطرية أو العالقة.
- يجب استبدال الممسحة المهترئة أو التالفة التي لم تعد تلتصق بخزان المياه لضمان أداء التنظيف الأمثل.

1. اسحب خزان المياه لأسفل لفكها من شريط الفرشاة ذو عزم الدوران العالي الذكي.



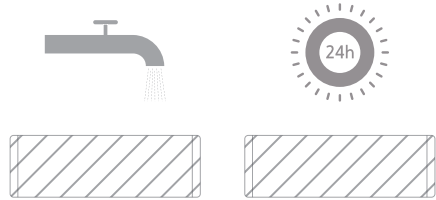
2. فرغ خزان المياه.



3. قم بإزالة الممسحة من خزان المياه.



4. قم بتنظيف لوحة الممسحة وتجفيفها.



مكنسة كهربائية			
30.8 فولت ===	جهد الشحن	MJSCXCQPT	الطراز
450 واط	الطاقة المقدّرة	25.2 فولت ===	الجهد المقدّر
4 ساعات تقريباً	مدة الشحن	3000 مللي أمبير/ساعة	السعة الاستيعابية الطبيعية
256 × 214 × 1286 مم	أبعاد المنتج	السعة القصوى: 0.6 لتر	سعة حجرة الغبار
		4.2 كجم	الوزن الصافي

شريط الفرشاة ذو عزم الدوران العالي الذكي		فرشاة كهربائية صغيرة	
G10-01	الطراز	1C-02	الطراز
40 واط	الطاقة المقدّرة	20 واط	الطاقة المقدّرة
25.2 فولت ===	الجهد المقدّر	25.2 فولت ===	الجهد المقدّر

شاحن			
87.5%	متوسط الكفاءة النشطة	Zhongshan Baolijin Electronic Co., Ltd.	الجهة المصنّعة
77.9%	الكفاءة عن الحمولة المنخفضة (10%)	BLJ24W308080P-V	الطراز
0.10 واط	استهلاك الطاقة بدون حمولة	100-240 فولت~ 50/60 هرتز 0.8 أمبير	الإدخال
		30.8 فولت === 0.8 أمبير 24.6 واط	الإخراج

علبة بطارية ليثيوم أيون القابلة للشحن			
3000 مللي أمبير/ساعة	السعة الاستيعابية الاسمية	P2046-7S1P-BC/P2046-7S1P-BCA	طراز البطارية
2800 مللي أمبير/ساعة	تصنيف السعة	25.2 فولت ===	الجهد الاسمي
		70.56 واط/الساعة	الطاقة

تحتوي علبة بطارية ليثيوم أيون على مواد خطيرة على البيئة. قبل التخلص من المكنسة الكهربائية، يرجى أولاً إزالة علبة البطارية، ثم التخلص منها أو إعادة تدويرها وفقاً للقوانين واللوائح المحلية للبلد أو المنطقة التي تستخدم فيها.

معلومات WEEE (نفايات المعدات الكهربائية والإلكترونية)

جميع المنتجات التي تحمل هذا الرمز هي نفايات المعدات الكهربائية والإلكترونية (WEEE) وفقاً لتوجيه (EU/2012/19) التي لا ينبغي أن تختلط بالنفايات المنزلية التي لم يتم فرزها. وبدلاً من ذلك، يجب حماية صحة الإنسان والبيئة بتسليم معدات النفايات إلى نقطة تجميع مخصصة معينة من قبل الحكومة أو السلطات المحلية لإعادة تدوير نفايات المعدات الكهربائية والإلكترونية. سيساعد التخلص الصحيح وإعادة التدوير على منع النتائج السلبية المحتملة على البيئة وصحة الإنسان. يرجى الاتصال بشركة التركيب أو السلطات المحلية للحصول على مزيد من المعلومات حول الموقع بالإضافة إلى شروط وأحكام نقاط التجميع هذه.



خطأ	السبب المحتمل	الحل
المكنسة الكهربائية لا تعمل.	بطارية المكنسة فارغة أو منخفضة.	اشحن المكنسة بالكامل، ثم استأنف التشغيل.
	تم تشغيل وضع الحماية من السخونة الزائدة الناجمة عن انسداد.	انتظر إلى أن تبرد المكنسة الكهربائية ثم أعد تنشيطها.
	تعرضت فتحة الشفط أو ممر الهواء للمكنسة إلى الانسداد.	قم بإزالة أي حواجز من فتحة الشفط أو ممر الهواء.
انخفضت قوة الشفط.	حجرة الغبار ممتلئة و/أو الفلتر مسدود.	أفرغ حجرة الغبار ونظف الفلتر.
	شريط الفرشاة ذي عزم الدوران العالي الذكي و/أو ذراع التمديد مسدود.	أزل أي عوائق من شريط الفرشاة ذي عزم الدوران العالي الذكي و/أو ذراع التمديد.
يصدر المحرك ضجيجًا غريبًا.	تعرضت فتحة الشفط الرئيسية أو ذراع التمديد إلى الانسداد.	أزل أي حواجز موجودة في فتحة الشفط الرئيسية أو ذراع التمديد.
يضيئ المؤشر الأول باللون الأحمر بعد تشغيل المكنسة الكهربائية.	علبة البطارية تالفة.	يرجى الاتصال بقسم خدمة ما بعد البيع للصيانة.
يومض المؤشر الأول باللون الأحمر عند شحن المكنسة الكهربائية.	الشاحن غير متوافق.	لا تستخدم سوى الشاحن الأصلي لشحن المكنسة الكهربائية.

خطأ	السبب المحتمل	الحل
لا يضيئ مؤشر البطارية أثناء الشحن.	الشاحن ليس موصلًا بالمكنسة الكهربائية.	تأكد من أن الشاحن موصل بشكل صحيح.
	البطارية مشحونة بالكامل ودخلت في وضع السكون.	يمكن استخدام المكنسة الكهربائية في الوضع الطبيعي.
	إذا استمرت المشكلة بعد استبعاد الاحتمالين المذكورين أعلاه، فيرجى الاتصال بخدمة ما بعد البيع للحصول على المساعدة.	
البطارية تشحن ببطء.	درجة حرارة البطارية مرتفعة أو منخفضة للغاية.	انتظر إلى أن تصبح درجة حرارة البطارية طبيعية، ثم عاود الاستخدام.
لا يوزع خزان المياه الماء أو أنه يوزعه ببطء.	تعرض فلتر موزع المياه للانسداد.	نظف فلتر موزع المياه أو استبدله.
	الممسحة متسخة.	نظف الممسحة أو استبدلها.

استكشاف الأخطاء وإصلاحها

إذا لم تعمل المكنسة الكهربائية بشكل صحيح، ستعرض شاشة العرض رسالة خطأ. يرجى الرجوع إلى جدول استكشاف الأخطاء وإصلاحها أدناه للعثور على الحل الخاص بك بناءً على رسالة الخطأ.

رمز الخطأ	رسالة خطأ	الحل
	تعرض ممر الهواء للانسداد	أزل أي عوائق من حجرة الغبار، وزراع التمديد و/أو شريط الفرشاة ذي عزم الدوران العالي الذكي.
	بطارية منخفضة	أعد شحنها في وقت قريب.
	نظف شريط الفرشاة	راجع "تنظيف شريط الفرشاة ذي عزم الدوران العالي الذكي" بقسم العناية والصيانة للحصول على إرشادات حول كيفية إزالة الشعر والأوساخ الأخرى العالقة في الفرشاة الدوارة.
	البطارية فارغة.	أعد شحنها في وقت قريب.
	درجة حرارة البطارية مرتفعة	انتظر إلى أن تصبح درجة حرارة البطارية طبيعية، قبل معاودة الاستخدام.
	خطأ	يرجى الاتصال بقسم خدمة ما بعد البيع للصيانة.
	الفلتر لم يثبت.	تأكد من تثبيت فلتر تنقية جسيمات الهواء (HEPA) بكفاءة عالية والفلتر الأولي بطريقة صحيحة.

Veiligheidsinstructies

Dit product is alleen bestemd voor huishoudelijk gebruik. Lees de handleiding vóór gebruik zorgvuldig door en bewaar deze om later te kunnen raadplegen.

Dit apparaat kan worden gebruikt door kinderen van 8 jaar en ouder en door personen met een fysieke, zintuiglijke of mentale beperking of gebrek aan ervaring en kennis, mits ze onder toezicht staan of instructies hebben ontvangen met betrekking tot het veilige gebruik van het apparaat en de gevaren hiervan begrijpen. Kinderen mogen niet met het apparaat spelen. Reiniging en gebruiksonderhoud mogen niet worden uitgevoerd door kinderen die niet onder toezicht staan.

Het apparaat mag alleen worden gebruikt met de voedingseenheid die bij het apparaat wordt meegeleverd. Deze stofzuiger is geen speelgoed. Kinderen mogen niet met dit product spelen of het bedienen. Wees voorzichtig wanneer u de stofzuiger in de buurt van kinderen gebruikt. Laat kinderen de stofzuiger niet schoonmaken of onderhouden, tenzij ze onder toezicht staan van een ouder of voogd.

Gebruik de stofzuiger alleen op droge oppervlakken binnenshuis. Plaats, laad of gebruik dit product niet buitenshuis, in badkamers of bij een zwembad.

Raak de stekker of onderdelen van de stofzuiger niet aan met natte handen.

Om het risico op brand, explosie of persoonlijk letsel te beperken, moet u vóór gebruik controleren of de lithium-ionbatterij en oplader onbeschadigd zijn. Gebruik de stofzuiger niet als de batterij of de oplader is beschadigd.

De slimme borstelstang met hoge koppel, de elektrische miniborstel, de batterij, de verlengstang en de stofzuiger zijn elektrisch geleidend en mogen niet worden ondergedompeld in water of andere vloeistoffen. Zorg ervoor dat alle onderdelen goed droog zijn nadat u ze hebt schoongemaakt.

Om letsel door bewegende onderdelen te voorkomen, moet u de stofzuiger uitschakelen voordat u de slimme borstelstang met hoge koppel en de elektrische miniborstel reinigt. De slimme borstelstang met hoge koppel, het stofcompartiment en het filter moeten allemaal juist zijn geplaatst voordat u de stofzuiger gebruikt.

Gebruik alleen de originele oplader (model: BLJ24W308080P-V) die met dit product is meegeleverd.

Veiligheidsinstructies

Gebruik alleen het goedgekeurde batterijtype (model P2046-7S1P-BC/P2046-7S1P-BCA). Wanneer de oplader of batterij beschadigd raakt, moet deze worden vervangen door een origineel onderdeel dat is aangeschaft bij de fabrikant of de klantenservice.

Gebruik de stofzuiger niet om ontvlambare of brandbare vloeistoffen op te zuigen, zoals benzine, bleekmiddel, ammoniak of afvoerreinigers. Gebruik de stofzuiger ook niet om andere vloeistoffen op te zuigen, zoals water.

Gebruik de stofzuiger niet om gipsplaatdeeltjes, as van bijvoorbeeld de open haard of rokende of brandende materialen, zoals kolen, sigarettenpeuken of lucifers, op te zuigen.

Gebruik de stofzuiger niet om scherpe of harde voorwerpen op te zuigen, zoals glas, spijkers, schroeven of munten, die het product kunnen beschadigen.

Houd haar, loszittende kleding, vingers en andere lichaamsdelen uit de buurt van de openingen en bewegende delen van de stofzuiger. Richt de aanzuigopening, het verlengstuk of andere accessoires niet op uw ogen of oren en stop ze niet in uw mond.

Steek geen voorwerp in de openingen van de stofzuiger en gebruik de stofzuiger ook niet als een opening is geblokkeerd. Houd de opening vrij van stof, pluisjes, haar of andere voorwerpen die de luchtstroom kunnen belemmeren.

Plaats de stofzuiger niet tegen een stoel, tafel of andere onstabiele oppervlakken, aangezien dit schade aan het product of persoonlijk letsel kan veroorzaken. Neem contact op met de geautoriseerde serviceafdeling als de stofzuiger niet goed functioneert omdat hij is omgestoten of beschadigd. Probeer nooit zelf de stofzuiger uit elkaar te halen.

Alle instructies in de gebruikershandleiding voor het opladen van het product moeten strikt worden gevolgd. Als de stofzuiger niet juist wordt opgeladen binnen het gespecificeerde temperatuurbereik, kan de batterij beschadigd raken.

Gebruik alleen de originele oplader om het product op te laden in omgevingen met een omgevingstemperatuur van 0 °C tot 40 °C. Doet u dit niet, dan kan de batterij beschadigd raken.

Gebruik alleen accessoires en vervangende onderdelen die door Xiaomi zijn goedgekeurd.

De klep van het stofcompartiment, het voorfilter, de cyclooneenheid en het HEPA-filter moeten allemaal juist worden geplaatst voordat de stofzuiger in gebruik wordt genomen.

Zorg ervoor dat de stekker van de stofzuiger uit het stopcontact is gehaald als u hem langere tijd niet gebruikt of voordat u onderhoud of reparaties uitvoert.

Wees extra voorzichtig als u de stofzuiger gebruikt om trappen schoon te maken.

Waarschuwing voor brandgevaar: Breng geen geparfumeerde substantie aan op het filter van de stofzuiger. Van dit soort producten is bekend dat ze ontvlambare chemicaliën bevatten die ervoor kunnen zorgen dat de stofzuiger vlam vat.

Wanneer de batterij niet in gebruik is, houd deze dan uit de buurt van alle metalen voorwerpen, zoals paperclips, munten, sleutels, spijkers of schroeven. Kortsluiting tussen de polen van de batterij verhoogt het risico op brand of brandwonden.

In ernstige omstandigheden kan er vloeistof uit de batterij worden gespoten. Vermijd blootstelling aan vloeistoffen, aangezien dit irritatie of brandwonden kan veroorzaken. Spoel met water na eventuele blootstelling. Zoek medische hulp als er vloeistof in de ogen komt.

Stel de batterij en het apparaat NIET bloot aan vuur, aangezien dit een explosie kan veroorzaken.

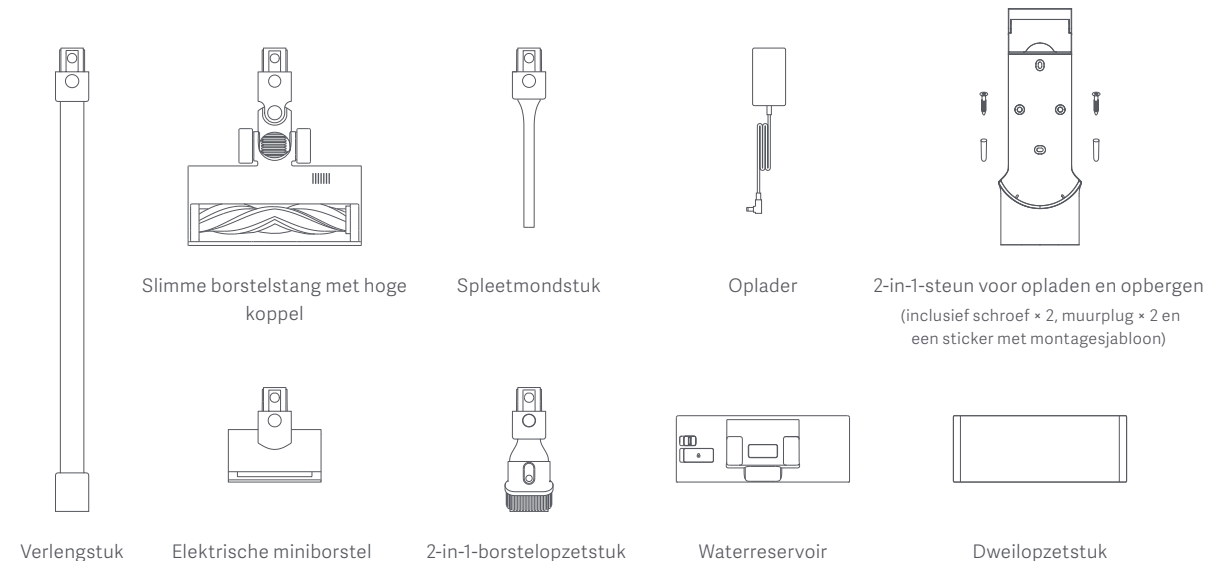
Stel de batterij en het apparaat NIET bloot aan (zout) water of andere vloeistoffen en dompel ze niet onder.

Wij Dreame (Tianjin) Information Technology Co., Ltd. verklaren hierbij dat dit apparaat voldoet aan de toepasselijke richtlijnen en Europese normen en amendementen. De volledige tekst van de EU-conformiteitsverklaring is beschikbaar op het volgende internetadres: <http://www.mi.com/global/service/support/declaration.html>

Een uitgebreide elektronische handleiding vindt u op www.mi.com/global/service/userguide

Productoverzicht

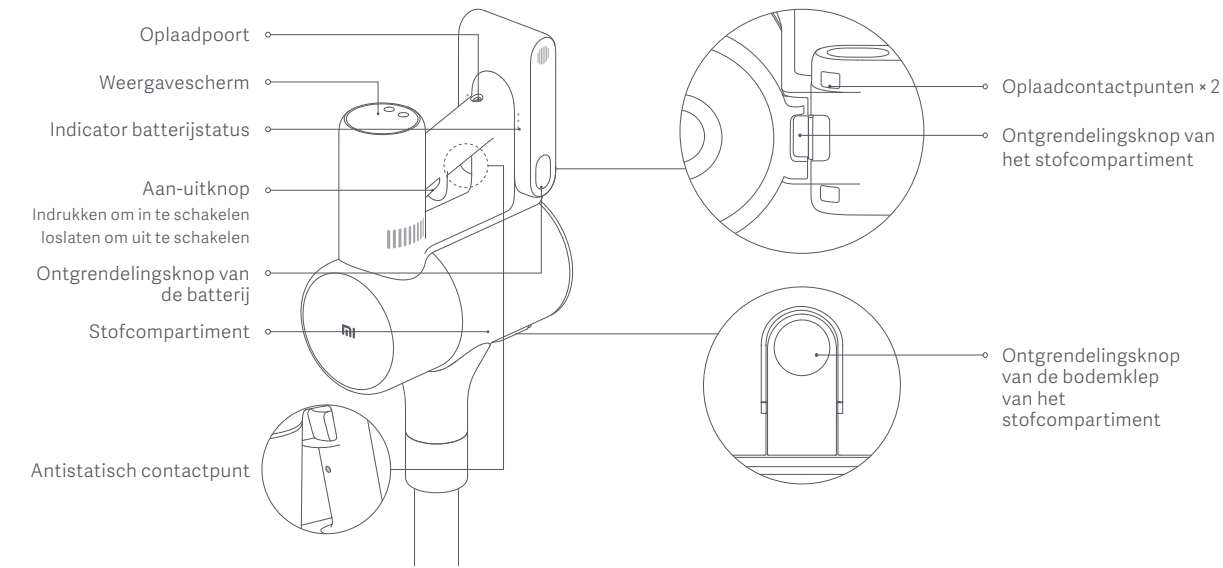
Lijst met accessoires



Opmerking: Afbeeldingen van het product, accessoires en UI in de gebruikershandleiding zijn alleen ter referentie. Het daadwerkelijke product en de functionaliteit kunnen variëren door productverbeteringen.

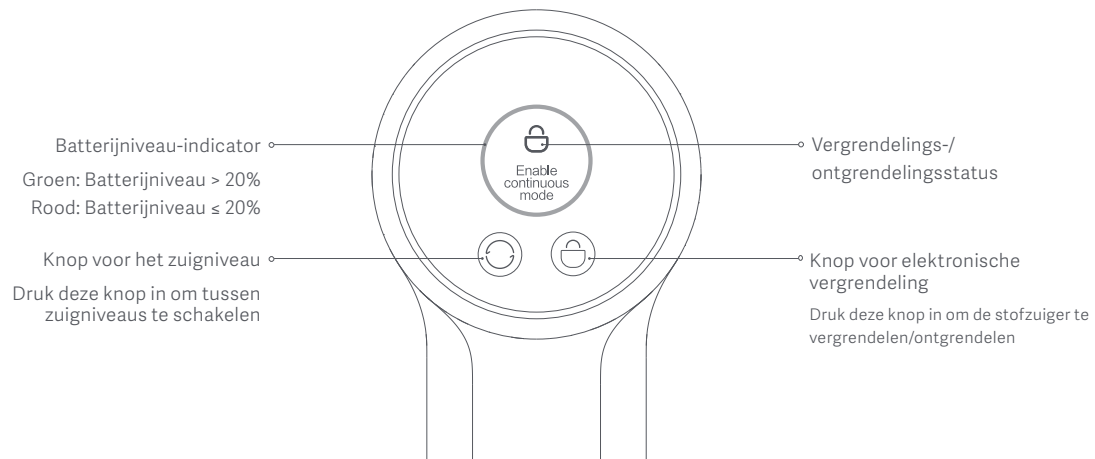
Productoverzicht

Naam van onderdeel



Productoverzicht


Weergavescherm

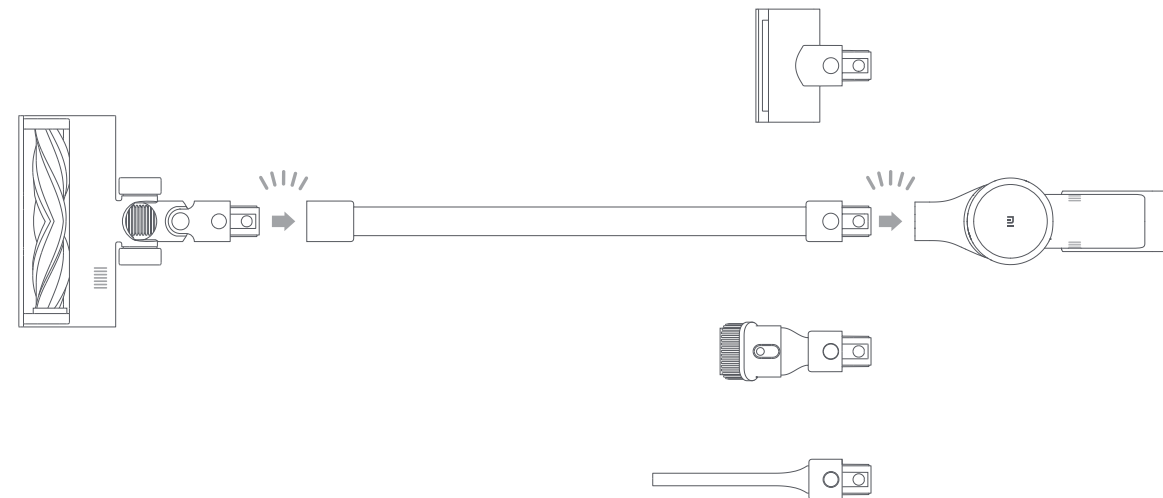


Opmerking: Als de stofzuiger een storing heeft, wordt er op het scherm een foutmelding weergegeven. Raadpleeg het gedeelte Problemen oplossen voor het vinden van de juiste oplossing.

Installatie

De accessoires op de stofzuiger plaatsen

 Insteken totdat deze op zijn plaats klikt

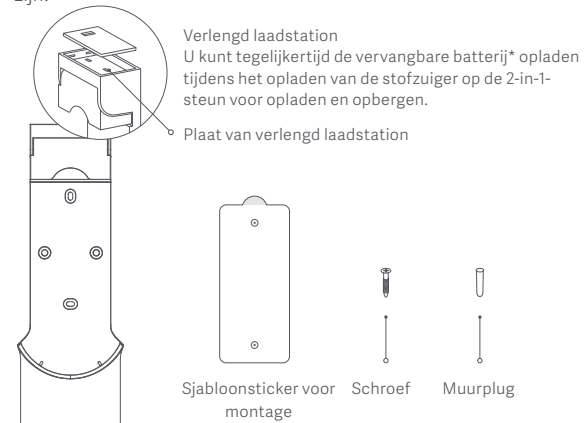


Opmerking: De elektrische miniborstel mag niet met het verlengstuk worden gebruikt.

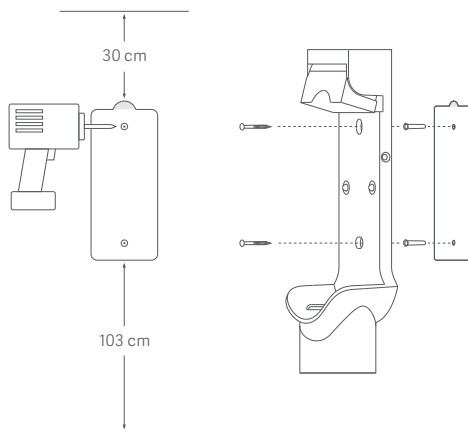
Installatie

De 2-in-1-steun voor opladen en opbergen installeren

1. De 2-in-1-steun voor opladen en opbergen moet op een koele, droge plaats worden geïnstalleerd met een stopcontact in de buurt. Controleer vóór de installatie of er zich geen draden of leidingen bevinden in de ruimte direct achter de plaats waar de steun zal worden geïnstalleerd.
2. De onderkant van de sticker met montagesjabloon moet waterpas zijn en zich minstens 1,03 m van de grond bevinden. Daarnaast moet er minstens 30 cm vrije ruimte boven de sticker zijn.



3. Gebruik een boormachine met een boor van 8 mm om een gat in elke gatmarkering op de sticker met montagesjabloon te boren en steek daarna in elk gat een muurplug.
4. Lijn de montagegaten op de 2-in-1-steun voor opladen en opbergen uit met de gaten in de muur en bevestig de steun vervolgens aan de muur met de meegeleverde schroeven.



Aanbevolen hoogte: Minstens 1,03 meter vanaf de vloer

Opladen

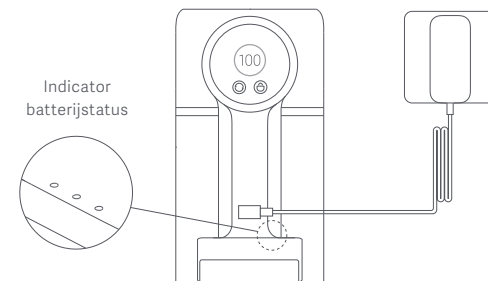
Indicator batterijstatus

- Uit
 - ☀ Knipperend
 - Aan
- ☀ ○ ○ Batterij bijna leeg
 - ☀ ○ Batterij is halfleeg
 - ● ☀ Bijna vol
 - ● ● Volledig opgeladen

Zodra de stofzuiger volledig is opgeladen, gaat het indicatielampje na 5 minuten uit en schakelt de stofzuiger over naar de energiebesparende modus.

Weergavescherm

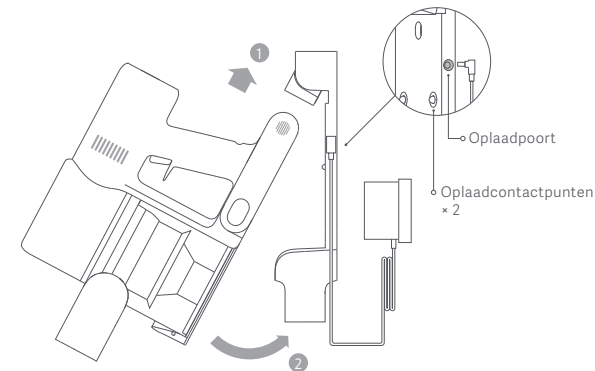
Tijdens het opladen geeft het getal op het scherm het huidige batterijniveau weer in procenten. Als het getal 100 is, is de batterij volledig opgeladen.



De stofzuiger opladen met de oplader

Opmerkingen:




- Laad de stofzuiger vóór het eerste gebruik volledig op. Dit duurt ongeveer 4 uur.
- Tijdens het opladen kan de stofzuiger niet worden gebruikt.
- Door langdurig stofzuigen op het hoogste zuigniveau zal de batterij warmer worden, waardoor de oplaadtijd kan toenemen. Het is aanbevolen de stofzuiger eerst 30 minuten te laten afkoelen voordat u de stofzuiger oplaadt.



De stofzuiger opladen via de steun voor opladen


Gebruik

Taal instellen

Houd de knop  3 seconden ingedrukt om de lijst met talen te openen. Druk vervolgens op de knop  om door de talen te scrollen en de gewenste taal te selecteren. Houd de knop  2 seconden ingedrukt om de geselecteerde taal te gebruiken.

Opmerking: Het weergavescherm wordt uitgeschakeld wanneer er langer dan 10 seconden geen handeling wordt uitgevoerd.

Schakelen tussen de zuigniveaus

Druk op de knop  om tussen de zuigkrachtniveaus eco, standaard/automatisch en hoog vermogen te schakelen. Het bijbehorende zuigniveau wordt aangegeven op het weergavescherm.

Alleen bij het gebruik van de slimme borstelstang met hoge koppel wordt de automatische modus geactiveerd en verschijnt de melding 'Auto' op het scherm. De stofzuiger past dan automatisch het zuigniveau aan tussen de vloer/tegels en het tapijt.

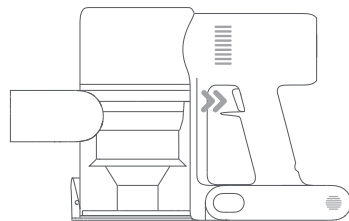
Opmerkingen: U kunt de stofzuiger tijdens het schoonmaken op elk gewenst moment uitschakelen. Wanneer u hem weer inschakelt, zal het laatst geselecteerde zuigniveau worden gebruikt.

Werkingsmodi

De stofzuiger heeft twee werkingsmodi die u kunt selecteren, afhankelijk van hoe u wilt schoonmaken.



1. Niet-continue modus

Houd de aan-uitknop ingedrukt om de stofzuiger in te schakelen en laat de knop weer los om hem te laten stoppen met stofzuigen.

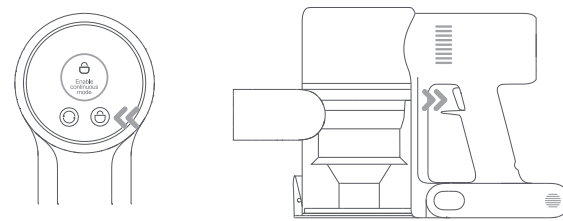


Niet-continue modus

2. Continue modus

Als de stofzuiger in de stand-by modus staat, drukt u op de knop  om de Continue modus in te schakelen. Druk vervolgens op de aan-uitknop om de stofzuiger in te schakelen. Om de Continue modus te verlaten, drukt u op de knop .

Wanneer u de Continue modus inschakelt, kan de stofzuiger continu werken zonder dat u de aan-uitknop ingedrukt hoeft te houden, zodat u uw vinger kunt loslaten.



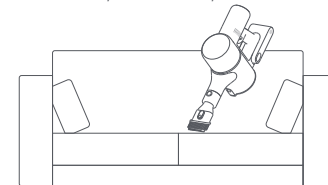
Continue modus

Opmerkingen:

- In de Continue modus gaat de stofzuiger naar de stand-by modus wanneer u de aan-uitknop indrukt en gaat hij verder als u nogmaals op de knop drukt.
- Als de stofzuiger langer dan 10 seconden in de stand-by modus staat, gaat het weergavescherm uit en sluit de stofzuiger de Continue modus af.

Verschillende accessoires gebruiken

2-in-1-borstelopzetstuk: Voor het stofzuigen van gordijnen, banken, auto-interieurs, salontafels, etc.



Elektrische miniborstel: Voor het opzuigen van vuil, haren van huisdieren en ander hardnekkig vuil van banken, beddengoed en andere stoffen oppervlakken.



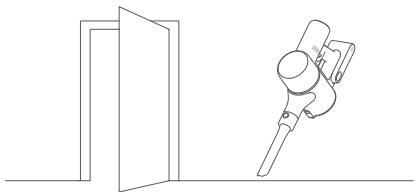
Opmerkingen:

- Als een draaiend onderdeel vast komt te zitten, wordt de stofzuiger mogelijk automatisch uitgeschakeld. Verwijder vastzittende voorwerpen en ga verder met stofzuigen.
- Als de motor oververhit raakt, wordt de stofzuiger automatisch uitgeschakeld. Wacht tot de temperatuur van de batterij weer normaal is en ga daarna verder met stofzuigen.

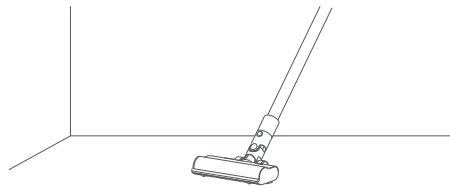
Gebruik

Verschillende accessoires gebruiken

Spleetmondstuk: Voor het stofzuigen van smalle spleten en gebieden rond deuren, ramen, plinten, hoeken, trappen, etc.



Slimme borstelstang met hoge koppel: Voor het reinigen van verschillende soorten vloeren zoals hout, marmer, tegels en kortpolig tapijt. Als de Automatische modus is geactiveerd, past de stofzuiger automatisch het zuigniveau aan het type oppervlak aan.



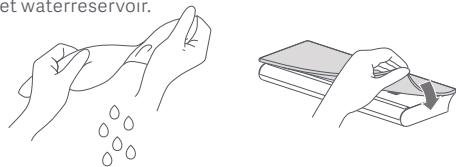
Opmerking: De slimme borstelstang met hoge koppel kan rechtstreeks op de stofzuiger worden aangesloten.

De dweilfunctie gebruiken

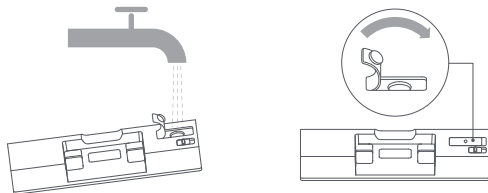
Opmerkingen:

- Stap niet op het waterreservoir; dit kan het waterreservoir permanent beschadigen.
- Sterk vervuilde vloeren moeten vóór het dweilen worden gestofzuigd voor een beter resultaat.
- Gebruik de dweilfunctie niet op tapijt.
- Gebruik geen reinigings- of ontsmettingsmiddelen.

1. Maak het dweilopzetstuk vochtig en wring het overtollige water eruit. Bevestig het dweilopzetstuk vervolgens stevig aan de bodem van het waterreservoir.

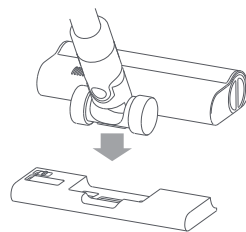


2. Open de stop van de watertank, voeg een passende hoeveelheid schoon water toe en sluit de stop.

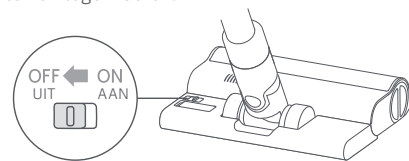


Gebruik

3. Bevestig de slimme borstelstang met hoge koppel aan het waterreservoir door de magneten van elk onderdeel uit te lijnen totdat ze in elkaar klikken.



4. Deze functie is bedoeld voor het stofzuigen en afnemen van hardhouten en tegelvloeren.



Opmerkingen:

- De kogelklep in het waterreservoir regelt hoeveel water er wordt afgegeven. De kogel is een bewegend onderdeel en kan een rollend geluid maken bij het in- en uitschakelen van de stofzuiger. Dit is normaal.
- Schakel de stofzuiger UIT wanneer u hem niet gebruikt.

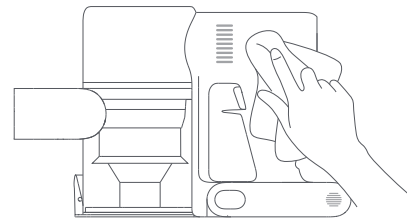
Verzorging en onderhoud

Voorzorgsmaatregelen voor het onderhoud

- Gebruik altijd originele onderdelen om te voorkomen dat uw garantie komt te vervallen.
- Wanneer het filter, de verlengstang of de slimme borstelstang met hoge koppel verstopt raakt, stopt de stofzuiger met werken. Reinig het verstopte onderdeel om het gebruik van de stofzuiger te hervatten.
- Als de stofzuiger gedurende langere tijd niet wordt gebruikt, laadt u hem volledig op, haalt u de stekker uit het stopcontact en bewaart u de stofzuiger in een koele omgeving met lage vochtigheid en uit de buurt van direct zonlicht. Om overmatige ontlading van de batterij te voorkomen, dient u de stofzuiger ten minste eens in de drie maanden op te laden.

De stofzuiger reinigen

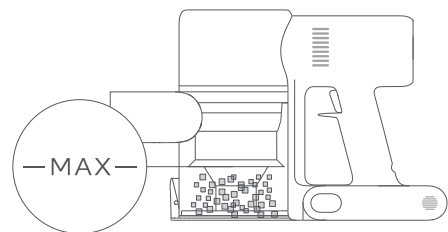
Veeg de stofzuiger af met een zachte, droge doek.



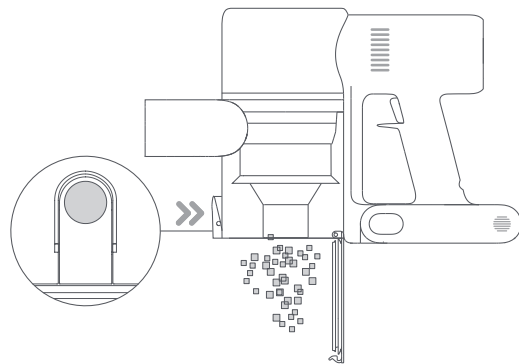
Verzorging en onderhoud

Het stofcompartiment, het voorfilter en de cycloneenheid reinigen

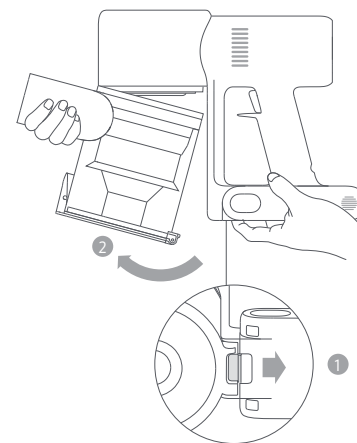
1. Het reinigende vermogen van de stofzuiger wordt verminderd als het stofcompartiment tot de 'MAX'-markering is gevuld. Dit kunt u voorkomen door het stofcompartiment tijdig te legen. Zorg ervoor dat de stofzuiger niet is verbonden met het stroomnet wanneer u het compartiment leegt en druk niet op de aan-uitknop.



2. Druk op de ontgrendelingsknop van de bodemklep van het stofcompartiment en verwijder de inhoud.

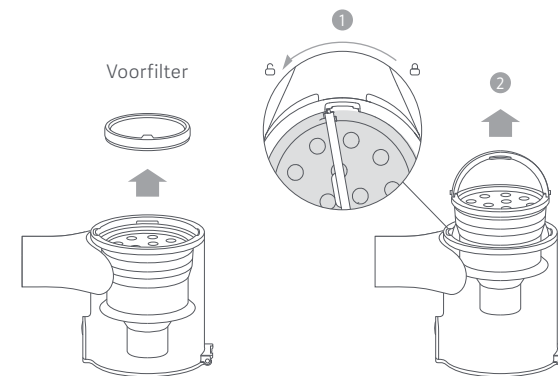


3. Druk de ontgrendelingsknop van het stofcompartiment in de richting van de pijl en verwijder het stofcompartiment voorzichtig uit de stofzuiger.



Ontgrendelingsknop van het stofcompartiment

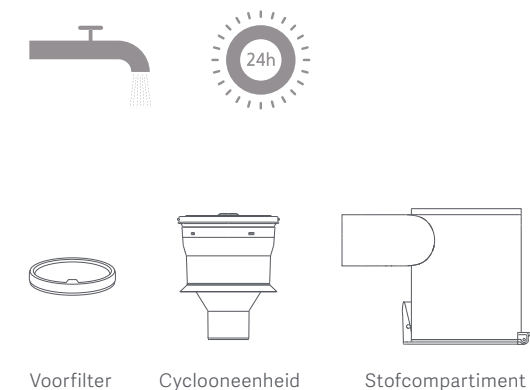
4. Verwijder eerst het voorfilter, til vervolgens de hendel van de cycloneenheid op en draai deze tegen de klok in tot de hendel niet verder kan. Vervolgens trekt u aan de hendel om de cycloneenheid te verwijderen.



Voorfilter

Verzorging en onderhoud

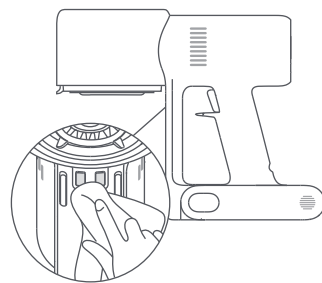
5. Spoel het voorfilter, de cyclooneenheid en het stofcompartiment met water tot deze schoon zijn. Leg vervolgens elk onderdeel weg en laat ze minstens 24 uur drogen.



Opmerkingen:

- Het stofcompartiment moet minstens één keer per maand worden uitgespoeld.
- Het voorfilter en de cyclooneenheid moeten eens in de 3 tot 4 maanden worden gereinigd.

Veeg eventuele vuile contactpunten van de stofzuiger af met een zachte, droge doek.

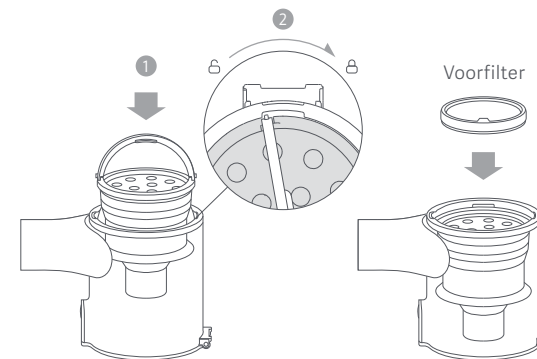


Opmerkingen:

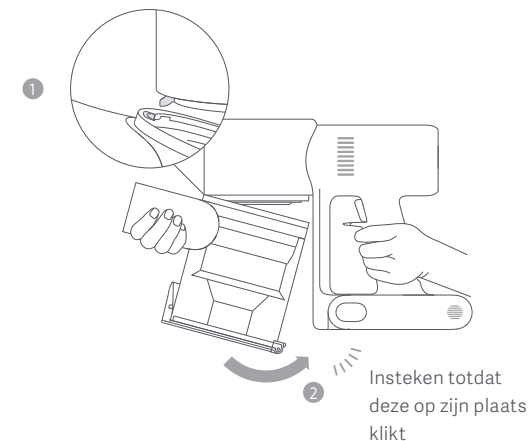
- Gebruik geen schoonmaakmiddelen, poetsmiddelen of luchtverfrissers om het stofcompartiment te reinigen.
- Reinig het stofcompartiment, het voorfilter of de cyclooneenheid niet in een vaatwasser of wasmachine, en droog geen onderdelen in een wasdroger, oven, magnetron of in de buurt van open vuur.

Het stofcompartiment, het voorfilter en de cyclooneenheid installeren

1. Steek de cyclooneenheid verticaal in het stofcompartiment en zorg ervoor dat de hendel van de cyclooneenheid is uitgelijnd met de gleuf aan de linkerkant van het stofcompartiment. Draai de hendel met de klok mee totdat deze vastklikt en klap de hendel daarna omlaag.
2. Plaats het voorfilter met de voorkant naar boven in de cyclooneenheid.



3. Kantel het stofcompartiment een beetje, zodat de sleuf is uitgelijnd met de clip op de stofzuiger. Duw vervolgens het stofcompartiment voorzichtig totdat het op zijn plaats klikt.

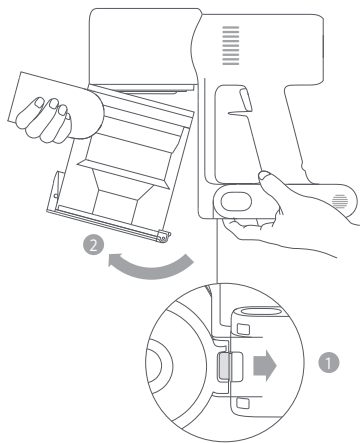


Verzorging en onderhoud

Het HEPA-filter reinigen

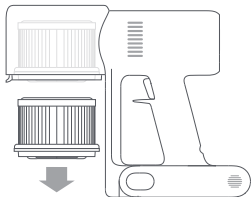
Opmerking: Het wordt aanbevolen om het HEPA-filter eens in de 4 tot 6 maanden te reinigen.

1. Verwijder het stofcompartiment zoals in de afbeelding wordt weergegeven.



Ontgrendelingsknop van het stofcompartiment

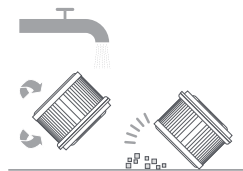
2. Verwijder het HEPA-filter uit de stofzuiger door het naar beneden te trekken in de richting die in de afbeelding wordt weergegeven.



3. Reinig het HEPA-filter met schoon water. Zorg ervoor dat u het HEPA-filter 360 graden draait om al het stof dat in het filter vastzit grondig te verwijderen. Tik een paar keer zachtjes op het filter om overtollig vuil te verwijderen.

Opmerkingen:

- Gebruik alleen schoon water om het filter te reinigen. Gebruik geen schoonmaakmiddel.
- Probeer het HEPA-filter niet met een borstel of de vingers te reinigen.

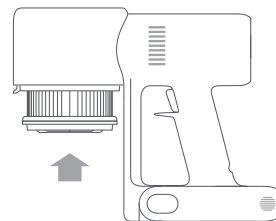


4. Laat het HEPA-filter minstens 24 uur helemaal drogen.

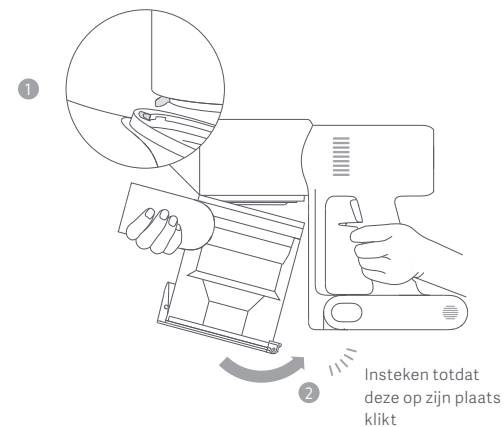


Het HEPA-filter plaatsen

1. Plaats het HEPA-filter in de stofzuiger en druk het voorzichtig omlaag, zoals in de afbeelding wordt aangegeven.



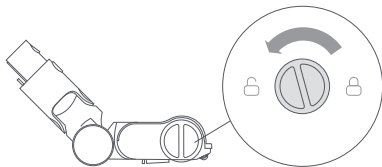
2. Plaats het stofcompartiment opnieuw.



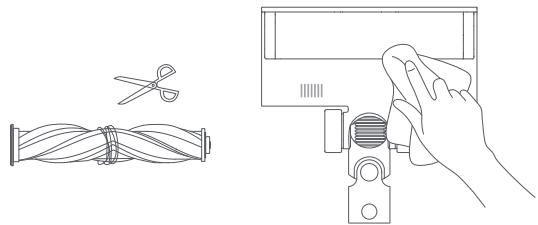
Verzorging en onderhoud

De slimme borstelstang met hoge koppel reinigen

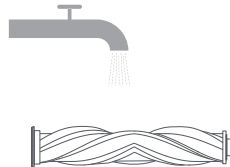
1. Draai de vergrendeling tegen de klok in totdat deze niet meer verder kan en verwijder vervolgens de rolborstel van de borstelstang met hoge koppel.



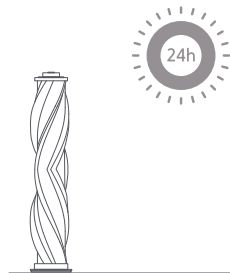
2. Gebruik een schaar om haar of ander vuil rond de borstel weg te knippen en eruit te halen. Veeg overtollig stof van de sleuf en de doorzichtige plastic klep met een droge doek of keukenrol.



3. Na langdurig gebruik kan de rolborstel vies worden, waarna deze moet worden gereinigd.

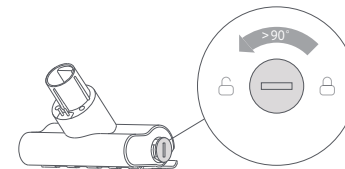


4. Laat de rolborstel na het reinigen goed drogen door deze minimaal 24 uur rechtop te zetten in een goed geventileerde ruimte.

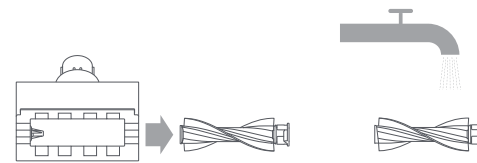


De elektrische miniborstel reinigen

1. Gebruik een munt om het slot tegen de klok in te draaien totdat u een klink hoort.



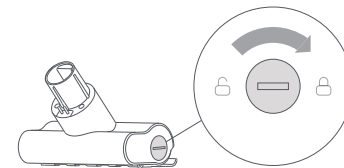
2. Na het ontgrendelen van de rolborstel, verwijdert u deze uit de elektrische miniborstel en reinigt en spoelt u de rolborstel.



3. Laat de rolborstel na het reinigen goed drogen door deze minimaal 24 uur rechtop te zetten in een goed geventileerde ruimte.



4. Zodra de rolborstel droog is, plaatst u deze weer door de stappen voor het loskoppelen in de omgekeerde volgorde uit te voeren.



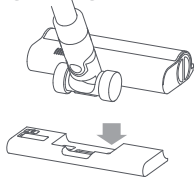
Verzorging en onderhoud

Het waterreservoir en het dweilopzetstuk reinigen

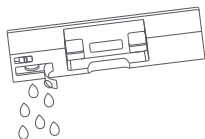
Opmerkingen:

- Wanneer de stofzuiger wordt opgeladen of niet wordt gebruikt, verwijdert u het waterreservoir en laat u het resterende water weglopen om schimmelvorming of onaangename geurtjes te voorkomen.
- Verwijder na het dweilen het dweilopzetstuk en maak deze schoon om te voorkomen dat de waterafvoer wordt geblokkeerd door vuil water.
- Een versleten of beschadigd dweilopzetstuk dat niet meer aan het waterreservoir blijft vastzitten, moet worden vervangen om zo goed mogelijke schoonmaakprestaties te behouden.

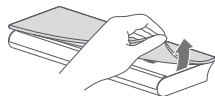
1. Maak het waterreservoir los door het omlaag te schuiven van de slimme borstelstang met hoge koppel.



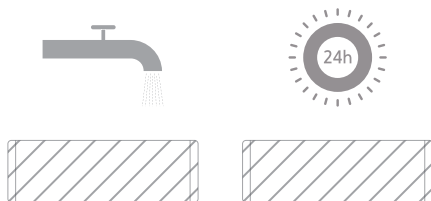
2. Maak het waterreservoir leeg.



3. Verwijder het dweilopzetstuk van het waterreservoir.



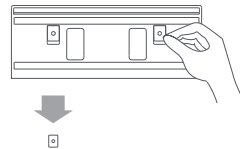
4. Reinig het dweilopzetstuk en laat dit drogen.



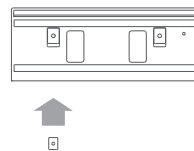
Het filter van de waterdispenser

Het filter van de waterdispenser moet worden vervangen als het waterreservoir te langzaam water afgeeft of verstopt raakt. Voor een optimale effectiviteit van het dweilen, is het raadzaam om de filters van de waterdispenser eens per 3 tot 6 maanden te vervangen, afhankelijk van de waterkwaliteit en de gebruiksfrequentie.

1. Gebruik uw vingers om oude filters van de waterdispenser aan de linker- en rechterkant van elke sleuf eruit te schuiven.



2. Plaats de nieuwe filters van de waterdispenser en controleer of ze juist zijn geplaatst.

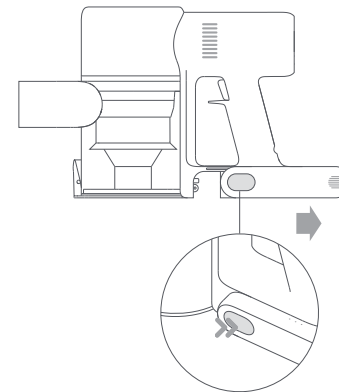


Batterij

De stofzuiger bevat een verwijderbare oplaadbare lithium-ionbatterij met een beperkt aantal oplaadcycli. Na langdurig gebruik is het mogelijk dat de batterij geen lading meer vasthoudt. Als dit gebeurt, betekent dit dat de batterij het einde van zijn levenscyclus heeft bereikt en moet worden vervangen.

1. Druk de ontgrendelingsknop van de batterij in en verwijder de batterij door deze naar rechts te schuiven, zoals op de afbeelding is aangegeven.

2. Plaats de nieuwe batterij.



Specificaties

Stofzuiger			
Model	MJSCXCQPT	Nominale spanning	25,2 V ===
Oplaadspanning	30,8 V ===	Nominale capaciteit	3000 mAh
Nominaal vermogen	450 W	Capaciteit van het stofcompartiment	Max. 0,6 L
Oplaadtijd	Ong. 4 uur	Nettogewicht	4,2 kg
Itemafmetingen	1286 × 214 × 256 mm		

Slimme borstelstang met hoge koppel		Elektrische miniborstel	
Model	G10-01	Model	1C-02
Nominaal vermogen	40 W	Nominaal vermogen	20 W
Nominale spanning	25,2 V ===	Nominale spanning	25,2 V ===

Oplader			
Geproduceerd door	Zhongshan Baolijin Electronic Co., Ltd.	Gemiddelde actieve efficiëntie	87.5%
Model	BLJ24W308080P-V	Efficiëntie bij lage lading (10%)	77.9%
Ingang	100–240 V ~ 50/60 Hz 0,8 A	Energieverbruik zonder lading	0,10 W
Uitgang	30,8 V=== 0,8 A 24,6 W		

Specificaties

Oplaadbare lithium-ionbatterij			
Batterijmodel	P2046-7S1P-BC/P2046-7S1P-BCA	Nominale capaciteit	3000 mAh
Nominale spanning	25,2 V ===	Nominaal vermogen:	2800 mAh
Stroomvoorziening	70,56 W		

De lithium-ionbatterij bevat stoffen die schadelijk zijn voor het milieu. Voordat u de stofzuiger weggooit, dient u eerst de batterij te verwijderen en deze weg te gooien of te recyclen in overeenstemming met de lokale wet- en regelgeving van het land of de regio waarin de stofzuiger wordt gebruikt.

AEEA-informatie



Alle producten met dit symbool behoren tot afgedankte elektrische en elektronische apparatuur (AEEA zoals in Richtlijn 2012/19/EU) en mogen niet worden vermengd met ongesorteerd huishoudelijk afval. In plaats daarvan moet u de volksgezondheid en het milieu beschermen door uw afgedankte apparatuur in te leveren bij een van de aangewezen inzamelpunten voor de recycling van afgedankte elektrische en elektronische apparatuur, ingericht door de overheid of plaatselijke autoriteiten. Correcte verwijdering en recycling zal mogelijk negatieve gevolgen voor het milieu en de algemene gezondheid helpen voorkomen. Neem contact op met de installateur of uw plaatselijke autoriteiten voor meer informatie over de locaties en de voorwaarden van deze inzamelpunten.



Veelgestelde vragen

Fout	Mogelijke oorzaken	Oplossing
De stofzuiger werkt niet.	De batterij is leeg of bijna leeg.	Laad de stofzuiger volledig op en hervat het gebruik.
	De stofzuiger schakelt over naar de oververhittingsbeschermingsmodus die wordt geactiveerd door een blokkering.	Wacht totdat de stofzuiger is afgekoeld en schakel hem daarna weer in.
	De aanzuigopening of luchtwegdoorgang is geblokkeerd.	Verwijder eventuele blokkades uit de aanzuigopening of de luchtwegdoorgang.
De zuigkracht neemt af.	Het stofcompartiment is vol en/of het filter is verstopt.	Maak het stofcompartiment leeg en maak het filter schoon.
	De slimme borstelstang met hoge koppel en/of de verlengstang is/zijn geblokkeerd.	Verwijder eventuele blokkades uit de slimme borstelstang met hoge koppel en/of de verlengstang.
De motor maakt een vreemd geluid.	De hoofdaanzuigopening of de verlengstang is geblokkeerd.	Verwijder eventuele blokkades uit de hoofdaanzuigopening of de verlengstang.
De eerste indicator is rood na het inschakelen van de stofzuiger.	De batterij is beschadigd.	Neem contact op met de klantenservice voor een onderhoudsbeurt.
De eerste indicator knippert rood tijdens het opladen van de stofzuiger.	De oplader is niet compatibel.	Gebruik alleen de originele oplader om de stofzuiger op te laden.

Fout	Mogelijke oorzaken	Oplossing
De batterij-indicator licht niet op tijdens het opladen.	De oplader is niet aangesloten op de stofzuiger.	Zorg ervoor dat de oplader juist is aangesloten.
	De batterij is volledig opgeladen en is overgeschakeld naar de slaapmodus.	De stofzuiger kan normaal worden gebruikt.
	Als het probleem zich blijft voordoen nadat u de bovenstaande twee mogelijkheden hebt uitgesloten, neem dan contact op met de klantenservice voor hulp.	
De batterij laadt langzaam op.	De temperatuur van de batterij is te hoog of te laag.	Wacht tot de temperatuur van de batterij weer normaal is en hervat daarna het gebruik.
Er komt langzaam of geen water uit het waterreservoir.	Het filter van de waterdispenser is verstopt.	Reinig of vervang het filter van de waterdispenser.
	Het dweilopzetstuk is vuil.	Reinig of vervang het dweilopzetstuk.

Problemen oplossen

Als de stofzuiger niet goed werkt, wordt op het scherm een foutmelding weergegeven. Raadpleeg de onderstaande tabel voor probleemoplossing om op basis van de foutmelding de juiste oplossing te vinden.

Foutpictogram	Foutbericht	Oplossing
	Luchtweg is geblokkeerd	Verwijder eventuele blokkades uit het stofcompartiment, de verlengstang en/of de slimme borstelstang met hoge koppel.
	Batterij bijna leeg	Laad de batterij zo snel mogelijk op.
	De rolborstel loopt vast.	Raadpleeg 'De slimme borstelstang met hoge koppel reinigen' onder het gedeelte Verzorging en onderhoud voor instructies over het verwijderen van haar en ander vuil dat vastzit in de rolborstel.
	De batterij is leeg	Laad de batterij zo snel mogelijk op.
	De batterij is oververhit	Wacht tot de temperatuur van de batterij weer normaal is voordat u de stofzuiger weer gebruikt.
	Fout	Neem contact op met de klantenservice voor een onderhoudsbeurt.
	Het filter is niet geplaatst	Zorg ervoor dat het HEPA-filter en het voorfilter juist zijn geplaatst.